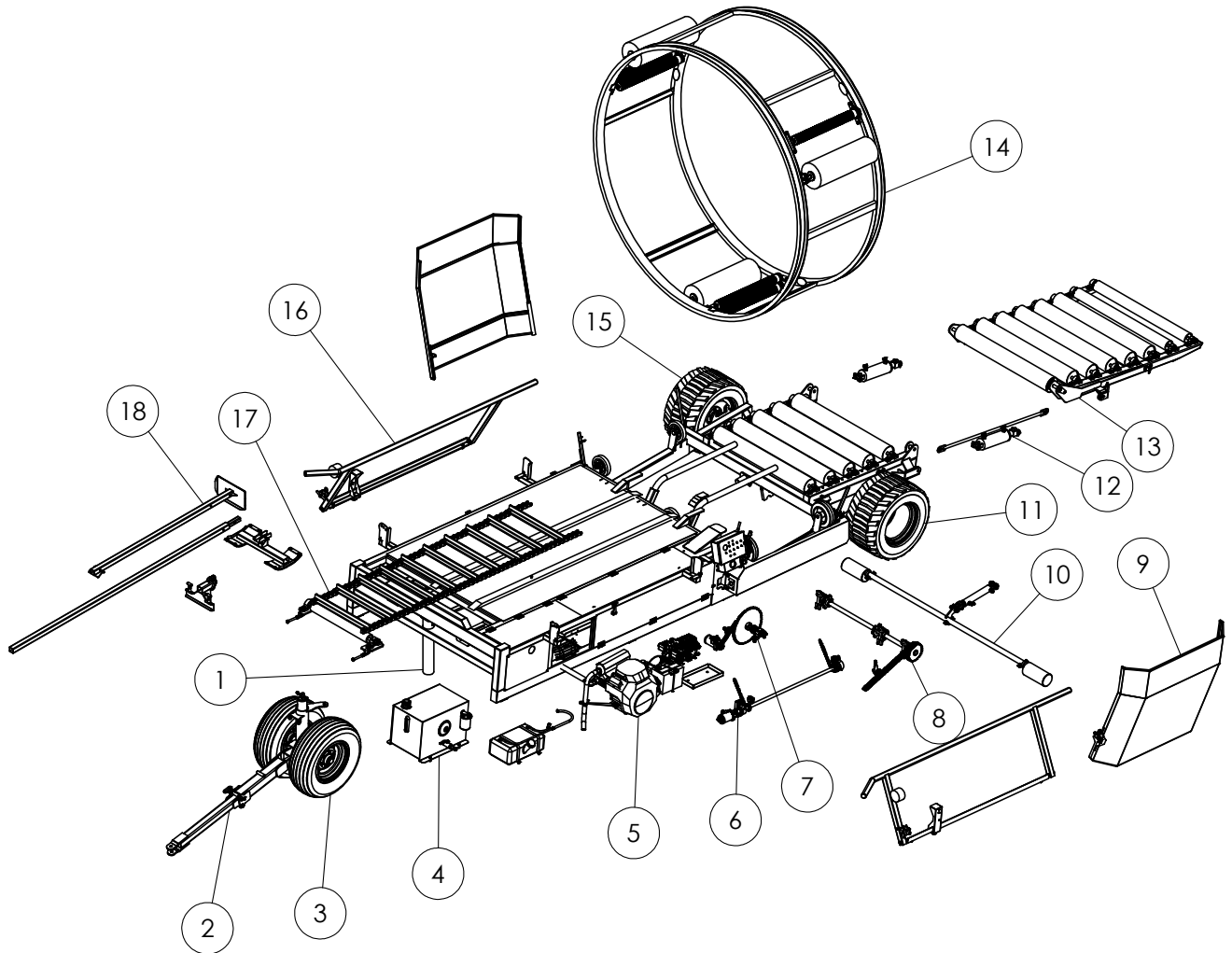


Kemco
Model 355 Bale Wrapper

Parts Manual



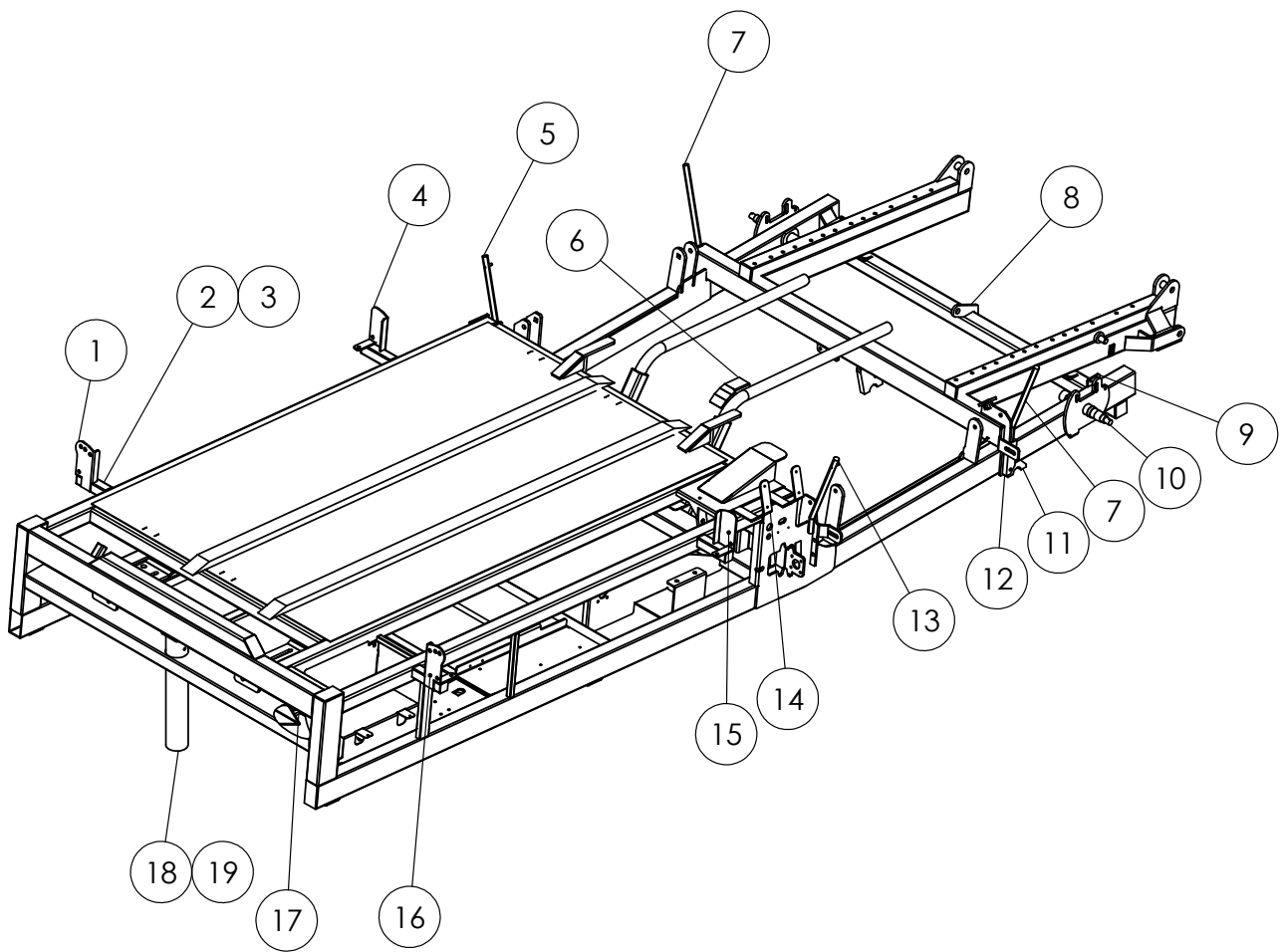
MODEL 355 BALE WRAPPER

Kemco Manufacturing, LLC

617 E. Plymouth Street
Bremen IN 46506

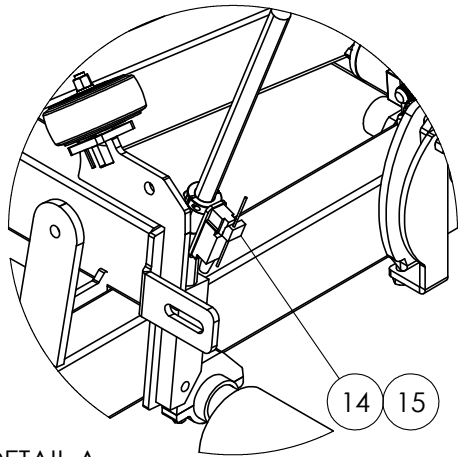
Table of Contents

Key #		Page #
1	Frame Assemblies	3
2	Tongue Assembly	7
3	Front Wheels	9
4	Hydraulic & Gas Tanks.	13
5	Engine Package & Hydraulic Controls	17
6	Hoop Drive Shaft	33
7	Jackshaft	35
8	Web Drive Shaft	37
9	Shields	39
10	Brake Assembly	53
11	Drive Wheel	45
12	Cylinders (In frame assembly)	5
13	Ramp & Tailgate	55
14	Hoop.	59
15	Right Rear Wheel	67
16	Bale Guides.	69
17	Web Chain	71
18	Clean-out Ram	75
19	Decals	79

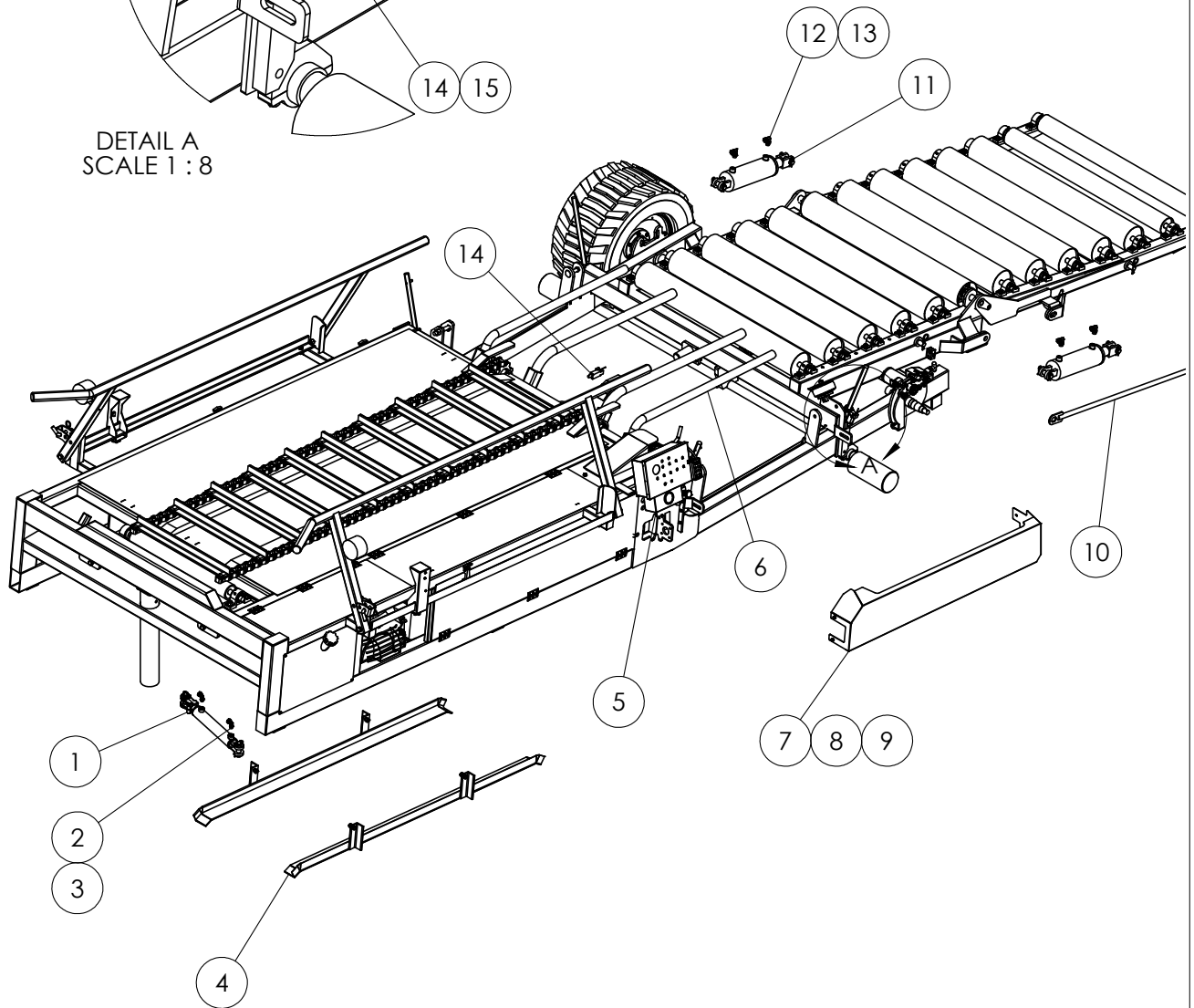


KBW MODEL 355
CHASSIS WELD PARTS

ITEM NO.	PART NUMBER	DESCRIPTION	QTY.
1	KBW1230-RH	BALE GUIDE ADJUSTMENT BRACKET	1
2	KBW10025	SUPPORT TUBES	4
3	KBW10074	END CAP	6
4	KBW1231-RH	BALE GUIDE ARM BRACKET	1
5	KBW1259-RH	HOOP SHIELD LATCH ROD, RH	1
6	KBW1095	FILM SENSOR SWITCH GUARD	1
7	KBW1296	HOOP SHIELD MOUNT, REAR	2
8	KBW1394	BRAKE RAM STA. MOUNT	1
9	KBW1125	LATCH PLATE TAB	1
10	EM5000S	SPINDLE, 2" X 12"	1
11	KBW1226	BRAKE MOUNT	2
12	KBW1216-A	MOUNT, BEARING	1
13	KBW1259-LH	HOOP SHIELD LATCH ROD, LH	1
14	KBW1096	MOUNT, CONTROL BOX	2
15	KBW1231-LH	BALE GUIDE ARM BRACKET	1
16	KBW1230-LH	BALE GUIDE ADJUSTMENT BRACKET	1
17	KBW1038	BRACKET, STEERING RAM	1
18	KBW1194	TUBE, DOLLIE WHEEL FRAME	1
19	KBW1056	CAP, FRONT SPINDLE TOP	1

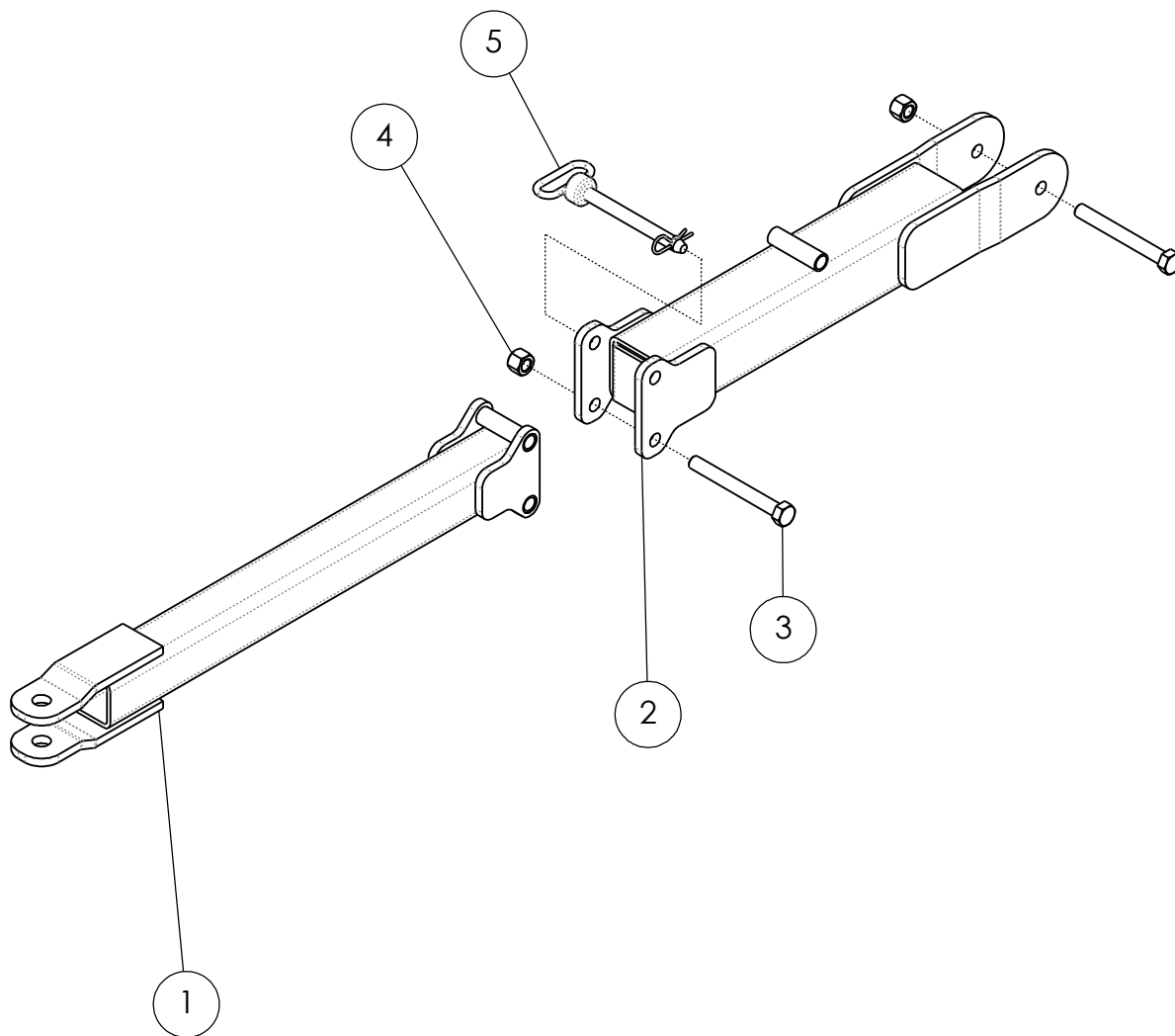


DETAIL A
SCALE 1 : 8



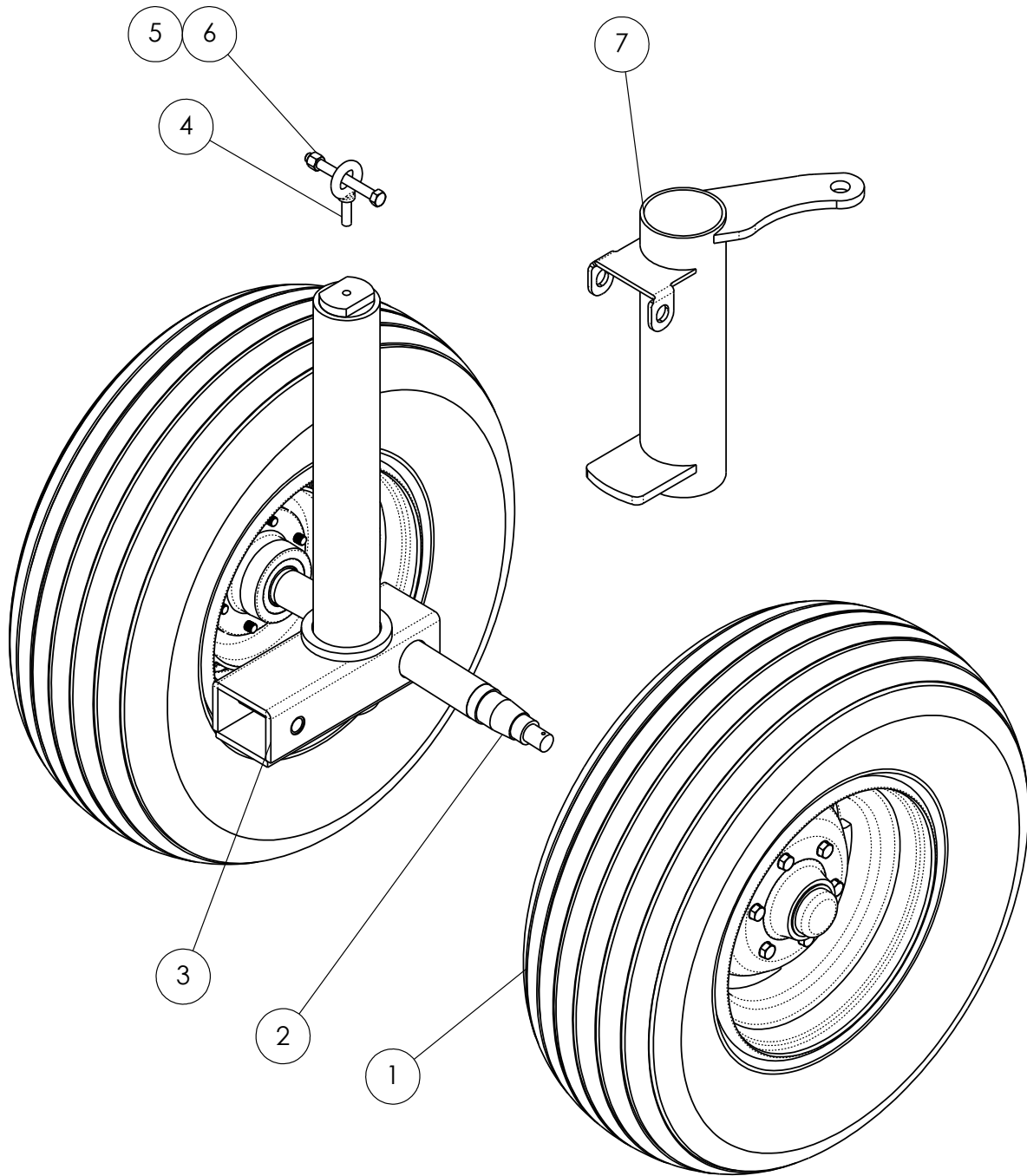
KBW MODEL 355 MISC. PARTS

ITEM NO.	PART NUMBER	DESCRIPTION	QTY.
1	DBH-2008-A	2" ROD X 8" STROKE HYDRAULIC CYLINDER	1
2	Y-6901-F-NWO-6-6	ADAPTER, 90°, 9/16" M O-RING - 3/8" FPT SWIVEL	2
3	4000-906	SEAL, O-RING BOSS	2
4	FEED WEB CARRIER	SEE PAGE #73	1
5	KBW062	CONTROL CONSOLE - SEE PAGE #25	1
6	KBW040914-00	REMOVABLE SPEAR OPTION	2
7	KBW1289	CHAIN GUARD	1
8	5/16-18 X 3/4 UNC	HEX BOLT, GRADE 5	3
9	5/16 LW	SPRING LOCK WASHER	3
10	KBW1154 TAILGATE LATCH	WELDED ROD ASSEMBLY	1
11	4X24 CYL	HYDRAULIC CYLINDER	2
12	Y-6901-F-NWO-8-6	ADAPTER, 90°, 3/4" M O-RING - 3/8" FPT SWIVEL	4
13	4000-908	SEAL, O-RING BOSS	4
14	RCM-402	MINI LIMIT SWITCH	2
15	KBW 1097-A	PLATE, DOOR AJAR SWITCH	1
16	KBW1082	TAB, SERIAL (NOT SHOWN)	1



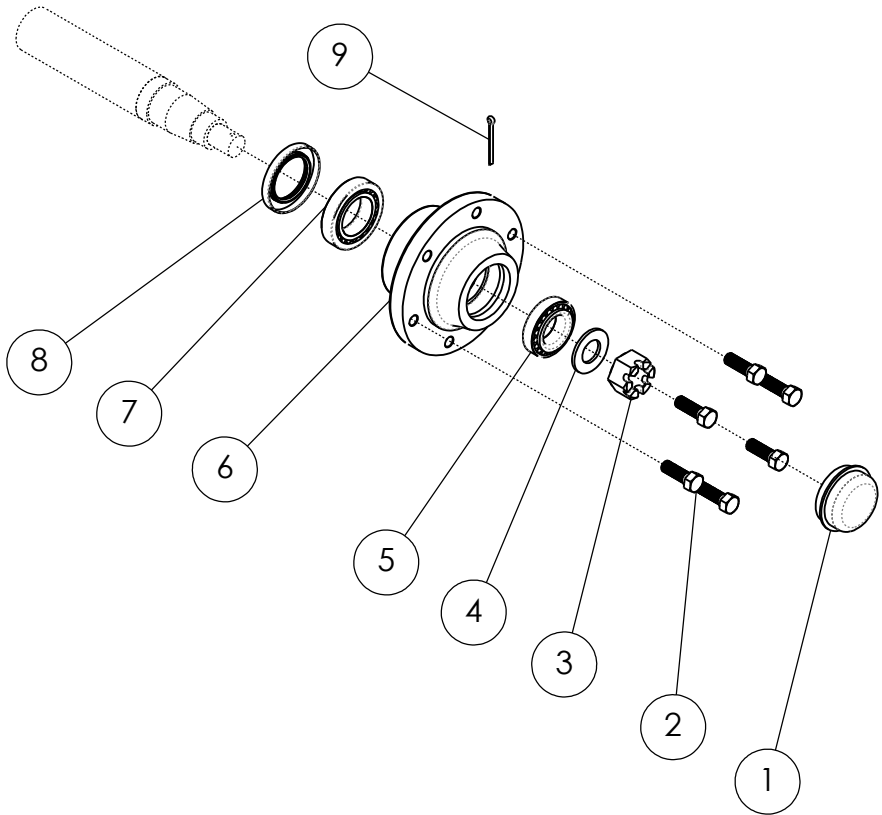
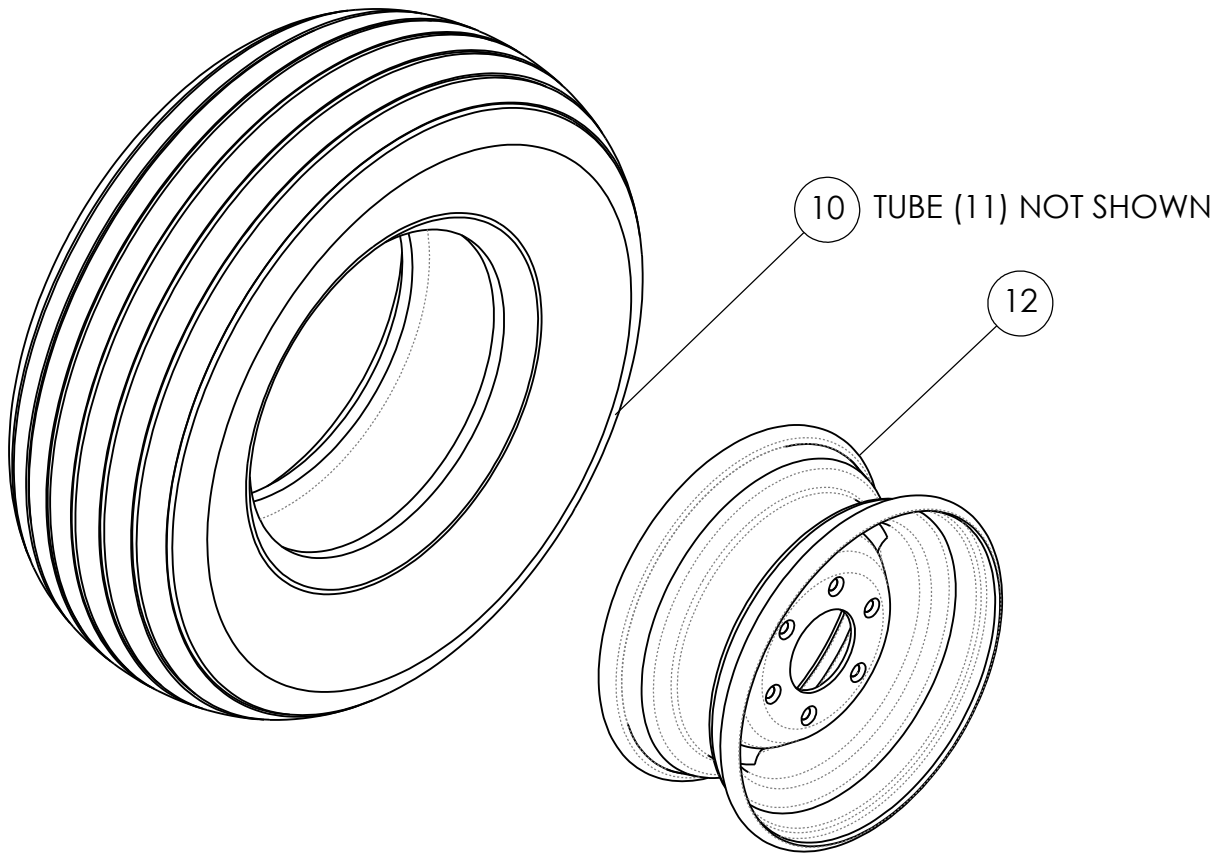
KBW03 TONGUE

ITEM NO.	PART NUMBER	DESCRIPTION	QTY.
1	KBW02	TONGUE FRONT HALF	1
2	KBW01	TONGUE REAR HALF	1
3	3/4 X 6-1/2 UNC	HEX BOLT, GRADE 5	2
4	3/4-10 LN	NYLON LOCK NUT	2
5	90022	PIN, 3/4"	1



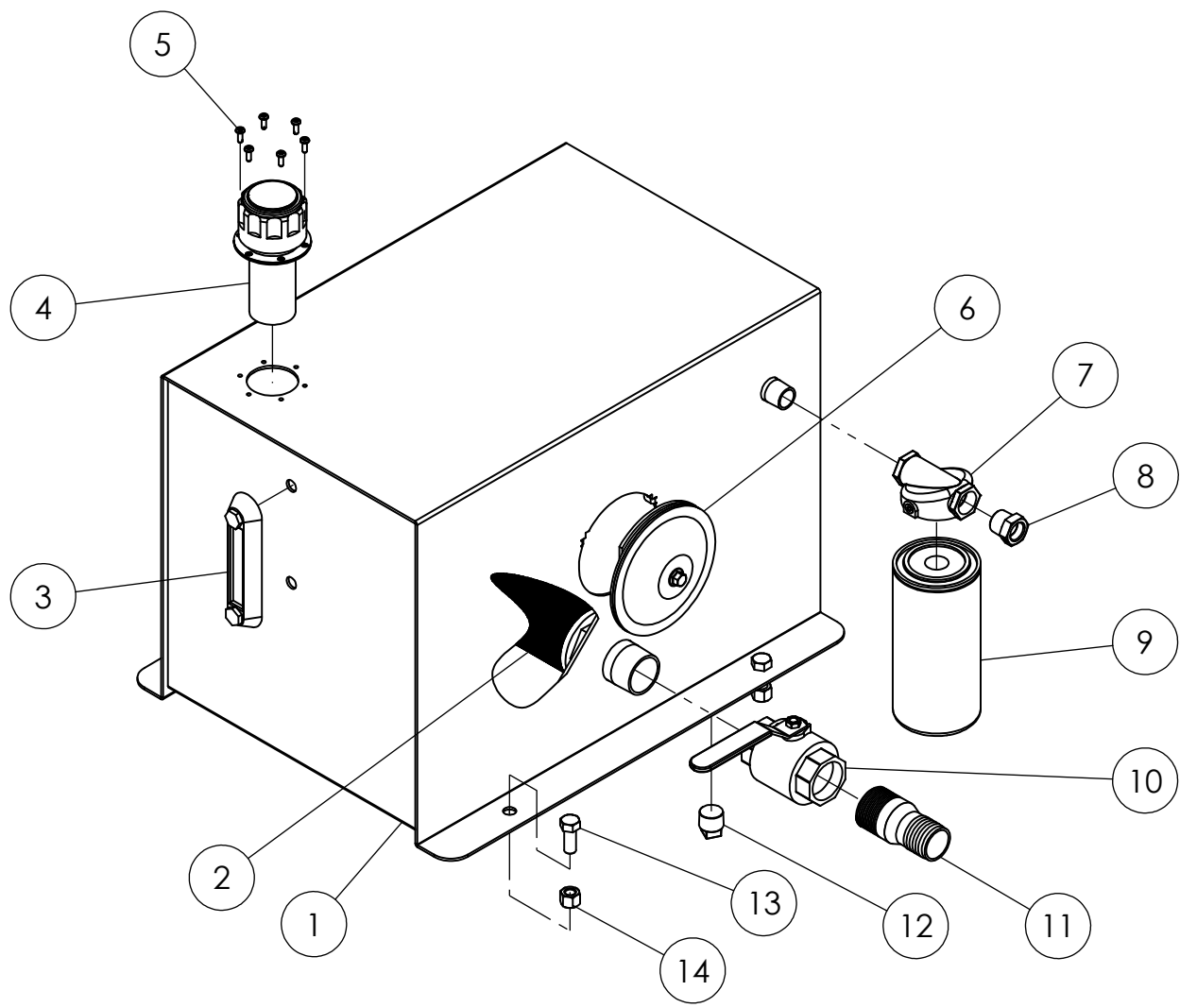
KBW07 STEER DOLLIE ASSEMBLY

ITEM NO.	PART NUMBER	DESCRIPTION	QTY.
1	KBW023	ASSEMBLY, STEER WHEEL AND HUB - SEE PAGE #11	2
2	EM5000S	2" X 12" SPINDLE	2
3	KBW071	STEER DOLLIE COMPLETE W/SPINDLES	1
4	MSC73154874	EYEBOLT	1
5	1/2 X 5 UNC	HEX BOLT, GRADE 5	1
6	1/2-13 LN	LOCK NUT, NYLON INSERT	1
7	KBWA07	STEERING TUBE	1



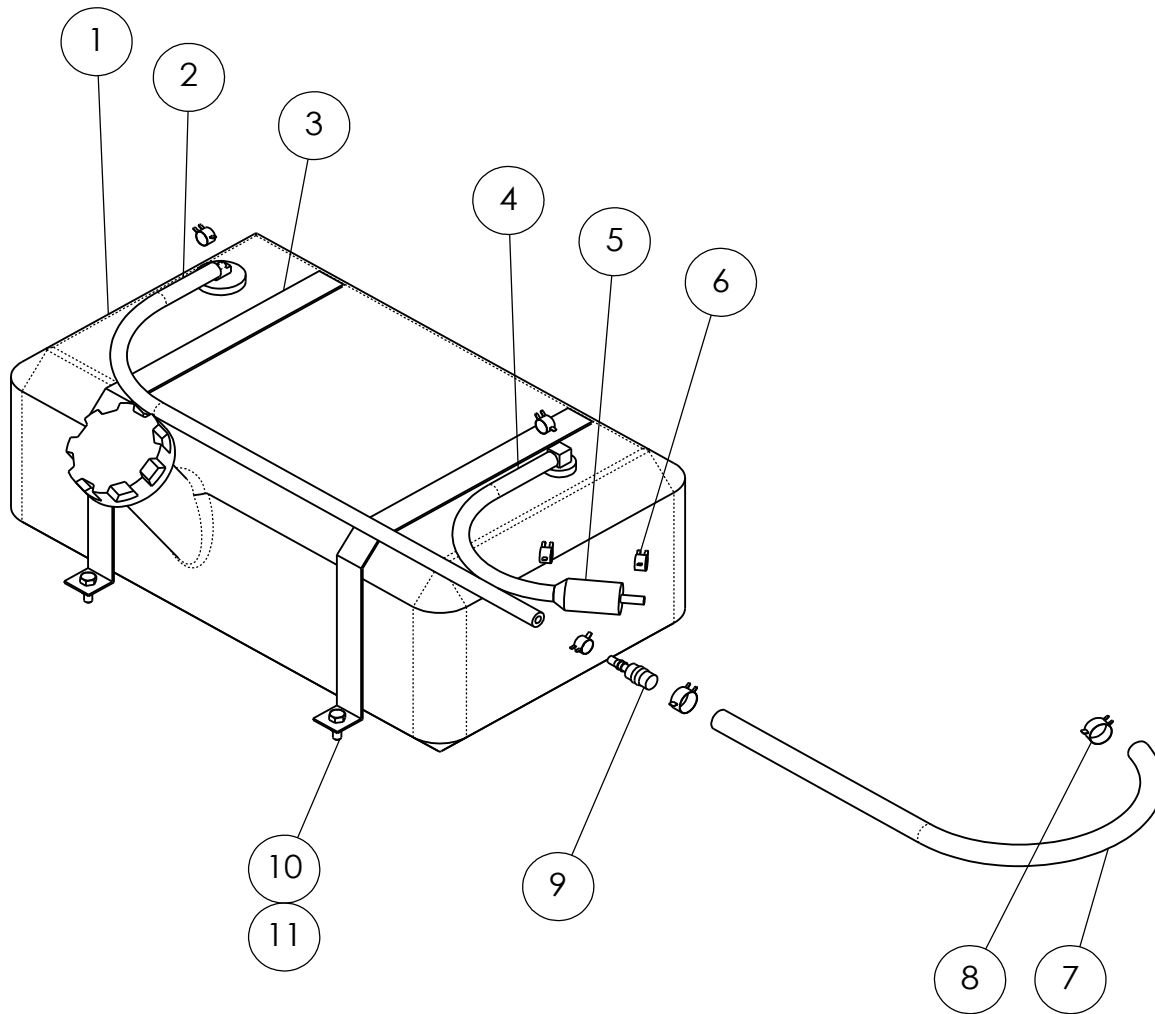
KBW023 WHEEL AND HUB ASSEMBLY

ITEM NO.	PART NUMBER	DESCRIPTION	QTY.
1	CAP 2.6	GREASE CAP, 2.56" OD	1
2	LB 0.56-18	9/16-18 X 1-1/4 LUG BOLT	6
3	1-12 SLOT	HEX SLOTTED NUT	1
4	1 FW	FLAT WASHER, 1.062 X 2 X 0.134	1
5	LM48548-LM48510	TAPERED ROLLER BEARING SET, 1.375 ID X 2.563 OD	1
6	EM5000-6	6 BOLT HUB	1
7	LM603049-LM603011	TAPERED ROLLER BEARING SET, 1.781 ID X 3.063 OD	1
8	203063	GREASE SEAL, 2" ID X 3.066 OD	1
9	CP-188X2000	3/16 X 2 COTTER PIN	1
10	FC1D6	11L-15SL TIRE	1
11	TU552208	15" TUBE	1
12	6 x 15	AG WHEEL 15 X 6 X 6	1
13	CL0108-098	LUBRIPLATE 3000, HI-TACK MOLYBDENUM GREASE	1



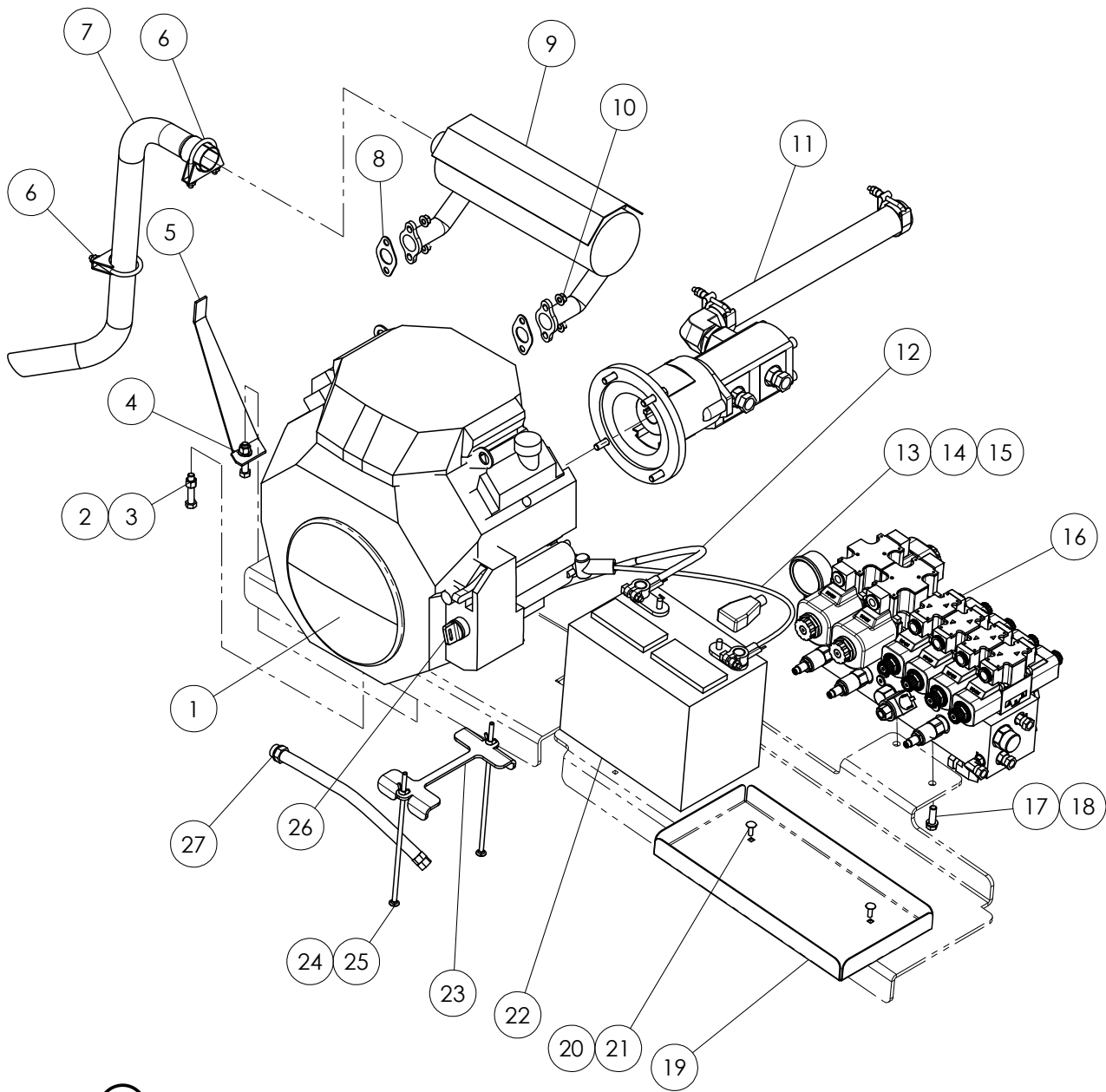
KBW040-262 HYDRAULIC SUPPLY, 1-1/2"

ITEM NO.	PART NUMBER	DESCRIPTION	QTY.
1	KBW1118-62	HYDRAULIC TANK, 1-1/2" OUTLET	1
2	SS-150-0-0	SUCTION STRAINER	1
3	SG-05	SIGHT GLASS	1
4	FB10-04-1-00-0	FILL CAP STRAINER	1
5	10-32 X 3/8	PAN HEAD SCREW	6
6	FRC-06-UP-BN	ACCESS COVER ASSEMBLY	1
7	ZAF07-25-1+3	FILTER HEAD	1
8	Y-5406-12-8	STRAIGHT BUSHING, 3/4 MPT - 1/2 FPT	1
9	AE-10-L	HYDRAULIC FILTER, 10 MICRON, ZINGA	1
	BT8443	INTERCHANGE - BALDWIN	
	51772	INTERCHANGE - WIX	
10	KTC-150	BALL VALVE, 1-1/2" NPT	1
11	HCN-150	HOSE BARB, 1-1/2"	1
12	Y-5406-SHP-12	PIPE PLUG, SQUARE HEAD	1
13	1/2-13 X 1-1/4 UNC	HEX BOLT, GRADE 5	4
14	1/2-13 LN	LOCK NUT, NYLON INSERT	4
15	TEFLON™	THREAD SEAL TAPE	1



KBW049 FUEL SUPPLY

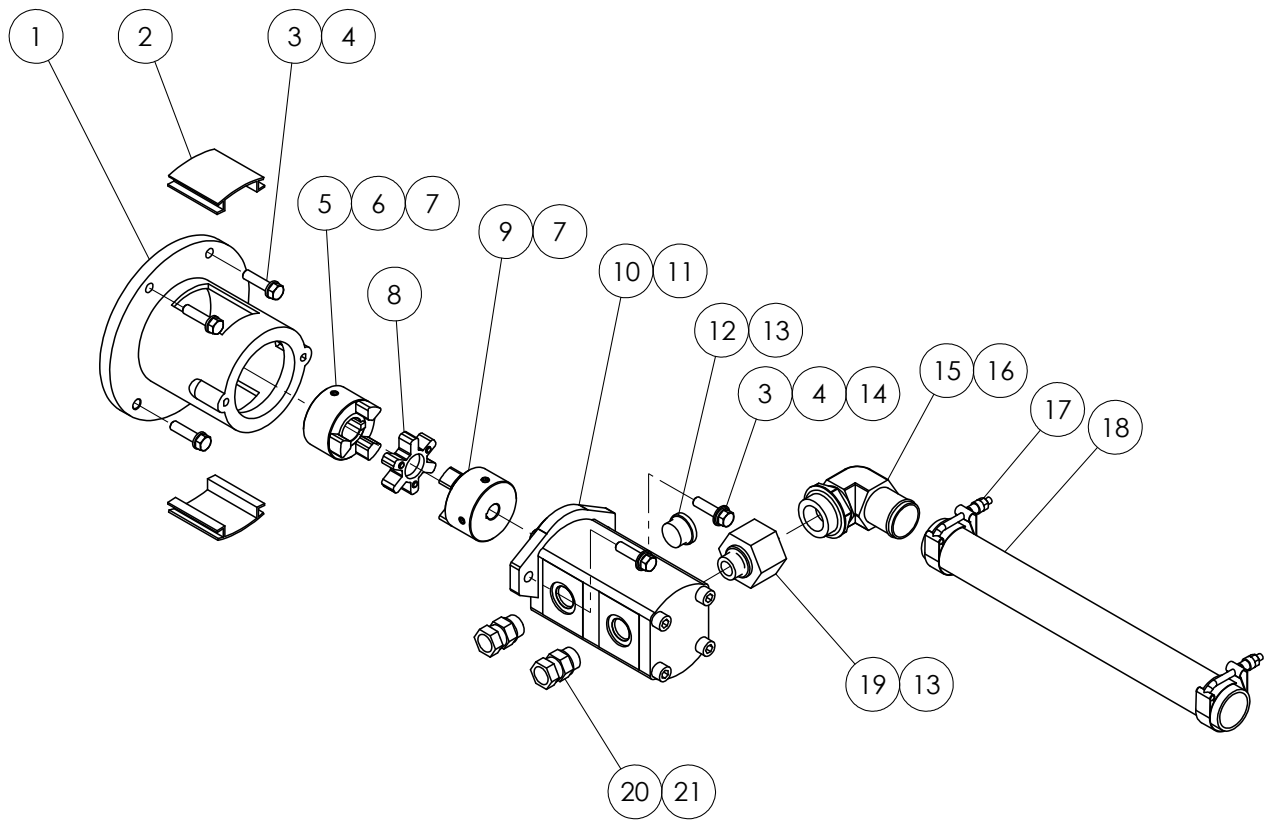
ITEM NO.	PART NUMBER	DESCRIPTION	QTY.
1	EPA-FLM-BA1 071286AE	FUEL TANK FUEL TANK ASSEMBLY INCLUDES ITEMS EXCEPT #5,#10, #11	1
2	CUT FROM 468851A	FUEL LINE HOSE, 1/4"	1
3	468998A	MOUNTING STRAP	2
4	CUT FROM 468851A	FUEL LINE HOSE, 1/4"	1
5	FF1	IN-LINE FUEL FILTER	1
6	468850A	SPRING HOSE CLAMP	5
7	468894A	FUEL LINE HOSE, 7/16"	1
8	468898A	SPRING HOSE CLAMP	2
9	462125A	HOSE BARB ADAPTER	1
10	1/4-20 X 3/4 UNC	HEX BOLT, GRADE 5	4
11	1/4-20 LN	LOCK NUT, NYLON INSERT	4



- 28 — OIL FILTER
- 29 — AIR FILTER

KBW066 POWER PACKAGE

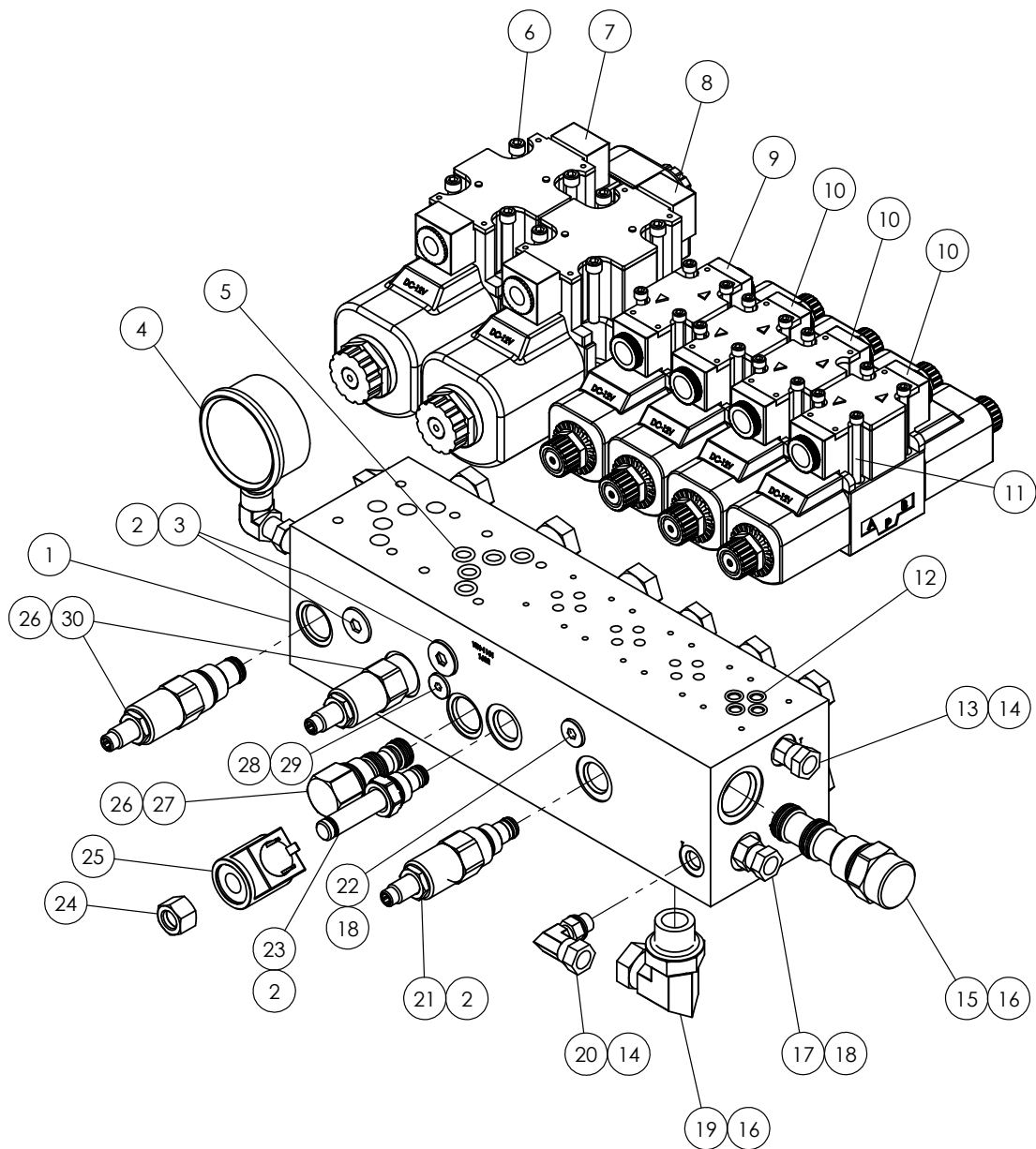
ITEM NO.	PART NUMBER	DESCRIPTION	QTY.
1	GX630	GASOLINE ENGINE, 20HP, HONDA	1
2	3/8-16 X 2 UNC	HEX BOLT, GRADE 5	4
3	3/8-16 LN	LOCK NUT, NYLON INSERT	4
4	3/8 FW	FLAT WASHER	2
5	KBW1356	EXHAUST SUPPORT	1
6	7335324	EXHAUST TUBE CLAMP	2
7	KBW1306	EXHAUST EXTENSION	1
8	EXGSK1	EXHAUST MANIFOLD GASKET	2
9	MUF0492	MUFFLER	1
10	M8 X 1.25	HEX FLANGE NUT	4
11	KBW085	TANDEM HYDRAULIC PUMP COMPONENTS - SEE PAGE #19	1
12	781103	BATTERY CABLE, NEGATIVE, CLAMP TYPE	1
13	781131	BATTERY CABLE, POSITIVE, CLAMP TYPE	1
14	73127813	BATTERY TERMINAL COVER	1
15	73127995	SOLENOID TERMINAL COVER	1
16	KBW093	HYDRAULIC CONTROL MANIFOLD, DUAL SYSTEM - SEE PAGE #21	1
17	3/8-16 X 1-1/4 UNC	HEX BOLT, GRADE 5	2
18	3/8 LW	SPRING LOCK WASHER	2
19	KBW1115	TOOLBOX CRADLE	1
20	1/4-20 LN	LOCK NUT, NYLON INSERT	2
21	CB 1/4-20 X 3/4	CARRIAGE BOLT, GRADE 5	2
22	8240	12 VOLT BATTERY, GROUP 24	1
23	KBW1024	CLAMP, BATTERY	1
24	FWN04	WING NUT, SS, 1/4-20	2
25	FC20480	BATTERY BOLT	2
26	355110-ZV5-V50	STARTER KEY	1
27	HON1420	OIL DRAIN	1
28	15400-PLM-A02	OIL FILTER	1
29	17210-Z6L-O10	AIR FILTER	1



KBW085 TANDEM HYDRAULIC PUMP COMPONENTS

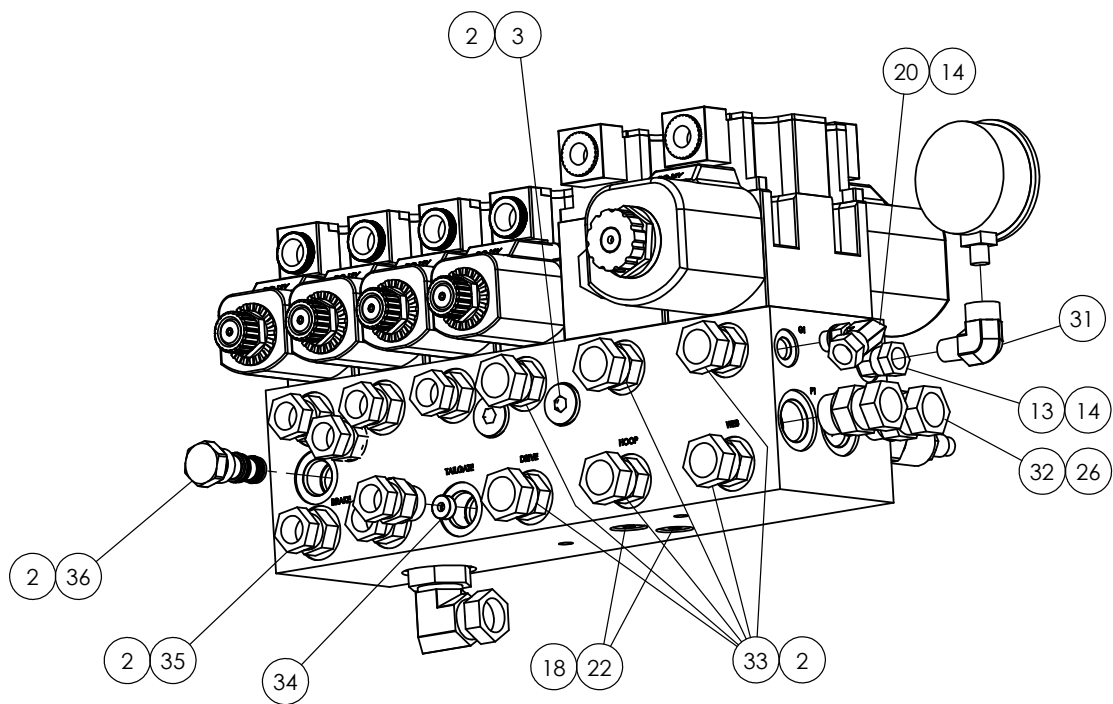
ITEM NO.	PART NUMBER	DESCRIPTION	QTY.
1	G300-402-5.125	PUMP MOUNT	1
2	AC300	MOUNT COVER	2
3	3/8-16 X 1-1/2 UNC	HEX BOLT, GRADE 5	6
4	3/8 LW	SPRING LOCK WASHER	6
5	L100-N-1KW	COUPLING HUB, 1" ID	1
6	K 1/4 X 1-1/2	SQUARE KEY	1
7	5/16-18 X 3/8 SS	SET SCREW	4
8	L100U	COUPLING SPIDER, NEOPRENE (BLACK)	1
9	L100-N-5_8KW	COUPLING HUB, 5/8" ID	1
10	2DG1AU0909R	HYDRAULIC PUMP, TANDEM CIRCUIT	1
11	KEY1	SHAFT KEY	1
12	Y-6408-HHP-O-12	PLUG	1
13	4000-912	SEAL, O-RING BOSS	2
14	3/8 FW	FLAT WASHER	2
15	Y-4601F-24-20	BEADED HOSE ADAPTER, 90°, 1-1/2" TUBE - 1-5/8" M O-RING	1
16	4000-908	SEAL, O-RING BOSS	1
17	HC150	T-BOLT HOSE CLAMP, Ø2" NOMINAL	2
18	AL10L	SUCTION HOSE, 1-1/2"	1
19	Y-6410-O-12-20	ADAPTER, 1-1/16" M O-RING - 1-5/8" F O-RING	1
20	Y-6900-O-10-8	ADAPTER, 7/8" M O-RING - 1/2" FPT SWIVEL	2
21	4000-910	SEAL, O-RING BOSS	2

SAE STRAIGHT THREAD O-RING (O-RING BOSS) DECIMAL SIZES				
BOSS SEAL SIZE	TUBE O.D.	PORT THREADS	SEAL I.D.	SECTION WIDTH
-904	1/4	7/16-20	.351	.072
-906	3/8	9/16-18	.468	.078
-908	1/2	3/4-16	.644	.087
-910	5/8	7/8-14	.755	.097
-912	3/4	1-1/16-12	.924	.116



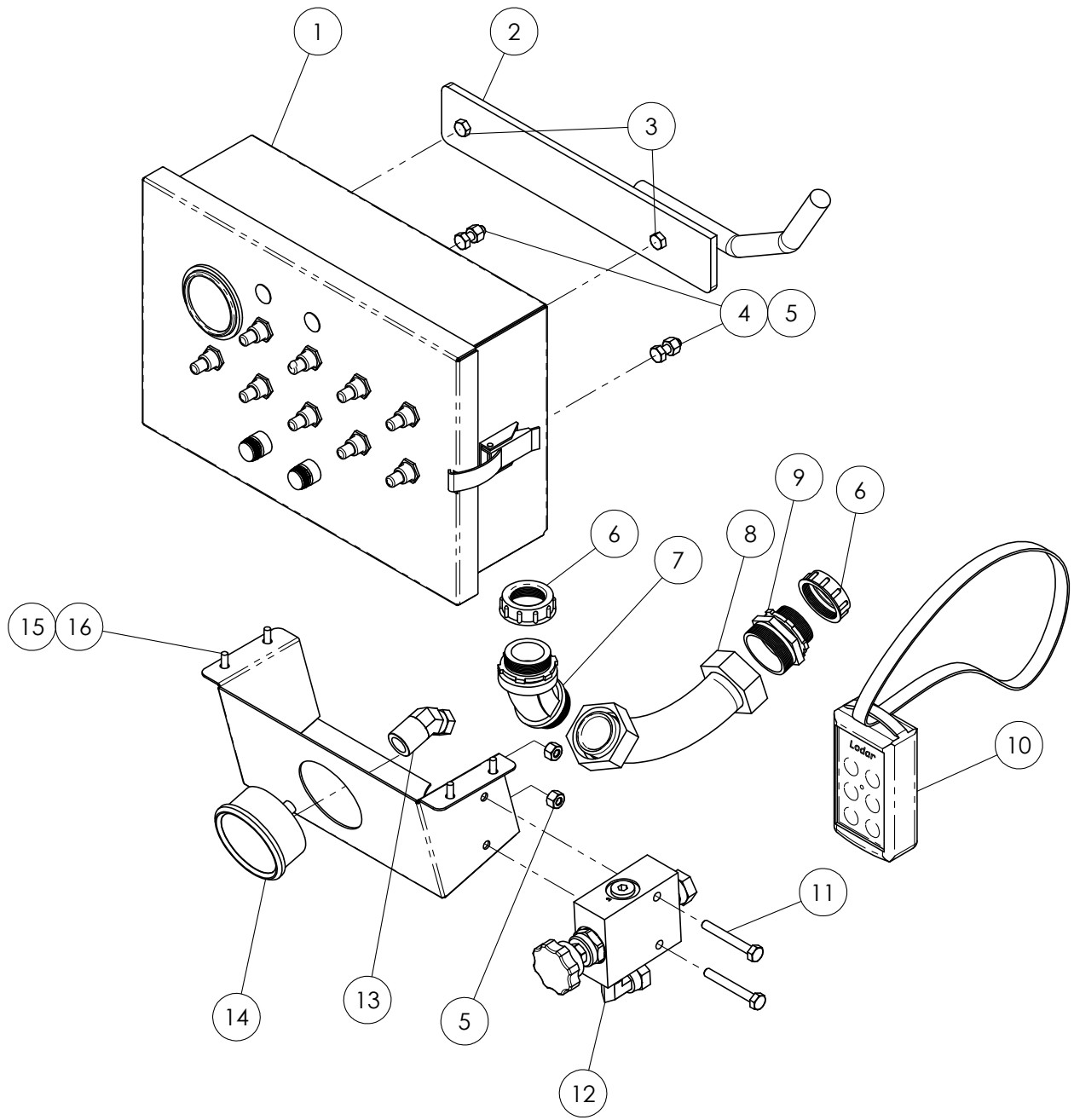
KBW093 HYDRAULIC CONTROL MANIFOLD, DUAL SYSTEM
-NEAR SIDE VALVES

ITEM NO.	PART NUMBER	DESCRIPTION	QTY.
1	WH-1101	HYDRAULIC MANIFOLD, DUAL SYSTEM	1
2	4000-908	SEAL, O-RING BOSS	20
3	Y-6408-HHP-O-8	PLUG	4
4	LFSL25-3000	PRESSURE GAUGE, LOWER MOUNT	1
5	#111	O-RING, 7/16" I.D. X 3/32" SECTION WIDTH	10
6	1/4-20 X 1-1/2 SHCS	SOCKET HEAD CAP SCREW	8
7	HD-3C3-G03-LW-7-DC12	D05 SOLENOID VALVE	1
8	HD-2B3B-G03-LW-7-DC12	D05 SOLENOID VALVE	1
9	HD-3C3-G02-LW-F-12VDC	D03 SOLENOID VALVE	1
10	HD-3C6-G02-LW-F-12VDC	D03 SOLENOID VALVE	3
11	10-24 X 1-3/4 SHCS	SOCKET HEAD CAP SCREW	16
12	#011	O-RING, 5/16" I.D. X 1/16" SECTION WIDTH	16
13	Y-6900-O-4-4	ADAPTER, 7/16" M O-RING - 1/4" FPT SWIVEL	2
14	4000-904	SEAL, O-RING BOSS	4
15	FR12-30F	FLOW CONTROL VALVE, 2.0 GPM	1
16	4000-912	SEAL, O-RING BOSS	2
17	Y-6900-O-6-4	STRAIGHT ADAPTER	1
18	4000-906	SEAL, O-RING BOSS	4
19	Y-6901-F-NWO-12-8	ADAPTER, 90°, 1-1/16" M O-RING - 1/2" FPT SWIVEL	1
20	Y-6901-F-NWO-4-4	ADAPTER, 90°, 7/16" M O-RING - 1/4" FPT SWIVEL	2
21	RV08-20A	RELIEF VALVE	1
22	Y-6408-HHP-O-6	PLUG	3
23	SV08-21	SOLENOID VALVE	1
24	7004410	COIL NUT	1
25	6306012	COIL, 12V DC	1
26	4000-910	SEAL, O-RING BOSS	5
27	EP10-S35	DUMP VALVE	1
28	4000-905	SEAL, O-RING BOSS	1
29	Y-6408-HHP-O-5	PLUG	1
30	RV10-26A-0-N-30	RELIEF VALVE	2
31	Y-5502-F	PIPE FITTING, 90°, 1/4"	1
32	Y-6900-O-10-8	ADAPTER, 7/8" M O-RING - 1/2" FPT SWIVEL	2
33	Y-6900-O-8-8	ADAPTER, 3/4" M O-RING - 1/2" FPT SWIVEL	6
34	ORIFICE 764	*	1
35	Y-6900-O-8-6	ADAPTER, 3/4" M O-RING - 3/8" FPT SWIVEL	7
36	PC08-30	CHECK VALVE	1



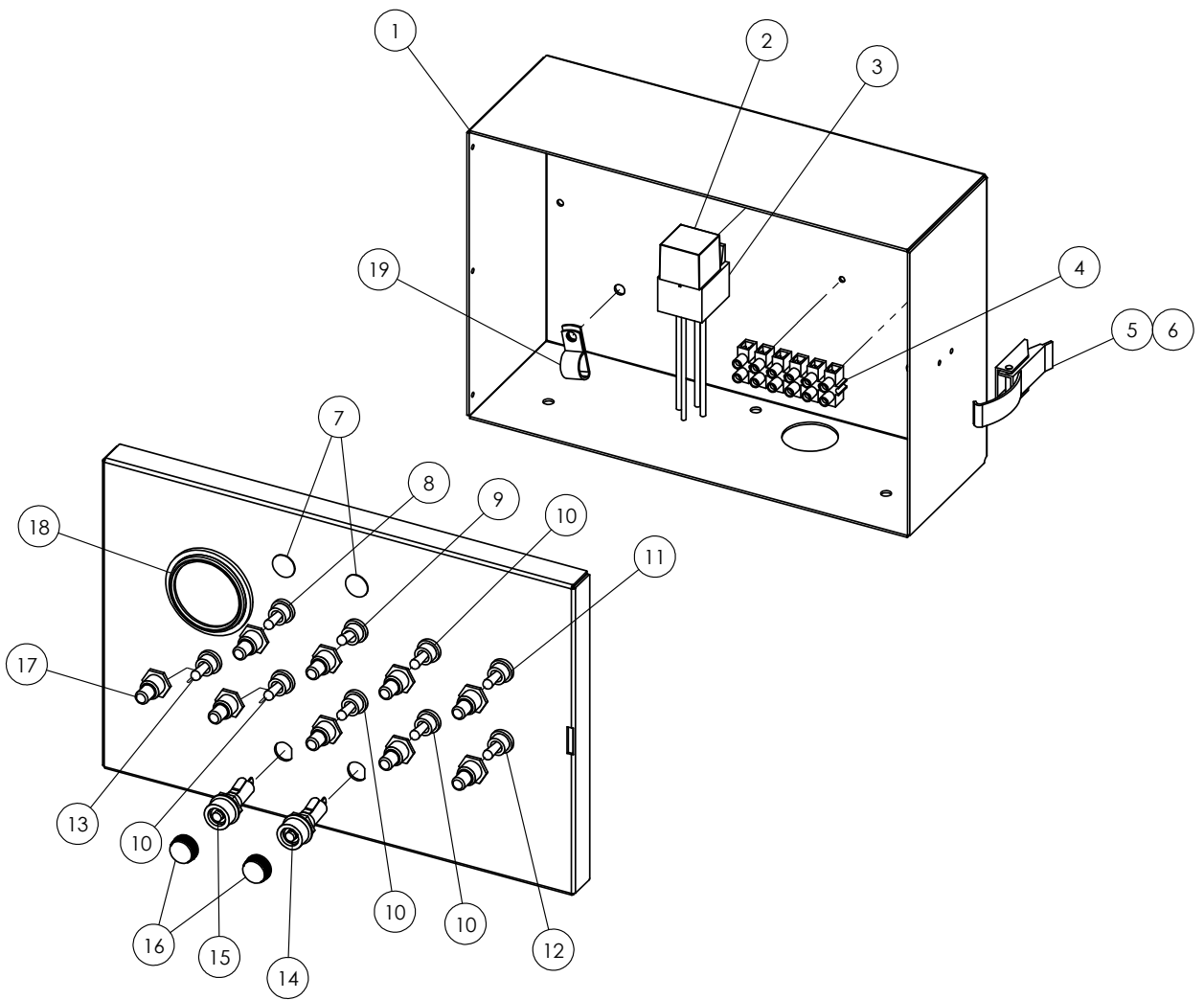
KBW093 HYDRAULIC CONTROL MANIFOLD, DUAL SYSTEM
-BACK SIDE FITTINGS

ITEM NO.	PART NUMBER	DESCRIPTION	QTY.
1	WH-1101	HYDRAULIC MANIFOLD, DUAL SYSTEM	1
2	4000-908	SEAL, O-RING BOSS	20
3	Y-6408-HHP-O-8	PLUG	4
4	LFSL25-3000	PRESSURE GAUGE, LOWER MOUNT	1
5	#111	O-RING, 7/16" I.D. X 3/32" SECTION WIDTH	10
6	1/4-20 X 1-1/2 SHCS	SOCKET HEAD CAP SCREW	8
7	HD-3C3-G03-LW-7-DC12	D05 SOLENOID VALVE	1
8	HD-2B3B-G03-LW-7-DC12	D05 SOLENOID VALVE	1
9	HD-3C3-G02-LW-F-12VDC	D03 SOLENOID VALVE	1
10	HD-3C6-G02-LW-F-12VDC	D03 SOLENOID VALVE	3
11	10-24 X 1-3/4 SHCS	SOCKET HEAD CAP SCREW	16
12	#011	O-RING, 5/16" I.D. X 1/16" SECTION WIDTH	16
13	Y-6900-O-4-4	ADAPTER, 7/16" M O-RING - 1/4" FPT SWIVEL	2
14	4000-904	SEAL, O-RING BOSS	4
15	FR12-30F	FLOW CONTROL VALVE, 2.0 GPM	1
16	4000-912	SEAL, O-RING BOSS	2
17	Y-6900-O-6-4	STRAIGHT ADAPTER	1
18	4000-906	SEAL, O-RING BOSS	4
19	Y-6901-F-NWO-12-8	ADAPTER, 90°, 1-1/16" M O-RING - 1/2" FPT SWIVEL	1
20	Y-6901-F-NWO-4-4	ADAPTER, 90°, 7/16" M O-RING - 1/4" FPT SWIVEL	2
21	RV08-20A	RELIEF VALVE	1
22	Y-6408-HHP-O-6	PLUG	3
23	SV08-21	SOLENOID VALVE	1
24	7004410	COIL NUT	1
25	6306012	COIL, 12V DC	1
26	4000-910	SEAL, O-RING BOSS	5
27	EP10-S35	DUMP VALVE	1
28	4000-905	SEAL, O-RING BOSS	1
29	Y-6408-HHP-O-5	PLUG	1
30	RV10-26A-0-N-30	RELIEF VALVE	2
31	Y-5502-F	PIPE FITTING, 90°, 1/4"	1
32	Y-6900-O-10-8	ADAPTER, 7/8" M O-RING - 1/2" FPT SWIVEL	2
33	Y-6900-O-8-8	ADAPTER, 3/4" M O-RING - 1/2" FPT SWIVEL	6
34	ORIFICE 764	*	1
35	Y-6900-O-8-6	ADAPTER, 3/4" M O-RING - 3/8" FPT SWIVEL	7
36	PC08-30	CHECK VALVE	1



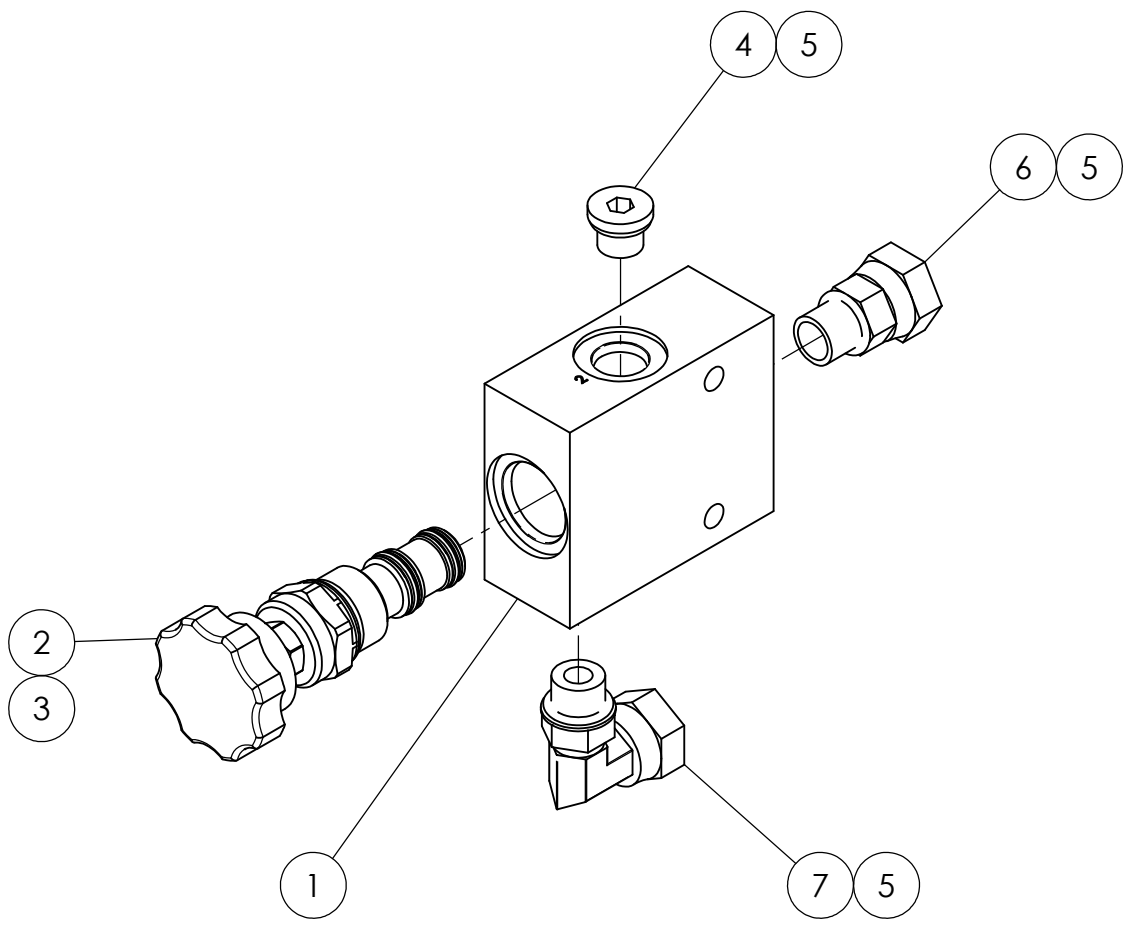
KBW062 CONTROL CONSOLE

ITEM NO.	PART NUMBER	DESCRIPTION	QTY.
1	KBW047	SWITCH BOX ASSEMBLY - SEE PAGE #27	1
2	KBW1267	WRAP STARTER HOOK	1
3	1/4-20 X 1 UNC	HEX BOLT, GRADE 5	2
4	1/4-20 X 3/4 UNC	HEX BOLT, GRADE 5	2
5	1/4-20 LN	LOCK NUT, NYLON INSERT	6
6	LT100IB	INSULATED BUSHING, 1" CONDUIT	2
7	LT10045	ELBOW, 45°, SCH 40, 1" CONDUIT	1
8	KBW1407	WIRE CONDUIT ASSEMBLY, LIQUIDTIGHT, 1"	1
9	LT100NM	MALE ADAPTER, 1" CONDUIT	1
10	RA92104-TX	HANDHELD REMOTE	1
11	1/4-20 X 2 UNC	HEX BOLT, GRADE 5	2
12	KBW058	HOOP SPEED CONTROL VALVE - SEE PAGE #29	1
13	Y-1504-F-4-4	ADAPTER, 45°, 1/4" FPT - 1/4" FPT SWIVEL	1
14	CI-20	PRESSURE GAUGE	1
15	KBW1403	GAUGE BOX	1
16	R 316X12	POP RIVET, 3/16 X 1/2	4



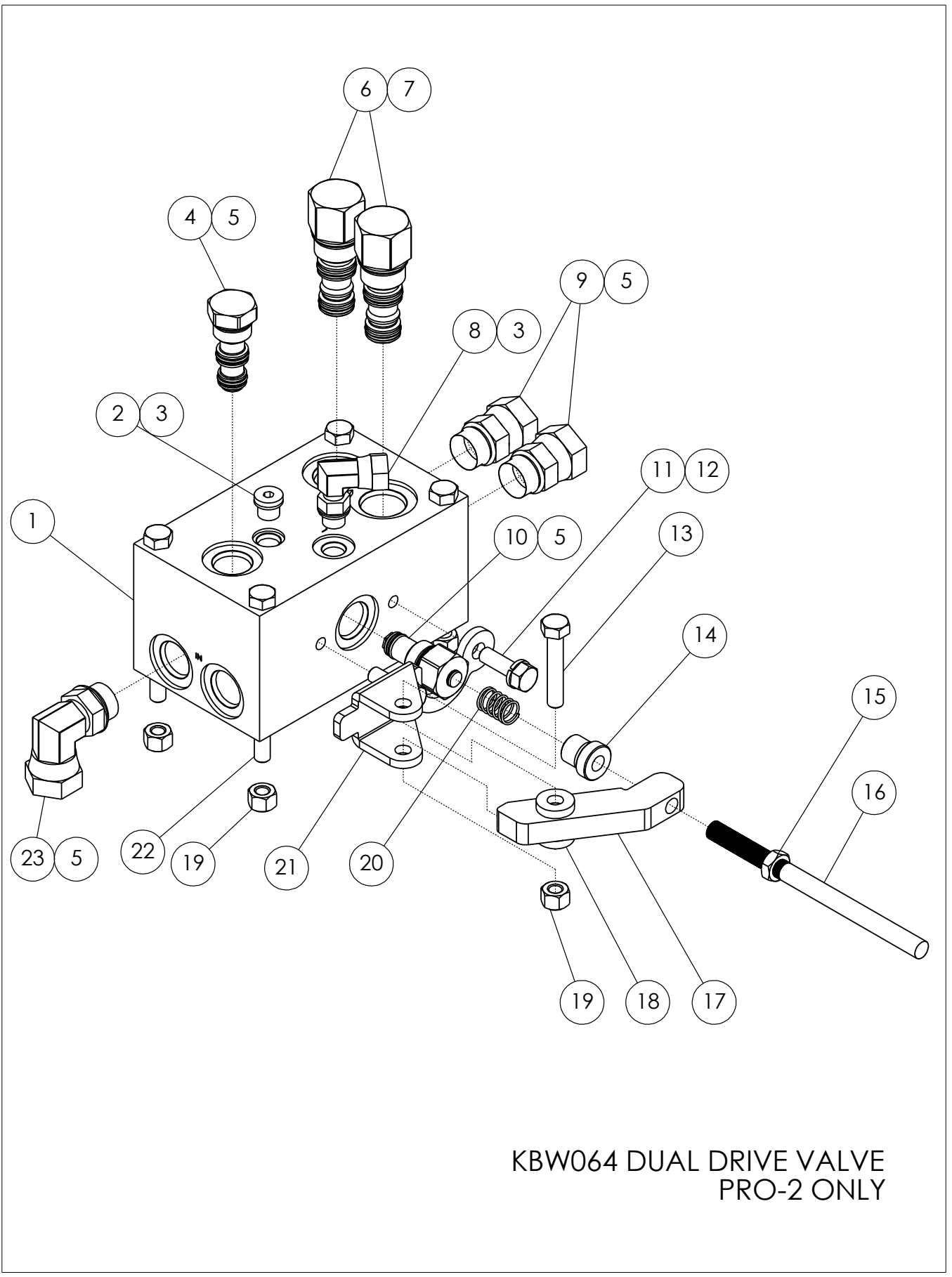
SWITCH BOX ASSEMBLY

ITEM NO.	PART NUMBER	DESCRIPTION	QTY.
1	KBW1402	SWITCHBOX, HINGED	1
2	AR272	RELAY, 20A, 12V, SPDT, W/RESISTOR	1
3	EC38	RELAY PIGTAIL, 4 LEADS, W/BRACKET	1
4	ELBS1212	TERMINAL BLOCK, 35A, 600V, 22-10 AWG	1
5	215-1102N	DRAW LATCH	1
6	R 18X18	POP RIVET, ALUMINUM, 1/8" X 1/8" (NOT SHOWN)	2
7	IL010-3500	INDICATOR LIGHT, GREEN	2
8	1575687	TOGGLE SWITCH, GENERAL-PURPOSE, 15A 125V AC, ON-OFF-ON, 3PDT	1
9	35-146	TOGGLE SWITCH, HEAVY-DUTY, 20A 125V AC, ON-ON, DPDT	1
10	35-150	TOGGLE SWITCH, HEAVY-DUTY, 20A 125V AC, (ON)-OFF-(ON), DPDT	4
11	6489207	TOGGLE SWITCH, HEAVY DUTY, 20A 125V AC, (ON)-OFF-(ON), SPDT	1
12	35-1076	TOGGLE SWITCH, MEDIUM-DUTY, 6A 125V AC, OFF-(ON), SPST	1
13	6489041	TOGGLE SWITCH, HEAVY-DUTY, 20A 125V AC, ON-OFF, SPST	1
14	AGC15A	FUSE, FAST ACTING GLASS BODY, 15A	1
15	AGC30A	FUSE, FAST ACTING GLASS BODY, 30A	1
16	84681154	FUSE HOLDER, PANEL MOUNT	2
17	ELTSC	TOGGLE SWITCH COVER	9
18	2586	AMMETER	1
19	AVO9386	3/4" LOOM CLAMP	1
20	SB1245CT-ND	DIODE - FOR STEERING SWITCH	2



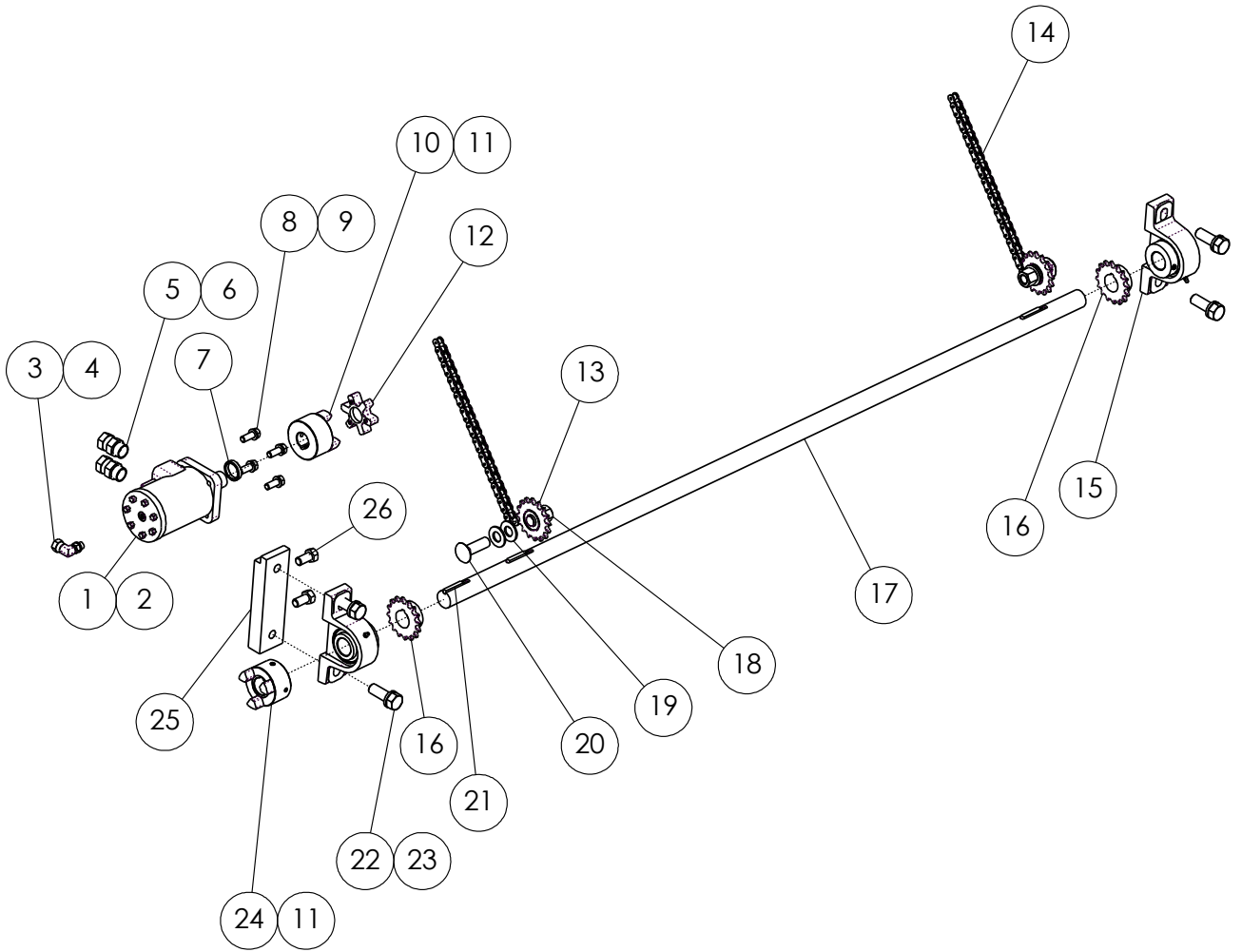
KBW058 HOOP SPEED CONTROL VALVE

ITEM NO.	PART NUMBER	DESCRIPTION	QTY.
1	WH-1026	VALVE BLOCK	1
2	FR10-39E-0-N	FLOW CONTROL VALVE, VARIABLE	1
3	4000-910	SEAL, O-RING BOSS	1
4	Y-6408-HHP-O-6	PLUG	1
5	4000-906	SEAL, O-RING BOSS	3
6	Y-6900-O-6-6	ADAPTER, 9/16" M O-RING - 3/8" FPT SWIVEL	1
7	Y-6901-F-NWO-6-6	ADAPTER, 90°, 9/16" M O-RING - 3/8" FPT SWIVEL	1



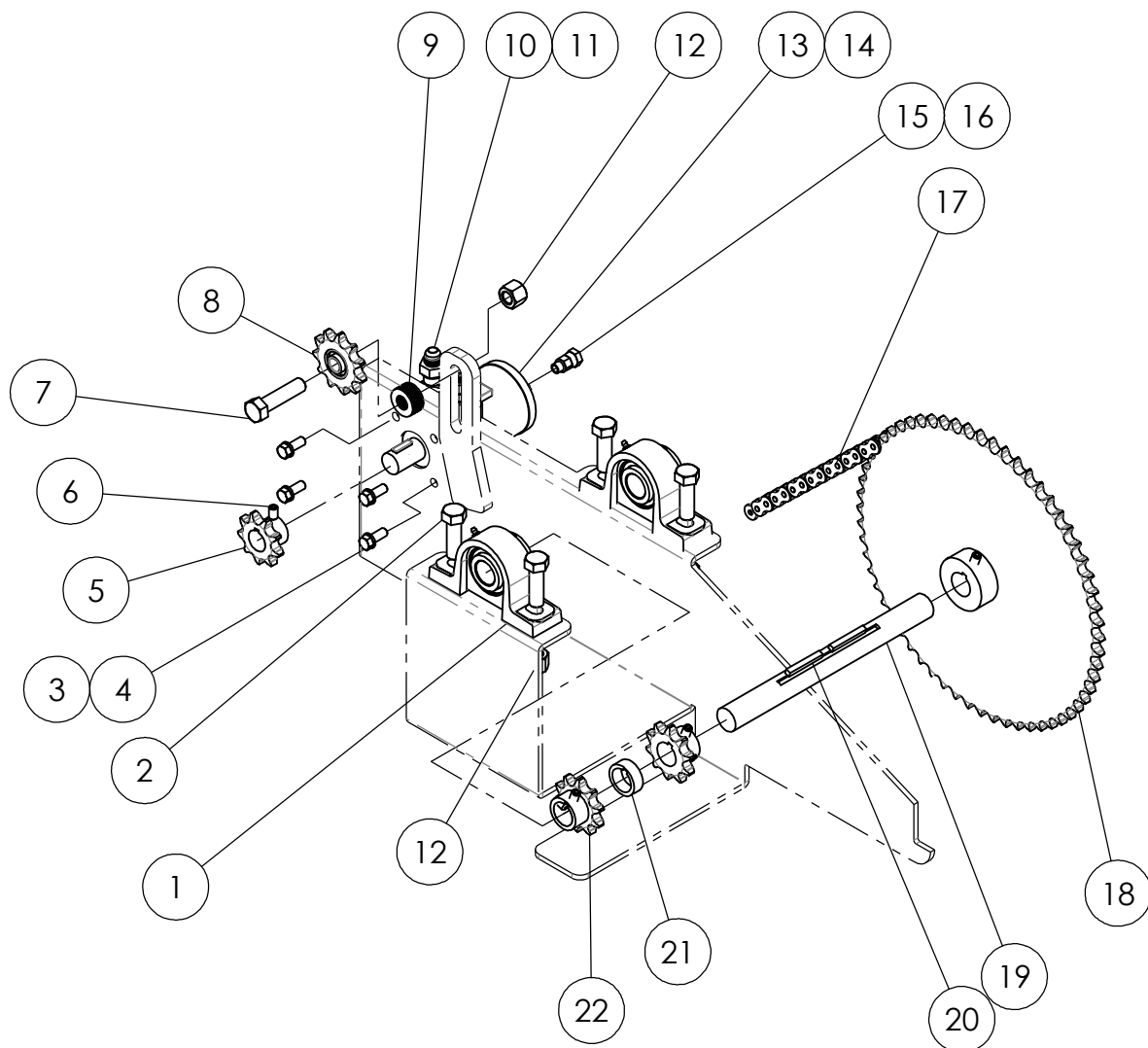
KBW064 DUAL DRIVE VALVE
PRO-2 ONLY

ITEM NO.	PART NUMBER	DESCRIPTION	QTY.
1	WH-1036	VALVE BLOCK	1
2	Y-6408-HHP-O-4	PLUG	1
3	4000-904	SEAL, O-RING BOSS	2
4	LS08-30	FLOW DIVIDER VALVE	1
5	4000-908	SEAL, O-RING BOSS	5
6	EP10-S38	DUMP VALVE	2
7	4000-910	SEAL, O-RING BOSS	2
8	Y-6901-F-NWO-4-4	ADAPTER, 90°, 7/16" M O-RING - 1/4" FPT SWIVEL	1
9	Y-6900-O-8-8	ADAPTER, 3/4" M O-RING - 1/2" FPT SWIVEL	2
10	MV08-22	POPPET VALVE	1
11	5/16-18 X 1 UNC	HEX BOLT, GRADE 5	2
12	5/16 LW	SPRING LOCK WASHER	2
13	5/16-18 X 1-3/4 UNC	HEX BOLT, GRADE 5	1
14	KBW1287	PRO-2 VALVE BUTTON	1
15	3/8-24 JAM	HEX JAM NUT, GRADE 5	1
16	KBW1308	DRIVE BLOCK ROD	1
17	KBW1132R2	VALVE ENGAGE ARM	1
18	KBW1134	SPACER	2
19	5/16-18 LN	LOCK NUT, NYLON INSERT	5
20	91	COMPRESSION SPRING	1
21	KBW1131R2	PRO-2 BRACKET	1
22	5/16-18 X 3-3/4 UNC	HEX BOLT, GRADE 5	4
23	Y-6901-F-NWO-8-8	ADAPTER, 90°, 3/4" M O-RING - 1/2" FPT SWIVEL	1



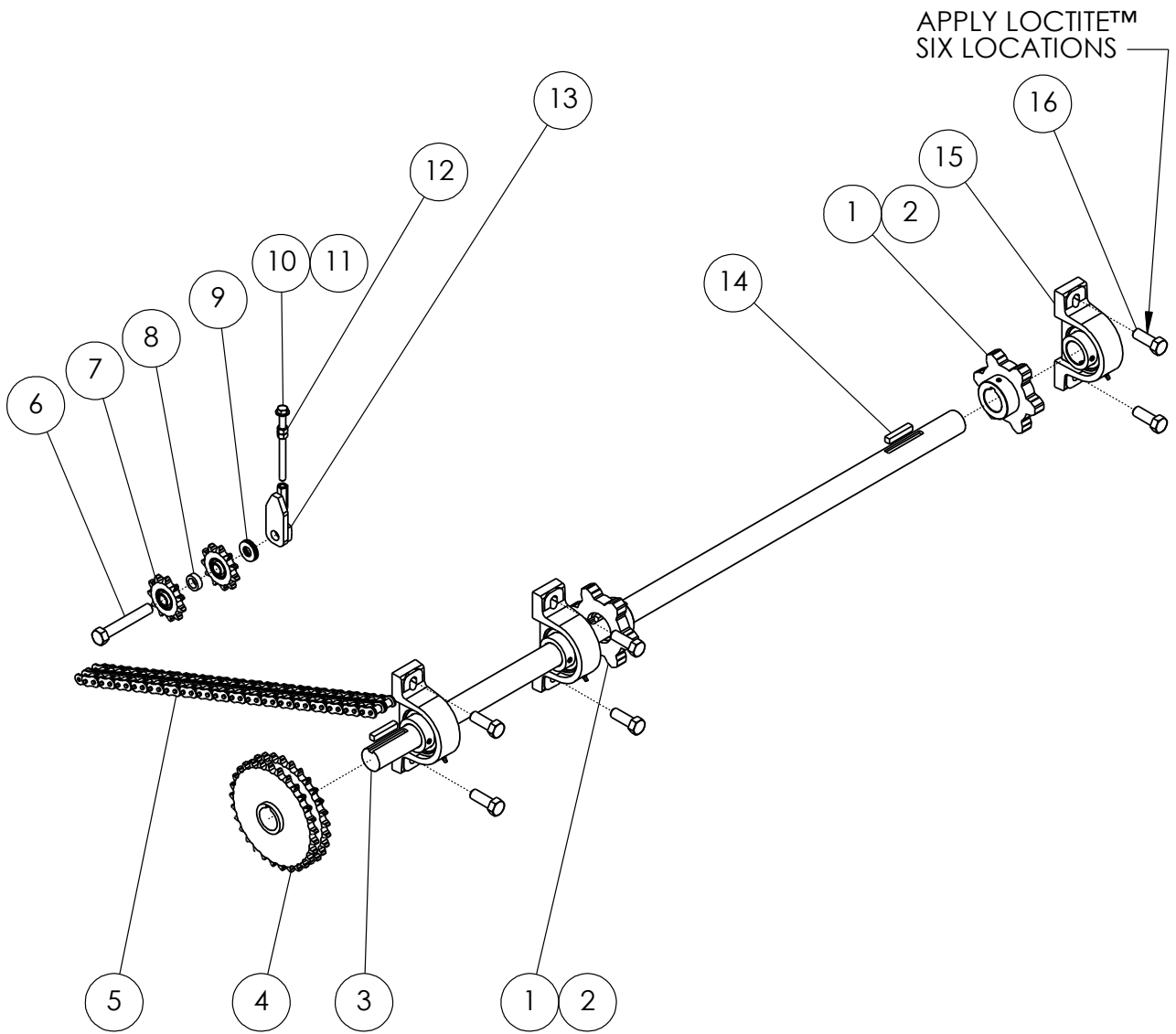
KBW052 WRAP DRIVE SHAFT

ITEM NO.	PART NUMBER	DESCRIPTION	QTY.
1	101-2090-009	HYDRAULIC MOTOR, 58 cc	1
	60540-000	SEAL KIT, BUNA-N	
	60545-000	SEAL KIT, VITON HIGH PRESSURE	
2	1/4 X 1 WK	WOODRUFF KEY, FULL RADIUS	1
3	Y-6901-F-NWO-4-4	ADAPTER, 90°, 7/16" M O-RING - 1/4" FPT SWIVEL	1
4	4000-904	SEAL, O-RING BOSS	1
5	Y-6900-O-10-8	ADAPTER, 7/8" M O-RING - 1/2" FPT SWIVEL	2
6	4000-910	SEAL, O-RING BOSS	2
7	KBW1342	MOTOR COUPLING SPACER	1
8	3/8-16 X 1 UNC	HEX BOLT, GRADE 5	4
9	3/8 LW	SPRING LOCK WASHER	4
10	L100-N-1KW	COUPLING HUB, 1" ID	1
11	5/16-18 X 3/8 SS	SET SCREW	4
12	L100N	COUPLING SPIDER (ORANGE)	1
13	4017E10	IDLER, #40 CHAIN, 5/8" ID, 17 TOOTH	2
14	#40-2	#40 ROLLER CHAIN, 65 LINKS	2
15	NAP 206-18	1-1/8" ID PILLOW BLOCK BEARING	2
16	40B16 X 1-1/8	ROLLER CHAIN SPROCKET W/HUB	2
17	KBW1290	SHAFT, HOOP DRIVE	1
18	5/8-11 LN	LOCK NUT, NYLON INSERT	2
19	5/8 FW	FLAT WASHER	6 AS REQUIRED
20	5/8-11 X 2 RHSN	CARRIAGE BOLT, GRADE 5	2
21	K 1/4 X 1-1/2	SQUARE KEY	3
22	5/8-11 X 1-3/4 UNC	HEX BOLT, GRADE 5	4
23	5/8 LW	SPRING LOCK WASHER	4
24	L100-N-9_8KW	COUPLING HUB, 1-1/8" ID	1
25	KBW1216-B	BEARING MOUNT	1
26	1/2-13 X 1 UNC	HEX BOLT, GRADE 5	2



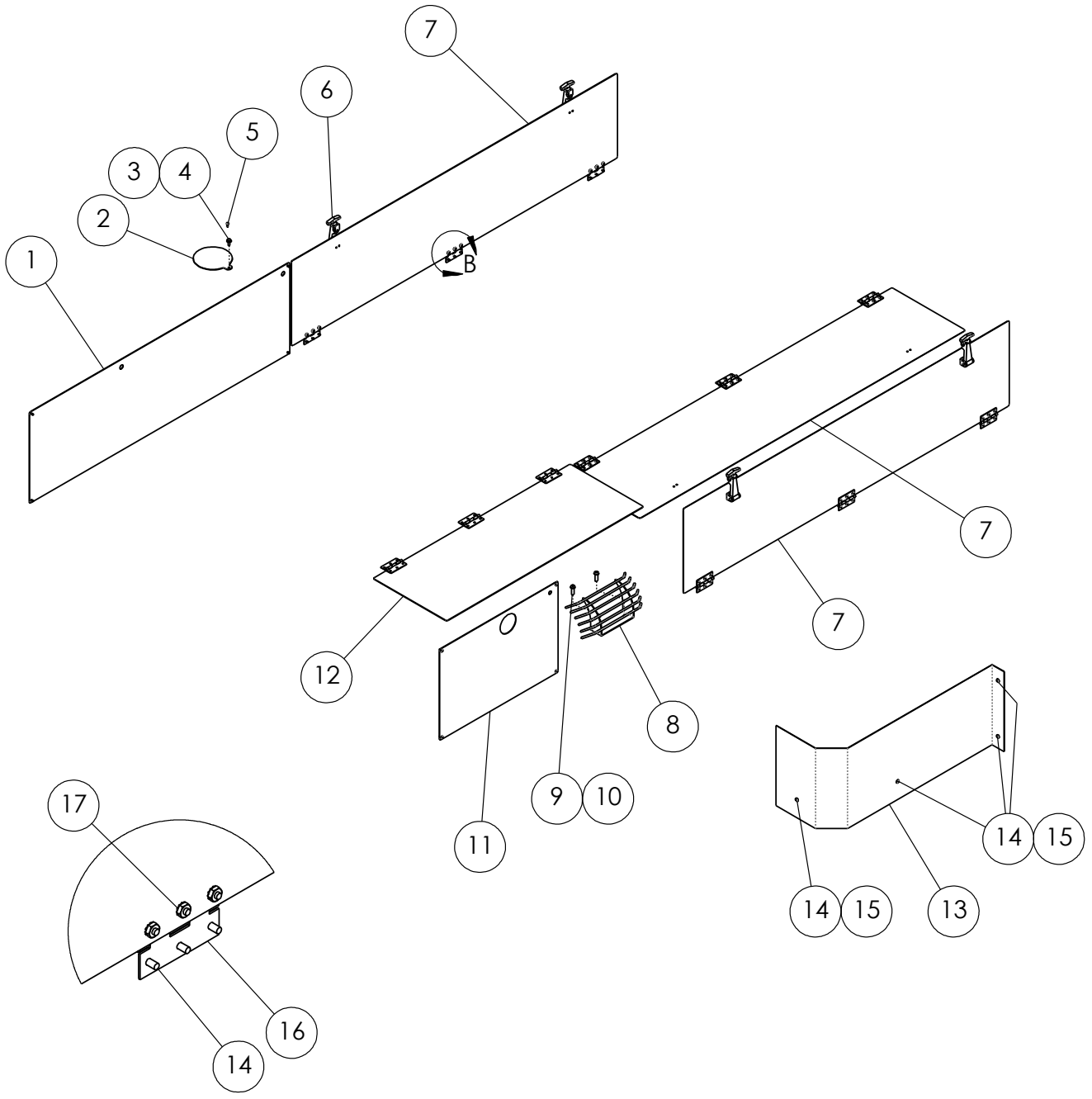
KBW054 WEB DRIVE JACKSHAFT

ITEM NO.	PART NUMBER	DESCRIPTION	QTY.
1	NAP 206-18	1-1/8" ID PILLOW BLOCK BEARING	2
2	5/8-11 X 2 UNC	HEX BOLT, GRADE 5	4
3	3/8 LW	SPRING LOCK WASHER	4
4	3/8-16 X 1 UNC	HEX BOLT, GRADE 5	4
5	60B9 X 1	ROLLER CHAIN SPROCKET W/HUB	1
6	3/8-16 X 5/8 SHSS	SOCKET HEAD SET SCREW, CUP POINT	8
7	5/8-11 X 2-1/2 UNC	HEX BOLT, GRADE 5	1
8	6011E10	IDLER, #60 CHAIN, 5/8" ID, 11 TOOTH	1
9	5/8 FW	FLAT WASHER	7
10	Y-6400-O-8-10	ADAPTER, STRAIGHT, 3/4" 37° JIC - 7/8" M O-RING	2
11	4000-910	SEAL, O-RING BOSS	2
12	5/8-11 LN	LOCK NUT, NYLON INSERT	5
13	101-1501-009	HYDRAULIC MOTOR, 159 cc	1
	60540-000	SEAL KIT, BUNA-N	
	60545-000	SEAL KIT, VITON HIGH PRESSURE	
14	1/4 X 1 WK	WOODRUFF KEY, FULL RADIUS	1
15	Y-6900-O-4-4	ADAPTER, 7/16" M O-RING - 1/4" FPT SWIVEL	1
16	4000-904	SEAL, O-RING BOSS	1
17	#60-1	#60 ROLLER CHAIN, 73 LINKS	1
18	60B60 X 1-1/8	ROLLER CHAIN SPROCKET W/HUB	1
19	KBW1168	JACK SHAFT	1
20	K 1/4 X 2	SQUARE KEY	2
21	KBW1112	SPROCKET SPACER	1
22	60BS10 X 1-1/8	ROLLER CHAIN SPROCKET W/HUB	2



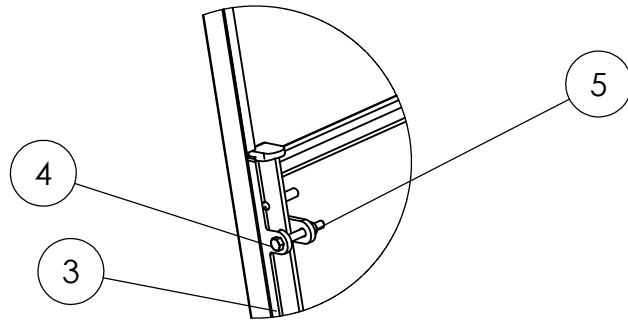
KBW053 WEB DRIVE ASSEMBLY

ITEM NO.	PART NUMBER	DESCRIPTION	QTY.
1	KBW1030	SPROCKET, WEB	2
2	1/4-20 X 5/8 SHSS	SOCKET HEAD SET SCREW, CUP POINT	2
3	KBW1166	SHAFT, WEB DRIVE	1
4	KBW1192	WEB DRIVE DOUBLE GEAR	1
5	#60-2	#60 DOUBLE ROLLER CHAIN, 89 LINKS	1
6	5/8-11 X 4 UNC	HEX BOLT, GRADE 5	1
7	6011E10	IDLER, #60 CHAIN, 5/8" ID, 11 TOOTH	2
8	KBW1108	BUSHING, WEB IDLER	1
9	5/8 FW	FLAT WASHER	3
10	3/8-16 X 5 X 5	HEX BOLT, FULL THREAD, GRADE 5	1
11	3/8 FW	FLAT WASHER	1
12	3/8-16 UNC	HEX NUT, GRADE 5	2
13	KBW1258	WEB DRIVE TENSIONER	1
14	K 3/8 X 2	SQUARE KEY	3
15	NAP 208-24	1-1/2" ID PILLOW BLOCK BEARING	3
16	5/8-11 X 1-3/4 UNC	HEX BOLT, GRADE 5	6
17	LOCTITE™ 242	MEDIUM-STRENGTH THREADLOCKER	1

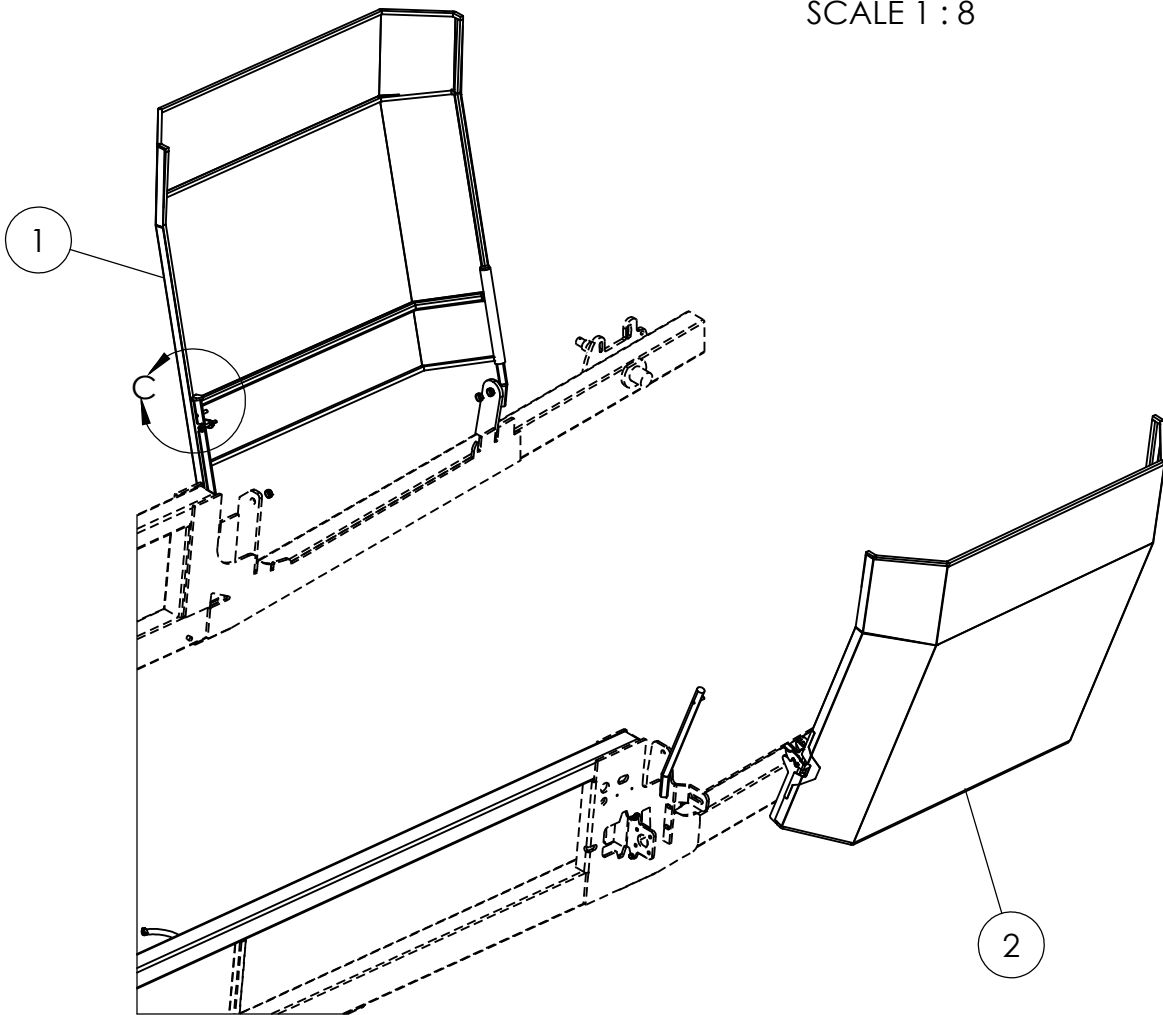


KBW046 ENGINE COMPARTMENT COVERS

ITEM NO.	PART NUMBER	DESCRIPTION	QTY.
1	KBW1078	PANEL, TANK SIDE COVER	1
2	KBW1008	COVER, HYDRAULIC FILL	1
3	1/4 FW	FLAT WASHER	1
4	1/4-20 X 3/4 UNC	HEX BOLT, GRADE 5	1
5	10-24 X 1/2	PAN HEAD SCREW	1
6	32818528	RUBBER HOOD LATCH	4
7	KBW1079	PANEL, LARGE DOOR	3
8	KBW072	ROTATING SCREEN GUARD	1
9	3/8-16 X 1-1/4 SBHS	BUTTON HEAD SCREW, INTERNAL HEX, GRADE 5	2
10	5/16 LW	SPRING LOCK WASHER	2
11	KBW1081	PANEL, SMALL SIDE (TRANSMITTER)	1
12	KBW1080	PANEL, SMALL DOOR (ENGINE)	1
13	KBW1341	SCREEN, CHAIN SHIELD	1
14	10-24 X 3/8	PAN HEAD SCREW	84
15	#10 FW	FLAT WASHER	4
16	32834533	LEAF HINGE	12
17	FKN010	10-24 KEPS NUT	36

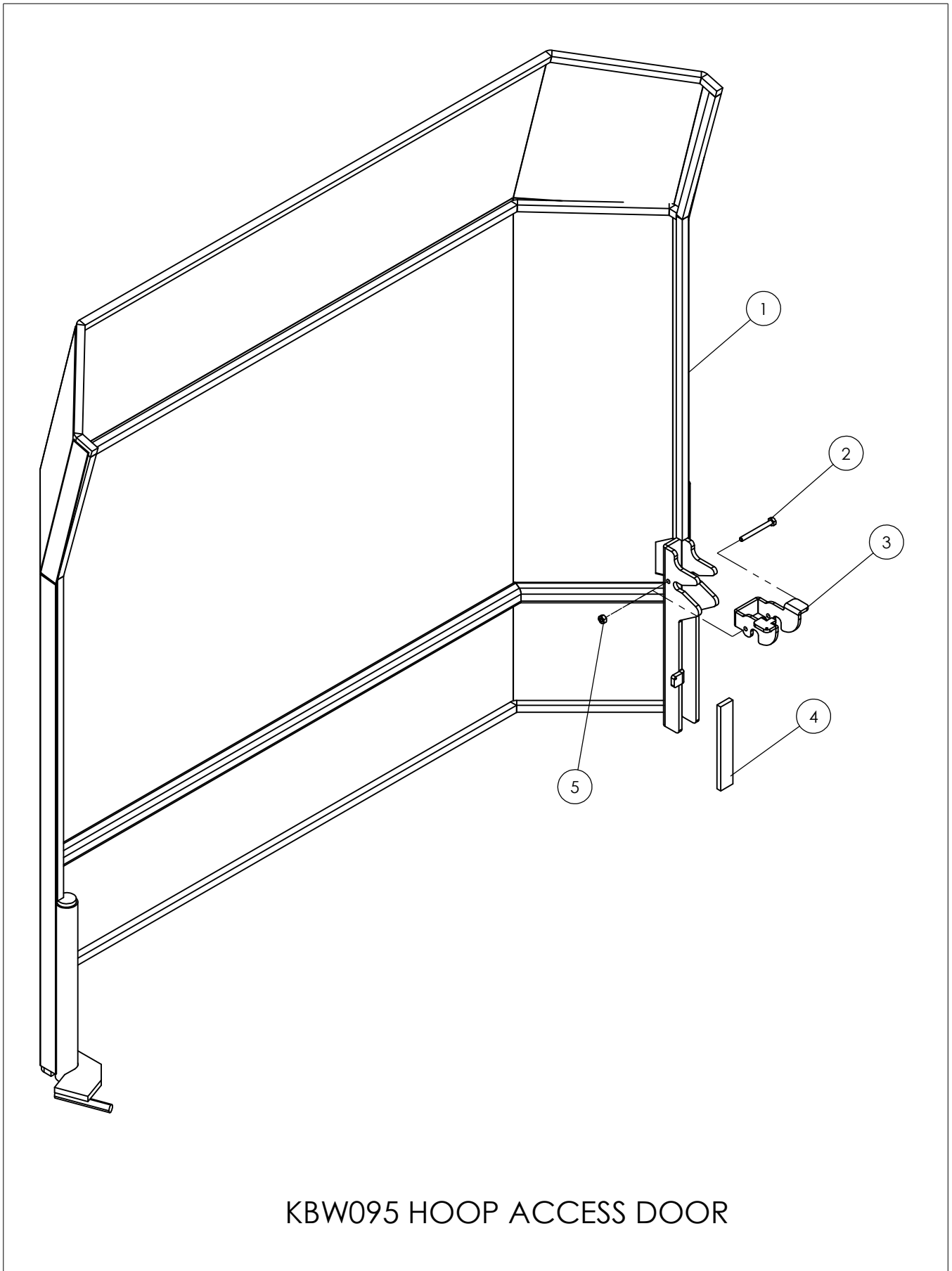


DETAIL C
SCALE 1 : 8



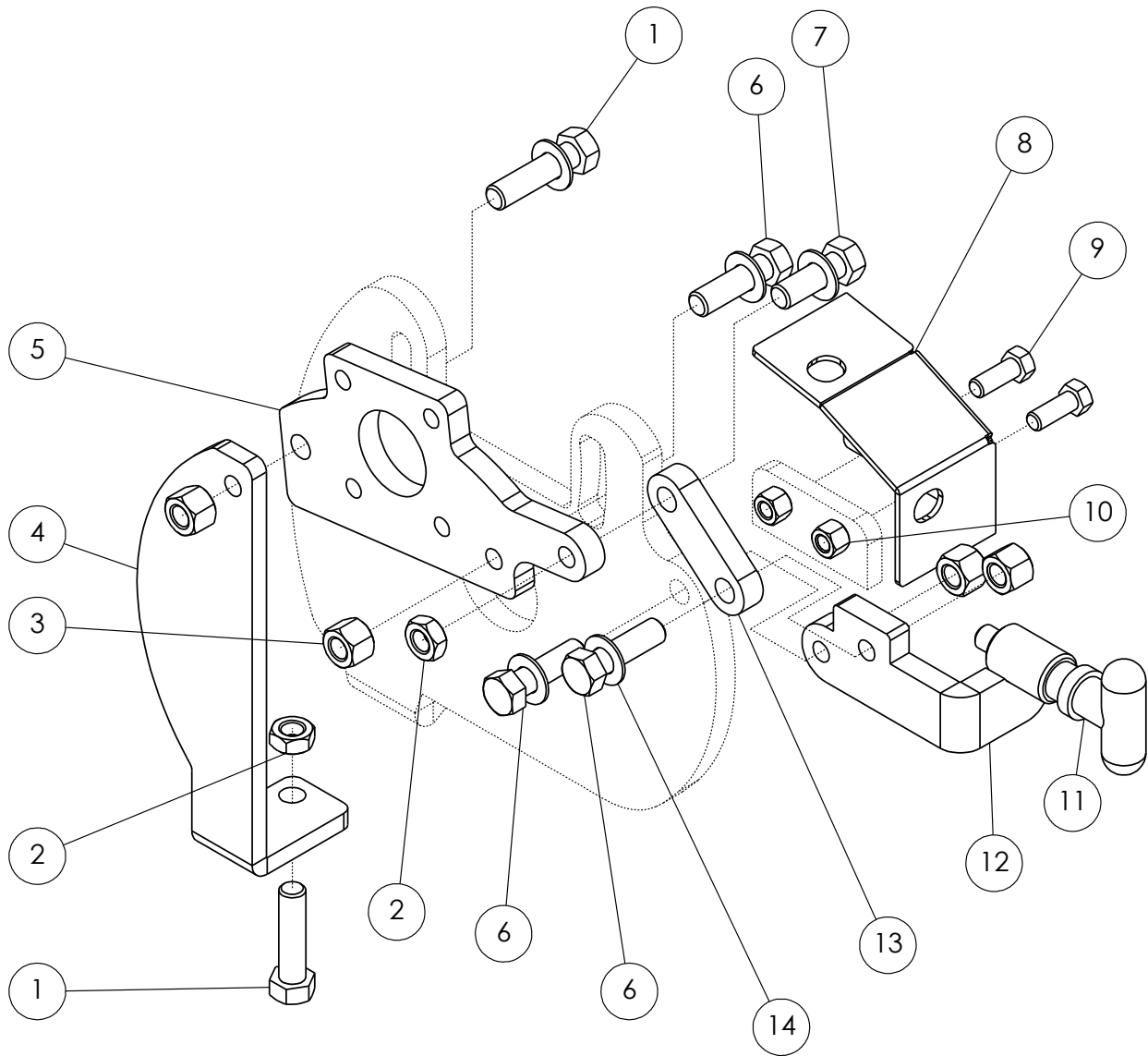
KBW MODEL 355 HOOP SHIELDS

ITEM NO.	PART NUMBER	DESCRIPTION	QTY.
1	KBW018-14-RH	SHIELD, RH HOOP	1
2	KBW095	HOOP ACCESS DOOR - SEE PAGE #43	1
3	CS-4712ST-100	BUMPER PAD	1
4	5/16-18 X 2-1/2 UNC	HEX BOLT, GRADE 5	1
5	5/16-18 LN	LOCK NUT, NYLON INSERT	1



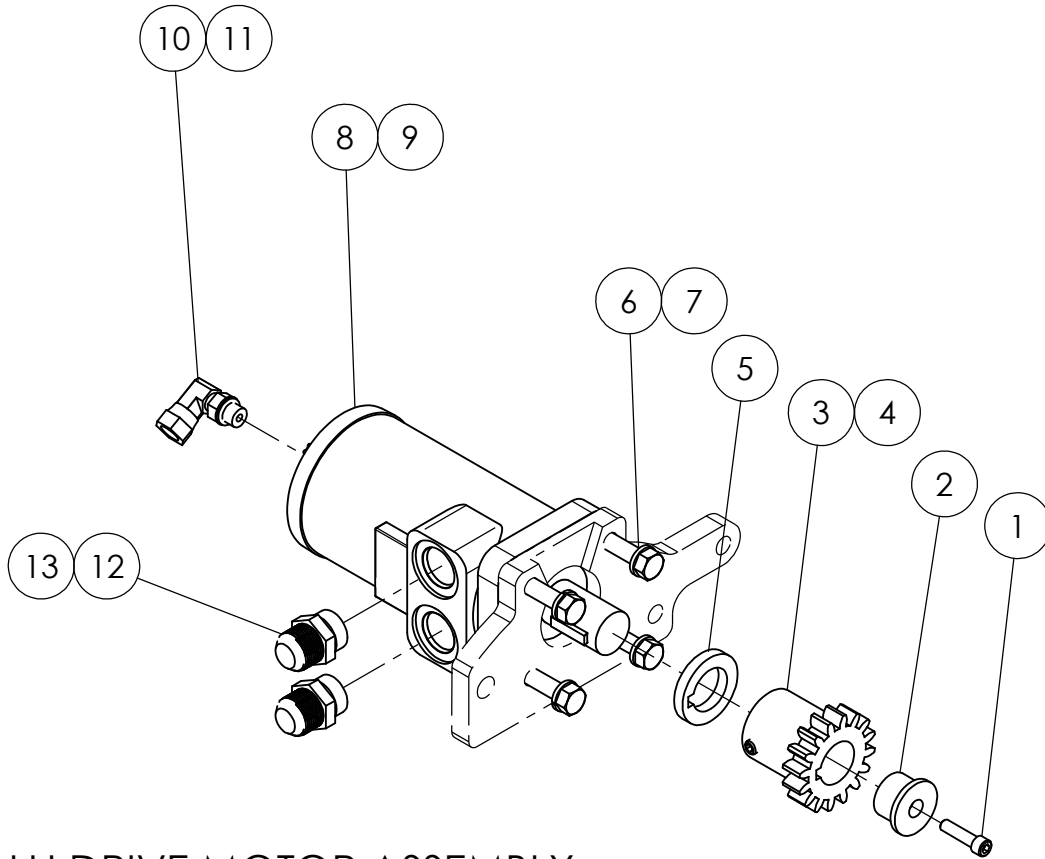
KBW095 HOOP ACCESS DOOR

ITEM NO.	PART NUMBER	DESCRIPTION	QTY.
1	KBW018-14-LH	SHIELD, LH HOOP	1
2	1/4-20 X 2-1/2 UNC	HEX BOLT, GRADE 5	1
3	KBW1393	LATCH FLIPPER	1
4	CS-4712ST-100	BUMPER PAD	1
5	1/4-20 UNC	HEX NUT, GRADE 5	1
6	340174	EXTENSION SPRING, 6" (NOT SHOWN)	1



KBW022R13 DRIVE LINKAGE

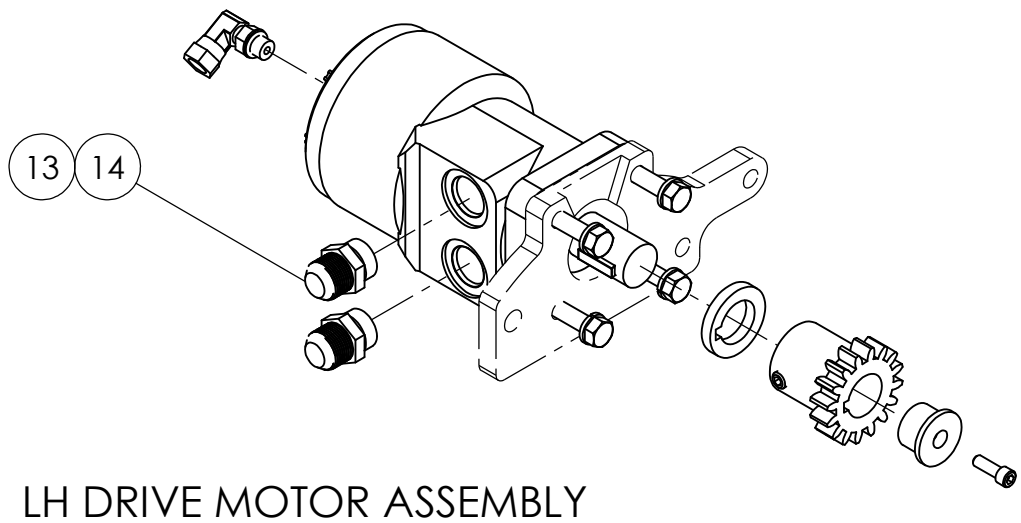
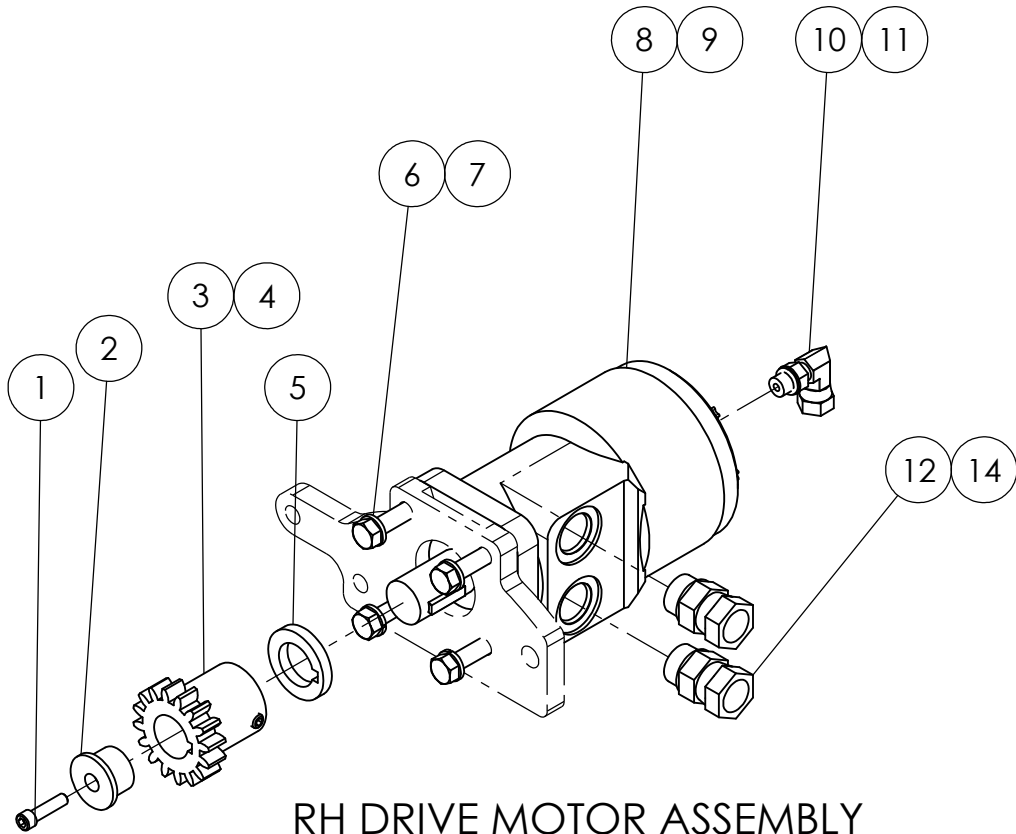
ITEM NO.	PART NUMBER	DESCRIPTION	QTY.
1	1/2-13 X 2 UNC	HEX BOLT, GRADE 5	2
2	1/2-13 JAM	HEX JAM NUT, GRADE 5	2
3	1/2-13 LN	LOCK NUT, NYLON INSERT	4
4	KBW1071-LH KBW1071-RH	PLATE, DRIVE SPRING, PRO & PRO-2 PLATE, DRIVE SPRING, PRO-2 DUAL DRIVE	1
5	KBW1070	MOUNT, DRIVE MOTOR	1
6	1/2-13 X 1-3/4 UNC	HEX BOLT, GRADE 5	3
7	1/2-13 X 1-1/2 UNC	HEX BOLT, GRADE 5	1
8	KBW1225-LH KBW1225-RH	DRIVE LATCH PLATE, PRO & PRO-2 DRIVE LATCH PLATE, PRO-2 DUAL DRIVE	1
9	3/8-16 X 1 UNC	HEX BOLT, GRADE 5	2
10	3/8-16 LN	LOCK NUT, NYLON INSERT	2
11	09300088	QUICK RELEASE PIN	1
12	KBW030-LH KBW030-RH	DRIVE HANDLE, PRO & PRO-2 DRIVE HANDLE, PRO-2 DUAL DRIVE	1
13	KBW1245	LINK, DRIVE	1
14	FW 1/2	FLAT WASHER	5



LH DRIVE MOTOR ASSEMBLY

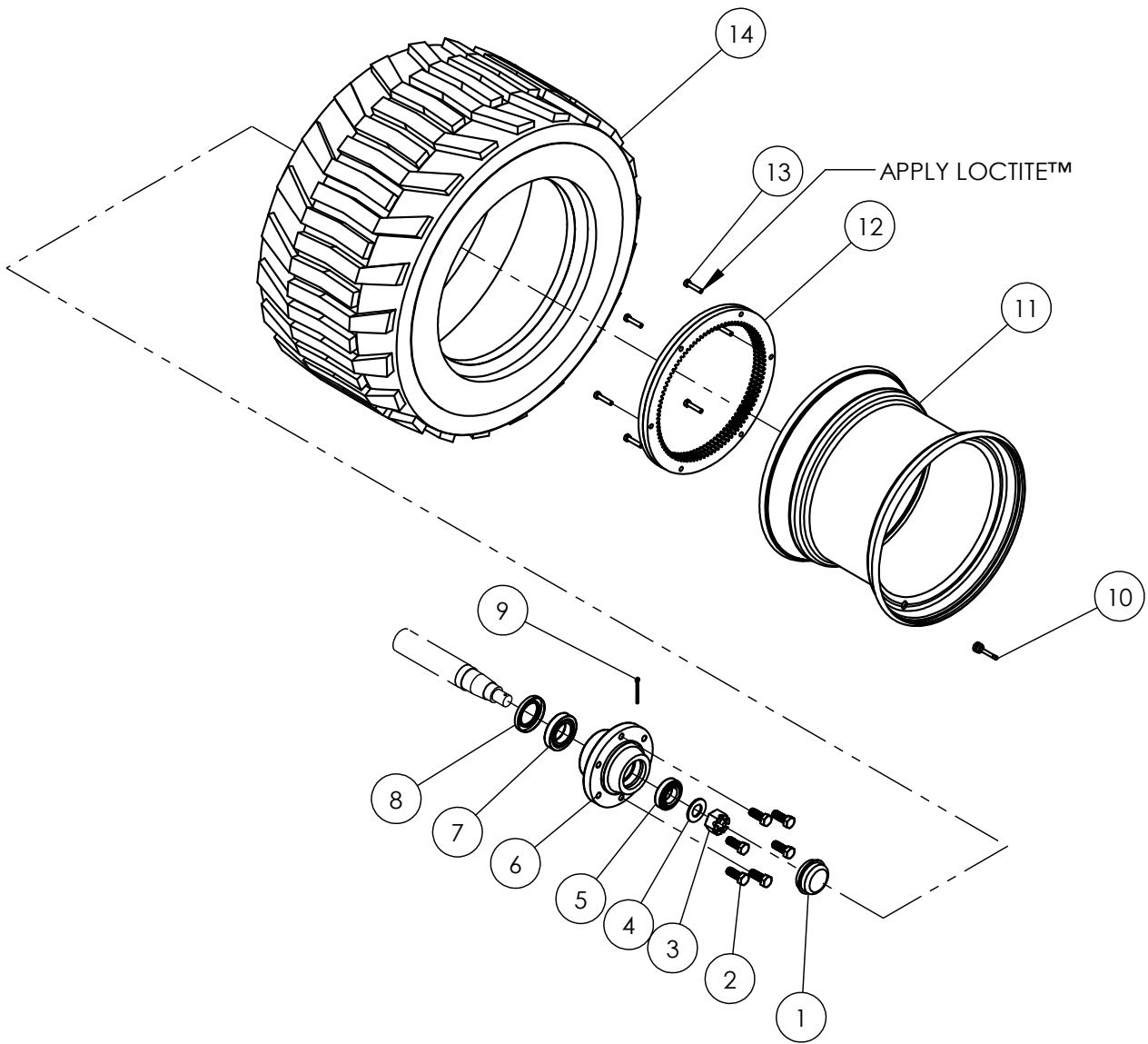
PRO SINGLE WHEEL DRIVE MOTOR

ITEM NO.	PART NUMBER	DESCRIPTION	QTY.
1	1/4-20 X 1 SHCS	SOCKET HEAD CAP SCREW	1
2	KBW1409	RETAINER, GEAR	1
3	8FS16	SPUR GEAR	1
4	5/16-18 X 5/16 SHSS	SOCKET HEAD SET SCREW, CUP POINT	1
5	KBW1408	SPACER, SPUR GEAR	1
6	3/8 LW	SPRING LOCK WASHER	4
7	3/8-16 X 1-1/4 UNC	HEX BOLT, GRADE 5	4
8	101-2435-009	HYDRAULIC MOTOR, 294 cc	1
	60540-000	SEAL KIT, BUNA-N	
	60545-000	SEAL KIT, VITON HIGH PRESSURE	
9	1/4 X 1 WK	WOODRUFF KEY, FULL RADIUS	1
10	Y-6901-F-NWO-4-4	ADAPTER, 90°, 7/16" M O-RING - 1/4" FPT SWIVEL	1
11	4000-904	SEAL, O-RING BOSS	1
12	Y-6400-O-8-10	ADAPTER, STRAIGHT, 3/4" 37° JIC - 7/8" M O-RING	2
13	4000-910	SEAL, O-RING BOSS	2



PRO-2 DOUBLE WHEEL DRIVE MOTORS

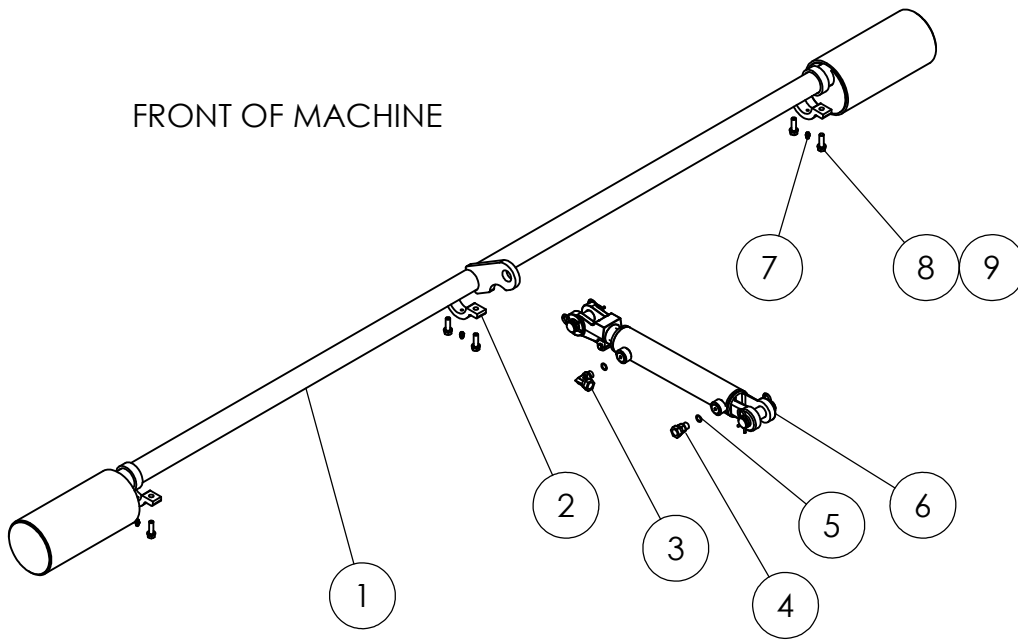
ITEM NO.	PART NUMBER	DESCRIPTION	QTY. EACH
1	1/4-20 X 1 SHCS	SOCKET HEAD CAP SCREW	1
2	KBW1409	RETAINER, GEAR	1
3	8FS16	SPUR GEAR	1
4	5/16-18 X 5/16 SHSS	SOCKET HEAD SET SCREW, CUP POINT	1
5	KBW1408	SPACER, SPUR GEAR	1
6	3/8 LW	SPRING LOCK WASHER	4
7	3/8-16 X 1-1/4 UNC	HEX BOLT, GRADE 5	4
8	103-2014-012	HYDRAULIC MOTOR, 243 cc	1
	60539-000	SEAL KIT, BUNA-N	
	60546-000	SEAL KIT, VITON HIGH PRESSURE	
9	1/4 X 1 WK	WOODRUFF KEY, FULL RADIUS	1
10	Y-6901-F-NWO-4-4	ADAPTER, 90°, 7/16" M O-RING - 1/4" FPT SWIVEL	1
11	4000-904	SEAL, O-RING BOSS	1
12	Y-6900-O-10-8	ADAPTER, 7/8" M O-RING - 1/2" FPT SWIVEL, RH MOTOR ONLY	2
13	Y-6400-O-8-10	ADAPTER, 3/4" 37° JIC - 7/8" M O-RING, LH MOTOR ONLY	2
14	4000-910	SEAL, O-RING BOSS	2



KBW096-LH
DRIVE WHEEL ASSEMBLY

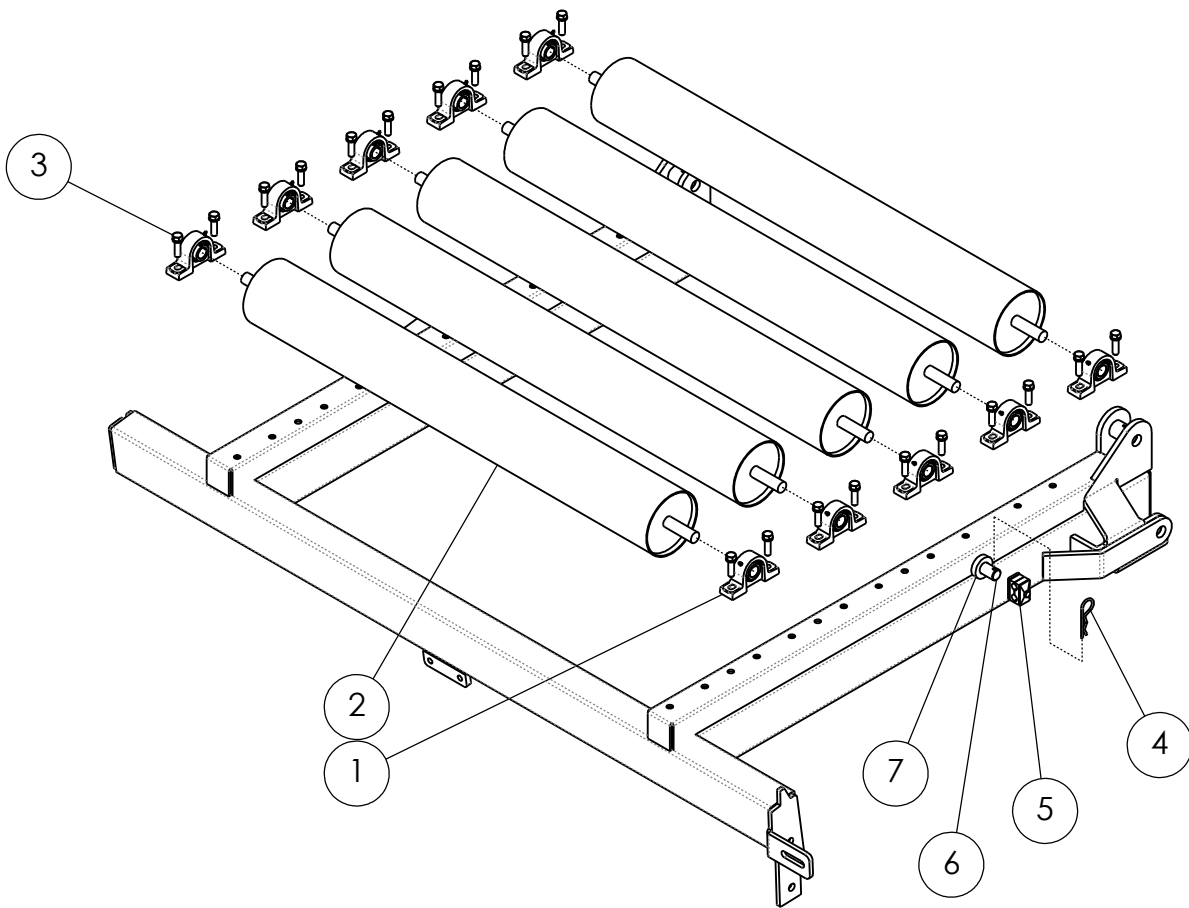
ITEM NO.	PART NUMBER	DESCRIPTION	QTY.
1	CAP 2.6	GREASE CAP, 2.56" OD	1
2	LB 0.56-18	9/16-18 X 1-1/4 LUG BOLT	6
3	1-12 SLOT	HEX SLOTTED NUT	1
4	1 FW	FLAT WASHER, 1.062 X 2 X 0.134	1
5	LM48548-LM48510	TAPERED ROLLER BEARING SET, 1.375 ID X 2.563 OD	1
6	EM5000-6	6 BOLT HUB	1
7	LM603049-LM603011	TAPERED ROLLER BEARING SET, 1.781 ID X 3.063 OD	1
8	203063	GREASE SEAL, 2" ID X 3.066 OD	1
9	CP-188X2000	3/16" X 2" COTTER PIN	1
10	VS-1	VALVE STEM	1
11	KBW094	DRIVE WHEEL, 12" X 16.5"	1
12	KBW1075	DRIVE GEAR	2
13	5/16-18 X 1-1/2 UNC	HEX BOLT, GRADE 5	6
14	31 x 15.5-16.5	BAR TIRE	1
15	CL0108-098	LUBRIPLATE 3000, HI-TACK MOLYBDENUM GREASE	1
16	LOCTITE™ 242	MEDIUM-STRENGTH THREADLOCKER	1

FRONT OF MACHINE



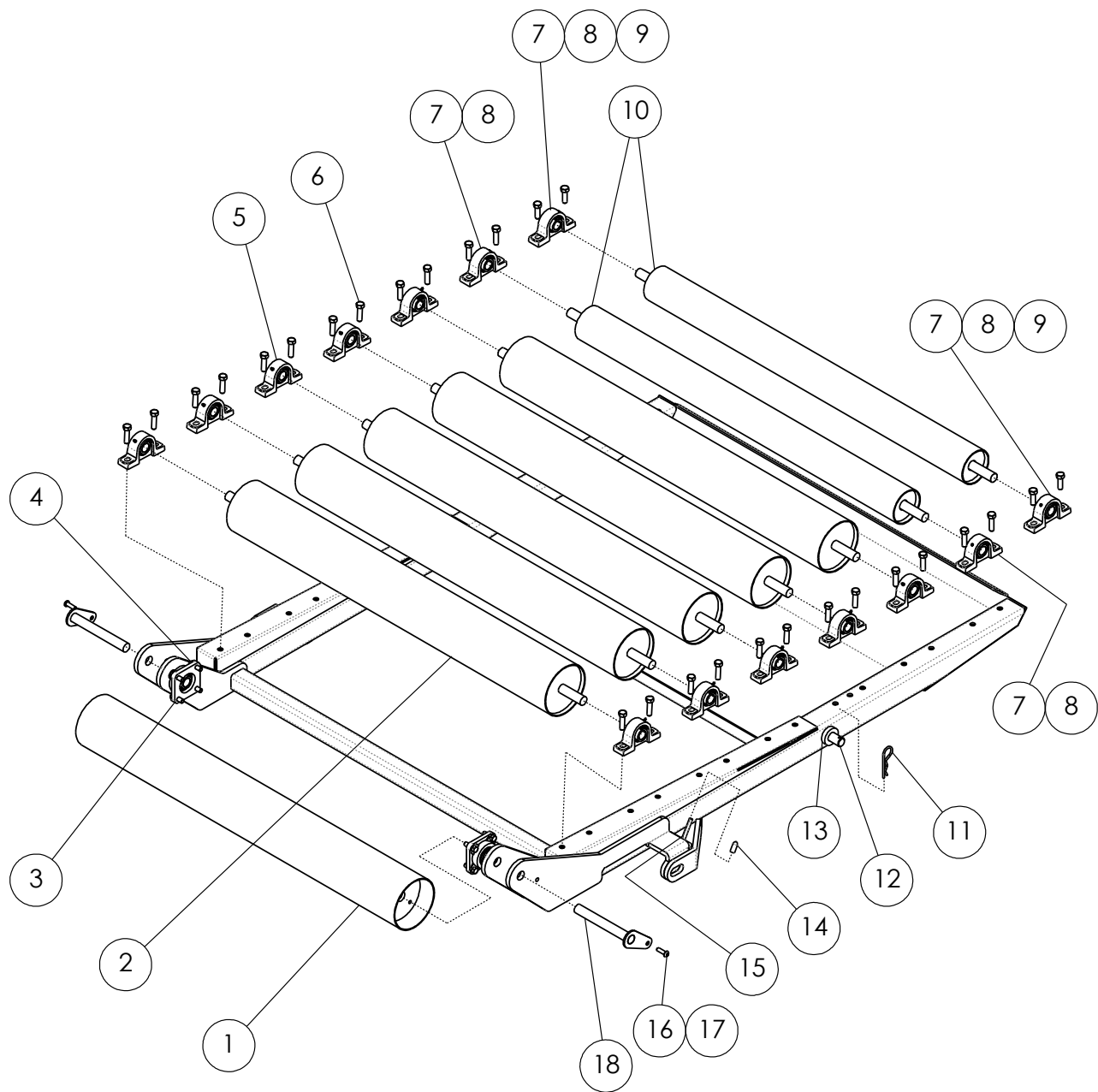
KBW086 BRAKE ASSEMBLY

ITEM NO.	PART NUMBER	DESCRIPTION	QTY.
1	KBW1390	SHAFT, BRAKE CROSS	1
2	KBW1227	BRAKE MOUNT CAP	3
3	Y-6901-F-NWO-6-6	ADAPTER, 90°, 9/16" M O-RING - 3/8" FPT SWIVEL	1
4	Y-6900-O-6-6	ADAPTER, 9/16" M O-RING - 3/8" FPT SWIVEL	1
5	4000-906	SEAL, O-RING BOSS	2
6	DBH-2008-A	2" ROD X 8" STROKE HYDRAULIC CYLINDER	1
7	EQZ4ST	GREASE FITTING, 1/4-28 UNF, STRAIGHT	3
8	3/8-16 X 1-1/4 UNC	HEX BOLT, GRADE 5	6
9	3/8 LW	SPRING LOCK WASHER	6



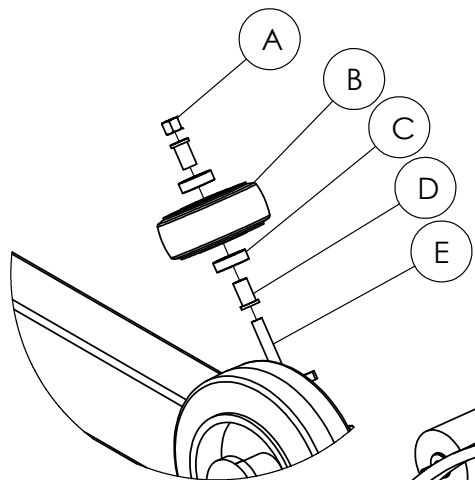
KBW RAMP 260 RAMP ROLLERS

ITEM NO.	PART NUMBER	DESCRIPTION	QTY.
1	UCP 205-16	1" ID PILLOW BLOCK BEARING	10
2	KBW011	6" ROLLER WELDMENT	5
3	1/2-13 X 1-3/4 UNC	HEX BOLT, GRADE 5	20
4	FBP6	SPRING CLIP	1
5	T-2010S	HOSE CLAMP, DOUBLE 3/8"	2
6	KBW1157	GATE LATCH POST (WELD ON)	1
7	KBW1085	SPACER WASHER (WELD ON)	1

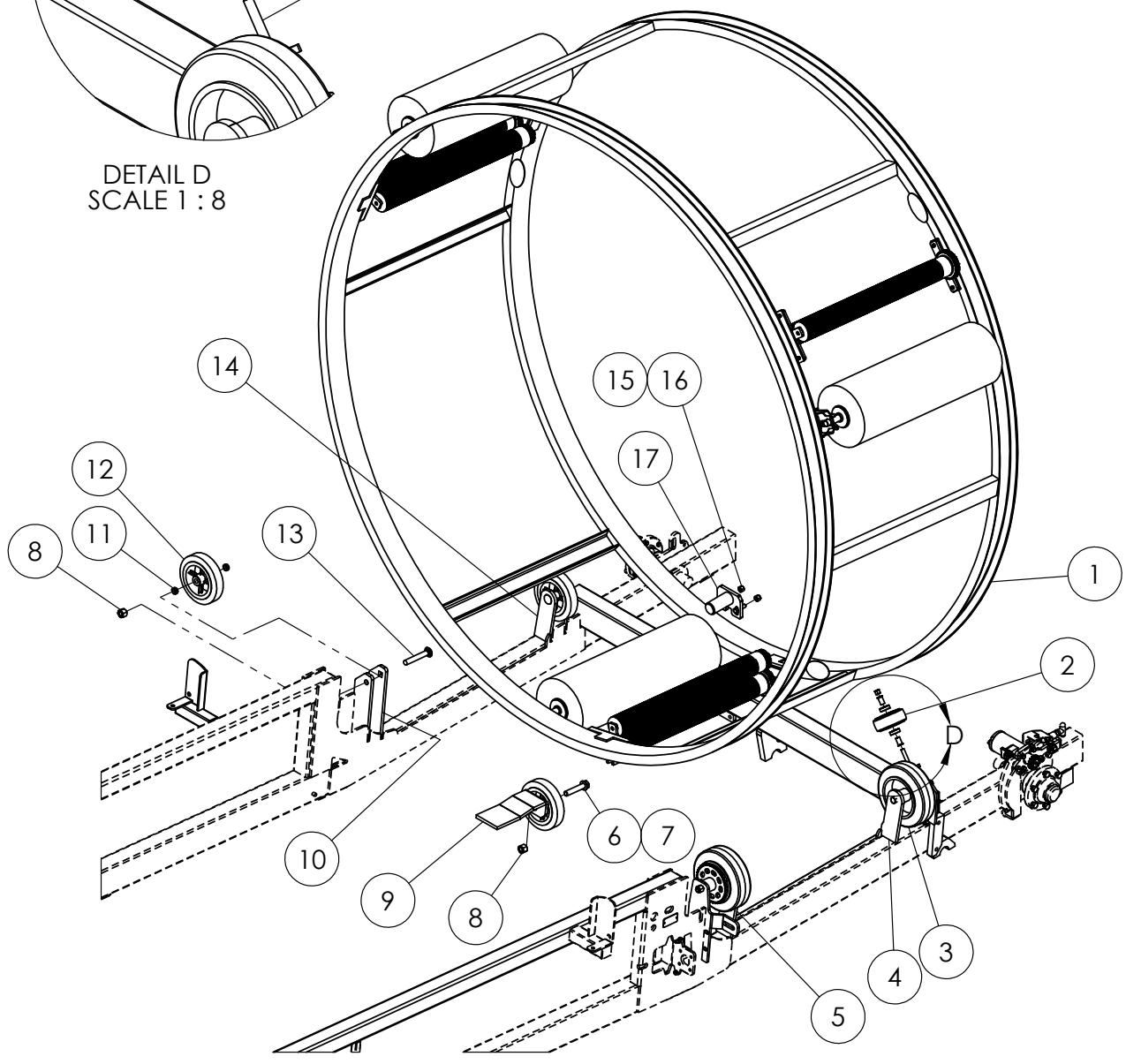


KBW059 TAILGATE COMPLETE

ITEM NO.	PART NUMBER	DESCRIPTION	QTY.
1	KBW111	PIVOT ROLLER, 6"	1
2	KBW011	6" ROLLER WELDMENT	5
3	NANF 205-16	1" ID 4-BOLT FLANGE BEARING	2
4	7/16-14 X 1-1/4 UNC	HEX BOLT, GRADE 5	8
5	UCP 205-16	1" ID PILLOW BLOCK BEARING	10
6	1/2-13 X 1-3/4 UNC	HEX BOLT, GRADE 5	24
7	UCP 205-16	1" ID PILLOW BLOCK BEARING, REPLACE ZERK W/PLUG	4
8	M6 X 6 SHSS	SOCKET HEAD SET SCREW, CUP POINT, FOR ITEM #7	4
9	1/2-13 X 1-1/2 UNC	HEX BOLT, GRADE 5	4
10	KBW010	4" ROLLER WELDMENT	2
11	FBP6	SPRING CLIP	1
12	KBW1157	GATE LATCH POST (WELD ON)	1
13	KBW1085	SPACER WASHER (WELD ON)	1
14	31992217	PLASTIC CAP	1
15	KBW1164	HOLDER, GATE LATCH (WELD ON)	1
16	3/8-16 X 1-1/4 SBHS	BUTTON HEAD SCREW, INTERNAL HEX, GRADE 5	2
17	3/8-16 LN	LOCK NUT, NYLON INSERT	2
18	KBW1169	TAILGATE PIVOT PIN	2

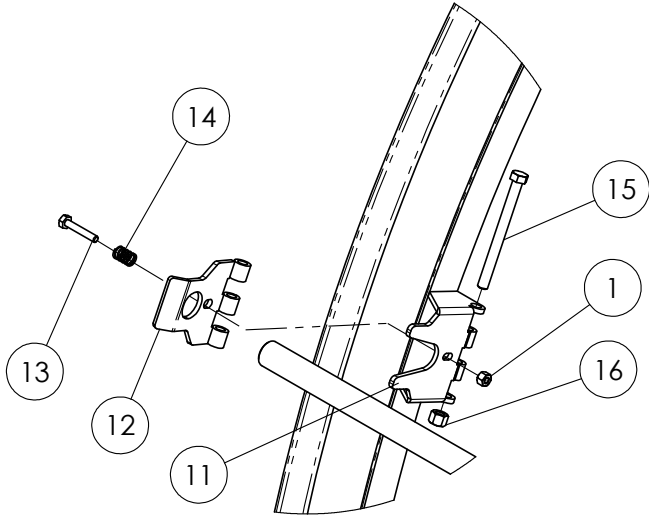


DETAIL D
SCALE 1 : 8

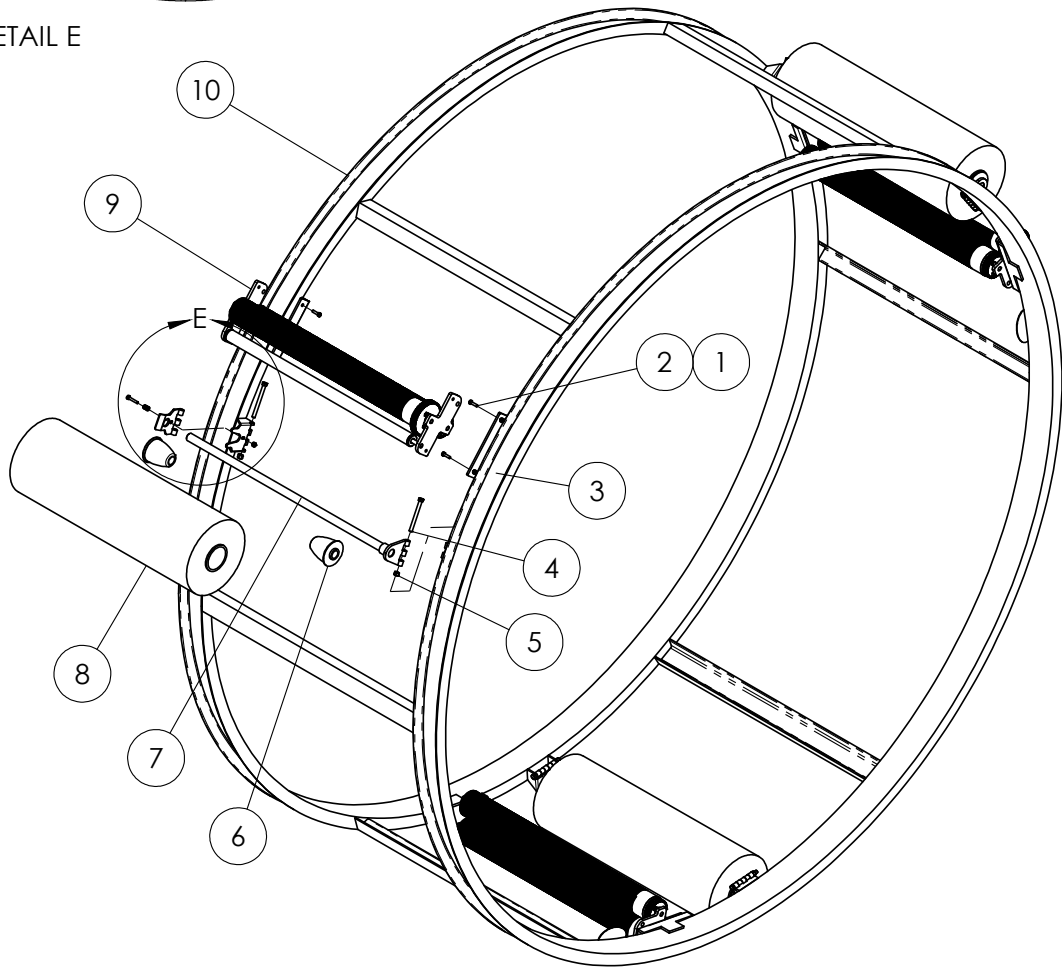


KBW MODEL 355 WRAP HOOP
AND ROLLERS

ITEM NO.	PART NUMBER	DESCRIPTION	QTY.
1	KBW014	WRAP HOOP - SEE PAGE #61	1
2	KBW097	HOOP GUIDE ROLLER ASSEMBLY	1
A	1/2-13 LN	LOCK NUT, NYLON INSERT	1
B	529ERN63U-T	NYLON CASTER WHEEL, 5"	1
C	6203	RADIAL BALL BEARING	2
D	529ERN63U-T-BUSHING	BUSHING, RIMMED	2
E	1/2-13 X 3-1/2 RHSN	CARRIAGE BOLT, GRADE 5	1
3	KBW1170	HOOP DRIVE WHEEL ASSEMBLY - SEE PAGE #65	2
4	KBW1278	HOOP DRIVE BRACKET, SHORT	1
5	KBW1279	HOOP DRIVE BRACKET	1
6	3/4-10 X 4 UNC	HEX BOLT, GRADE 5	1
7	3/4 FW	FLAT WASHER	1
8	3/4-10 LN	LOCK NUT, NYLON INSERT	3
9	KBW1297-1	KEEPER WHEEL BRACKET (WELD ON)	1
10	KBW1283	HOOP IDLER TAB	1
11	KBW1292-2	IDLER WHEEL BEARING SPACER OUTER	6
12	8x2	RUBBER TIRE CASTER WHEEL	3
13	3/4-10 X 5 RHSN	CARRIAGE BOLT, GRADE 5	2
14	KBW1281	HOOP IDLER BRACKET LONG	1
15	1/2-13 X 1-3/4 UNC	HEX BOLT, GRADE 5	2
16	1/2-13 LN	LOCK NUT, NYLON INSERT	2
17	KBW056	HOOP HOLD-DOWN, REAR	1

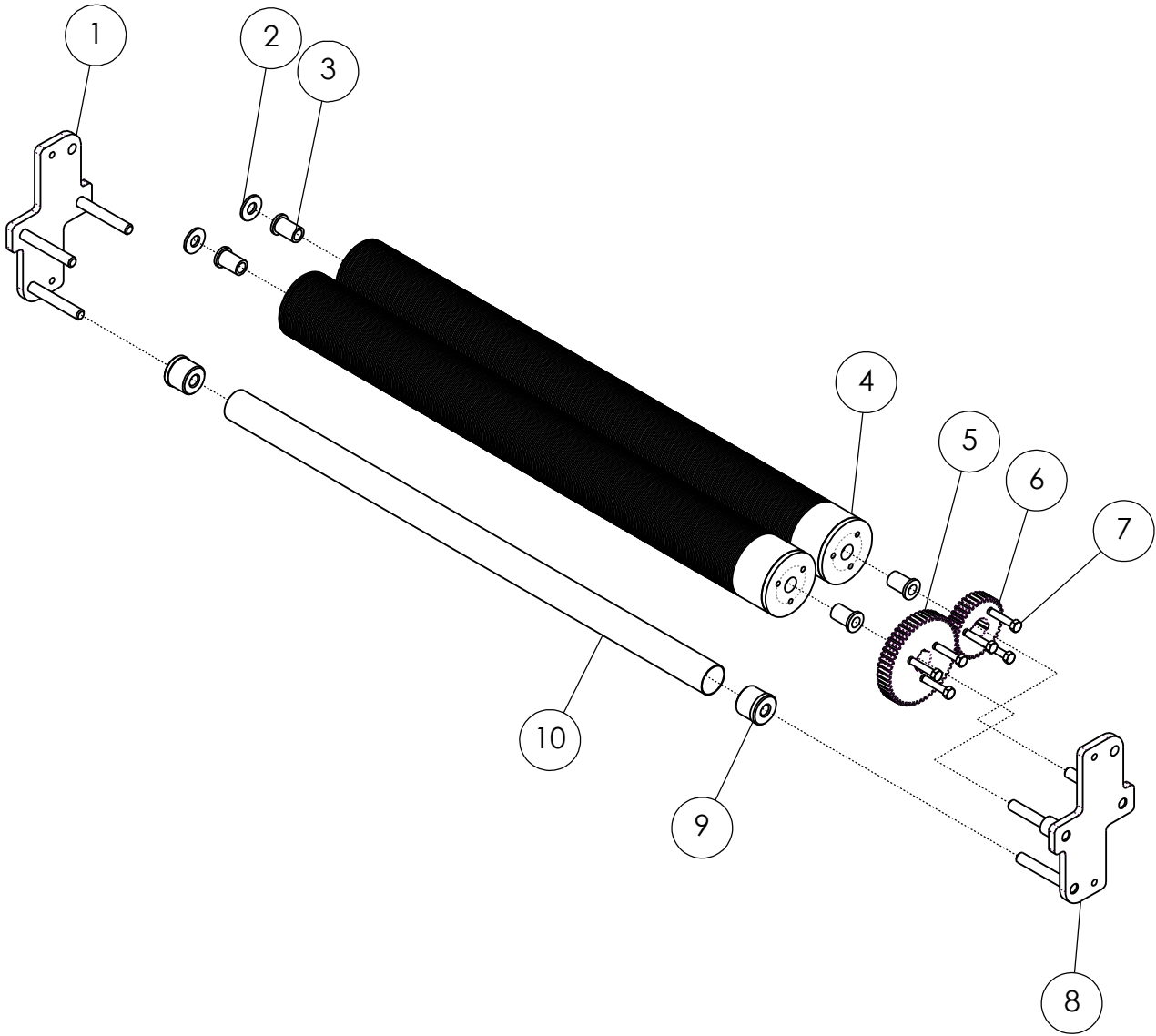


DETAIL E



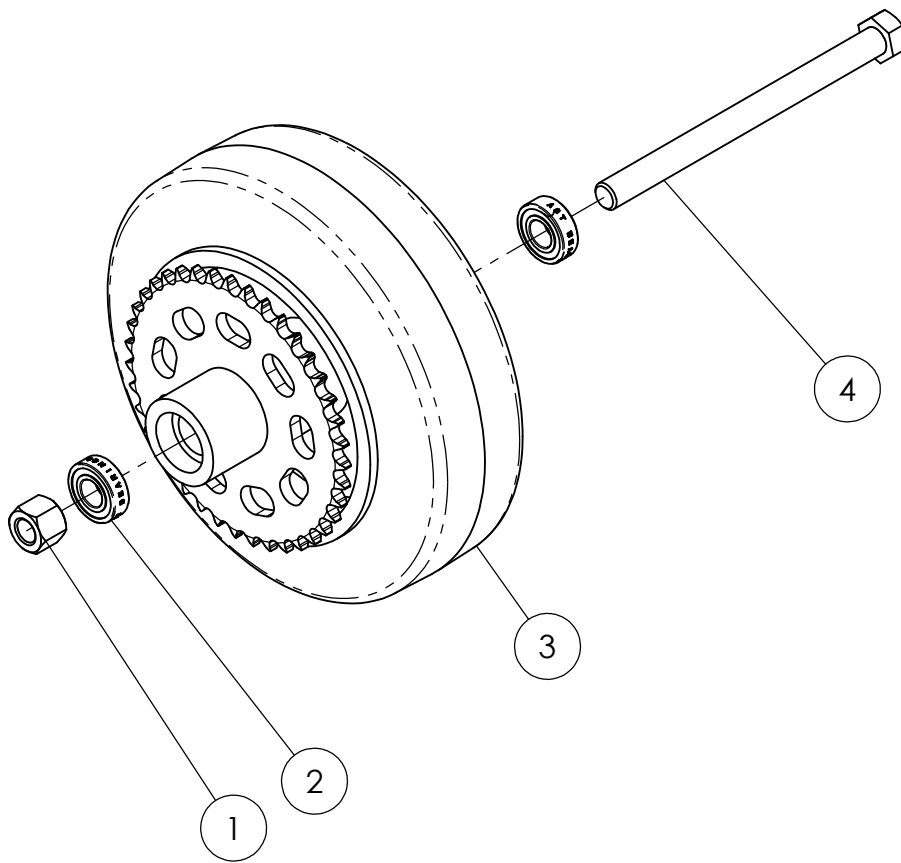
KBW014-16 HOOP ASSEMBLY

ITEM NO.	PART NUMBER	DESCRIPTION	QTY.
1	1/4-20 LN	LOCK NUT, NYLON INSERT	15
2	1/4-20 X 1 UNC	HEX BOLT, GRADE 5	12
3	Belting	*	2
4	3/8-16 X 4 UNC	HEX BOLT, GRADE 5	3
5	3/8-16 UNC	HEX NUT, GRADE 5	3
6	KBW1020	WRAP CONE	6
7	KBW1155	WRAP ROLL AXLE	3
8	FLAVOR SEAL	STRETCH WRAP	3
9	KBW051	WRAP DISPENSER, 3 ROLL - SEE PAGE #63	3
10	KBW014-16-W	HOOP WELDMENT, COMPLETE	1
11	KBW1380-W	LATCH GUIDE WELDMENT (WELD ON)	3
12	KBW1388	SLAM LATCH CATCH	3
13	1/4-20 X 1-1/2 UNC	HEX BOLT, GRADE 5	3
14	06812028	COMPRESSION SPRING	3
15	3/8-16 X 4-1/4 UNC	HEX BOLT, GRADE 5	3
16	3/8-16 LN	LOCK NUT, NYLON INSERT	3
17	Gorilla Glue™		1



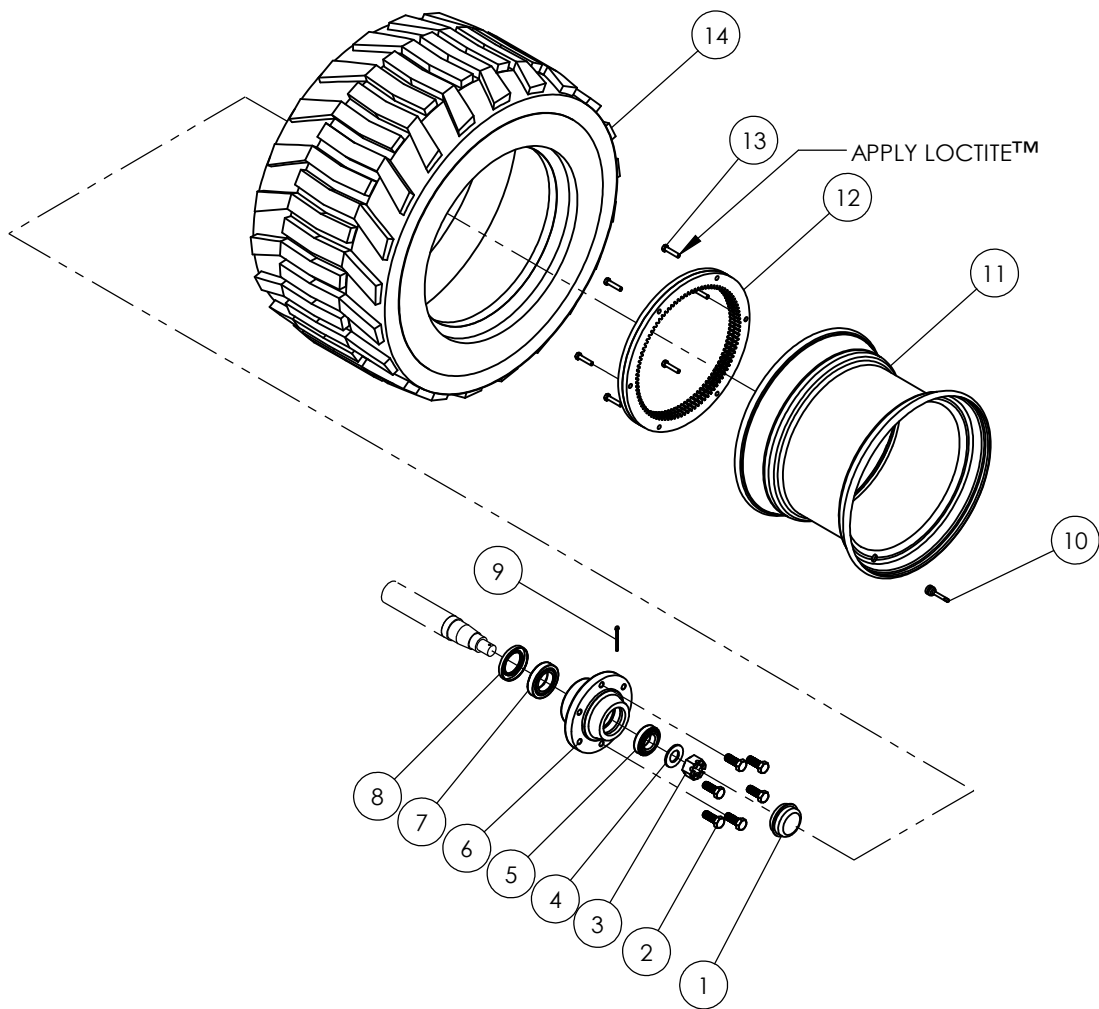
KBW051-3 WRAP DISPENSER, 3 ROLL

ITEM NO.	PART NUMBER	DESCRIPTION	QTY.
1	KBW1270-LH	DISPENSER YOKE, LH, BLANK HOLES	1
2	1/2 FW	FLAT WASHER	2
3	EF081220	FLANGED BRONZE BEARING, 0.5 X 0.75 X 1.25	4
4	KBW1128	ROLLER A, 3-1/2"	2
5	GD-52	DISPENSER GEAR, 52 TOOTH	1
6	GD-35	DISPENSER GEAR, 35 TOOTH	1
7	5/16-18 X 1-1/2 UNC	HEX BOLT, GRADE 5	6
8	KBW1270-RH	DISPENSER YOKE, RH, BLANK HOLES	1
9	KBW1323	1-1/2" ROLLER END	2
10	KBW1324	1-1/2" ROLLER	1



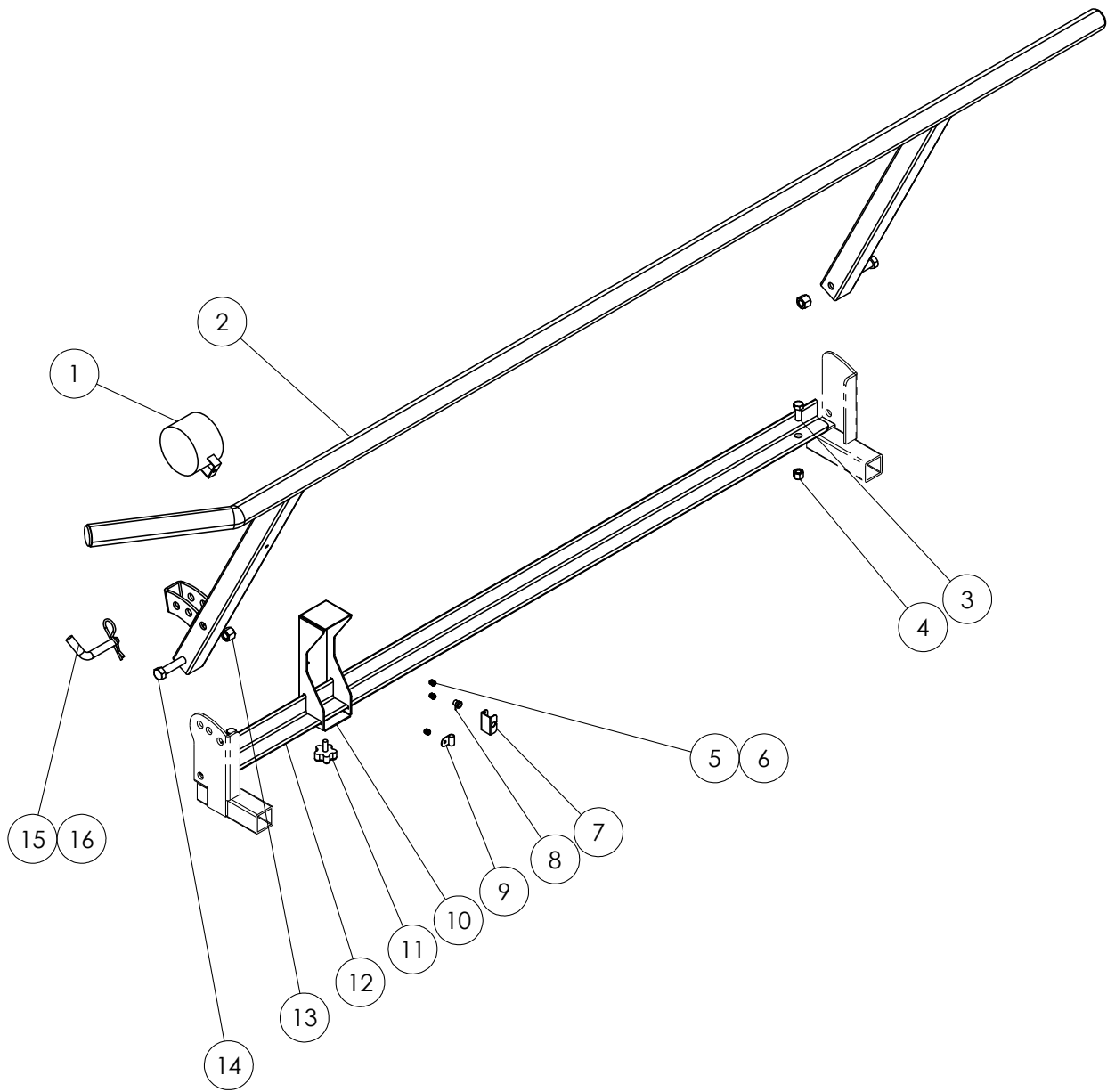
KBW1170 HOOP DRIVE WHEEL ASSEMBLY

ITEM NO.	PART NUMBER	DESCRIPTION	QTY.
1	5/8-11 LN	LOCK NUT, NYLON INSERT	1
2	1623-2RS	ROLLER BEARING	2
3	PR06080001	10 X 3-1/2 X 6 TIRE, SOLID	1
4	5/8-11 X 8 UNC	HEX BOLT, GRADE 5	1



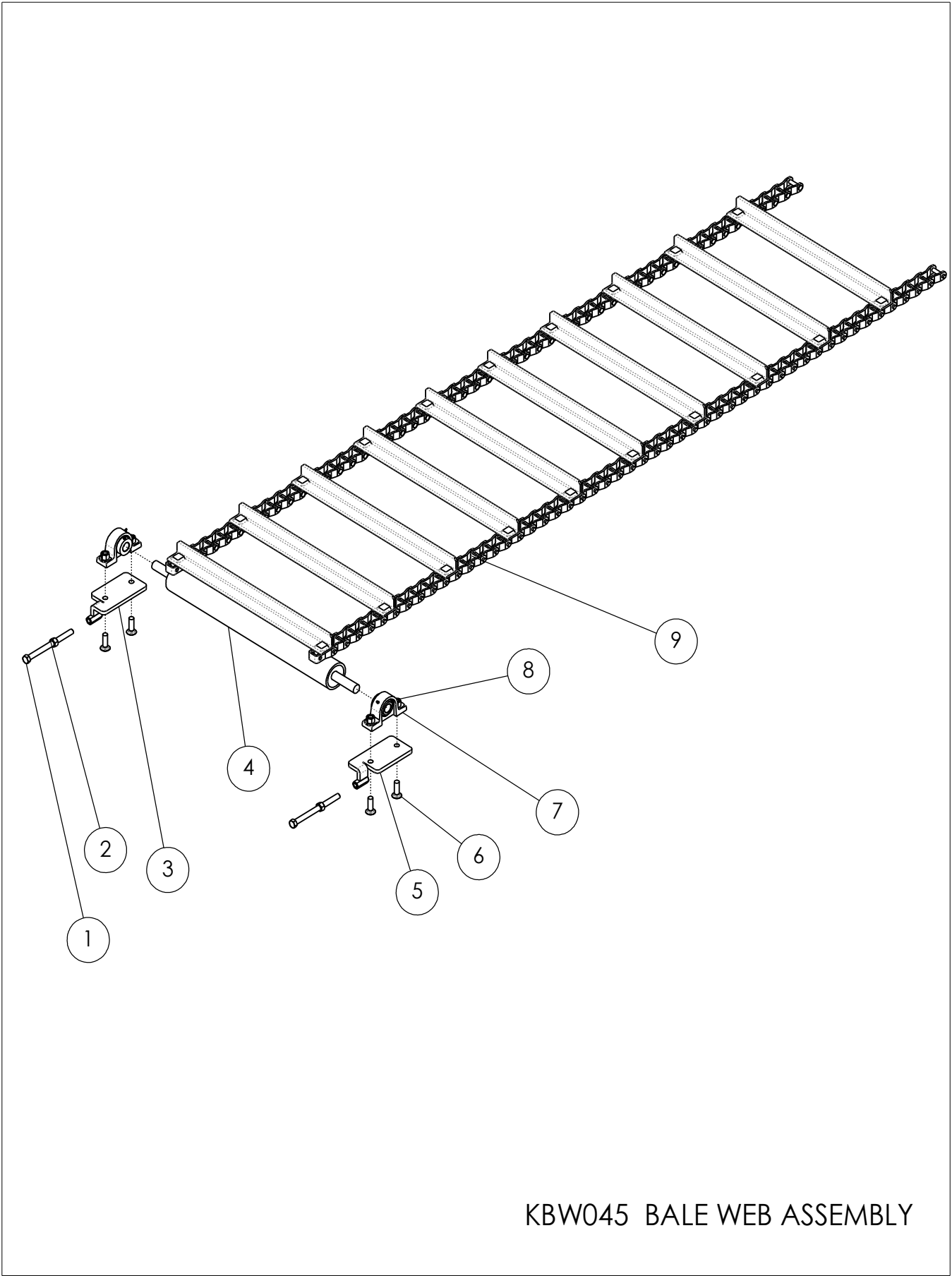
KBW096-RH-PRO 2
REAR WHEEL ASSEMBLY, RH DRIVE

ITEM NO.	PART NUMBER	DESCRIPTION	QTY.
1	CAP 2.6	GREASE CAP, 2.56" OD	1
2	LB 0.56-18	9/16-18 X 1-1/4 LUG BOLT	6
3	1-12 SLOT	HEX SLOTTED NUT	1
4	1 FW	FLAT WASHER, 1.062 X 2 X 0.134	1
5	LM48548-LM48510	TAPERED ROLLER BEARING SET, 1.375 ID X 2.563 OD	1
6	EM5000-6	6 BOLT HUB	1
7	LM 603049-LM 603011	TAPERED ROLLER BEARING SET, 1.781 ID X 3.063 OD	1
8	203063	GREASE SEAL, 2" ID X 3.066 OD	1
9	CP-188X2000	3/16" X 2" COTTER PIN	1
10	VS-1	VALVE STEM	1
11	KBW094	DRIVE WHEEL, 12" X 16.5"	1
12	KBW1075	DRIVE GEAR, PRO-2 ONLY	2
13	5/16-18 X 1-1/2 UNC	HEX BOLT, GRADE 5, PRO-2 ONLY	6
14	31 x 15.5-16.5	BAR TIRE	1
15	CL0108-098	LUBRIPLATE 3000, HI-TACK MOLYBDENUM GREASE	1
16	LOCTITE™ 242	MEDIUM-STRENGTH THREADLOCKER, PRO-2 ONLY	1



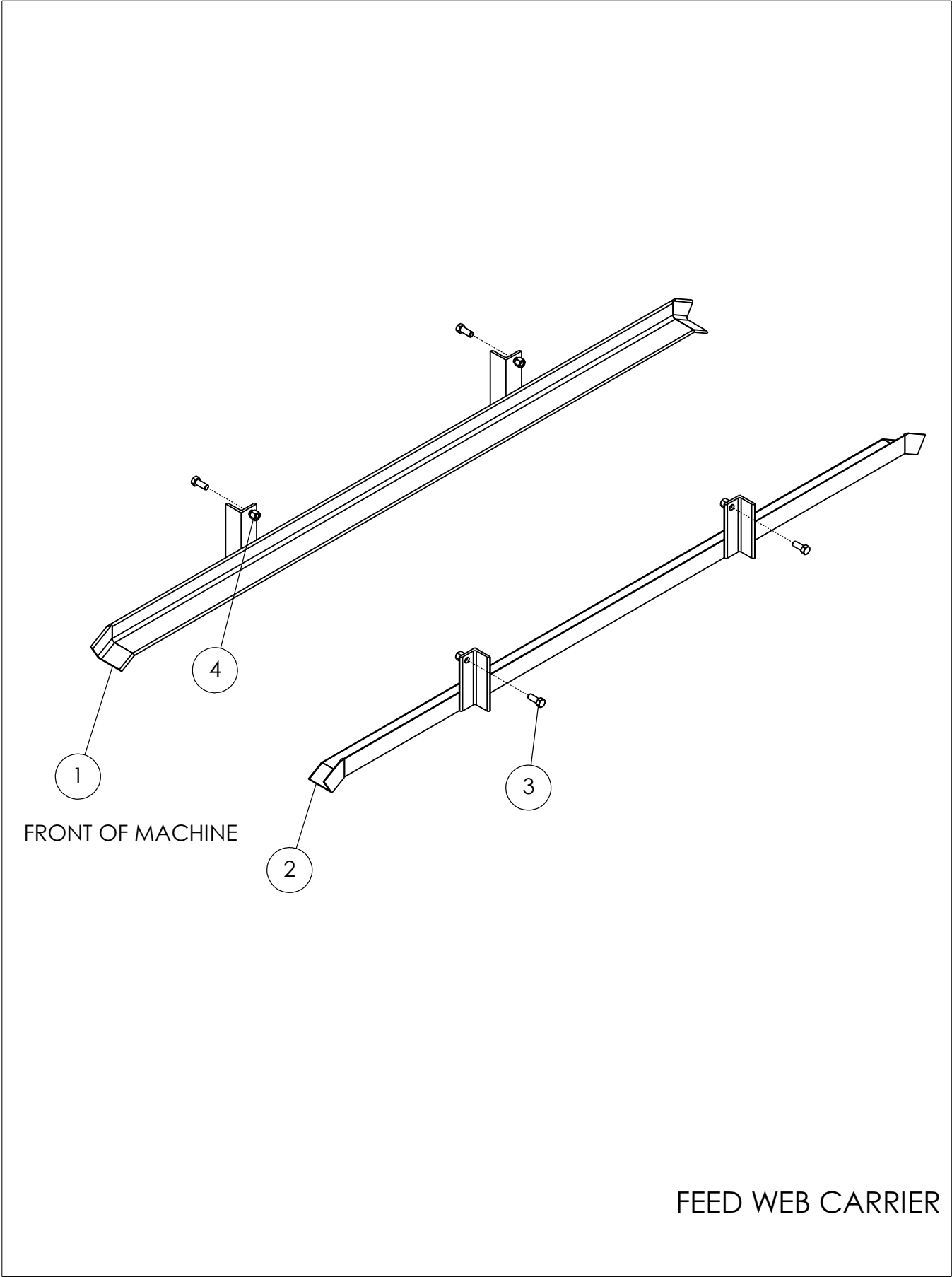
KBW037 BALE GUIDE ARM
-RH SHOWN

ITEM NO.	PART NUMBER	DESCRIPTION	QTY. EACH
1	81260	WORKLIGHT, LED	1
2	KBW035-RH	BALE GUIDE RAIL, RH	1
	KBW035-LH	BALE GUIDE RAIL, LH	1
3	1/2-13 X 1-1/4 UNC	HEX BOLT, GRADE 5	2
4	1/2-13 LN	LOCK NUT, NYLON INSERT	2
5	10-24 X 3/8	PAN HEAD SCREW	3
6	FKN010	10-24 KEPS NUT	3
7	KBW1032	TAB, ELECTRIC EYE	1
8	PB-10NS	PHOTOELECTRIC BEAM SENSOR	1
		QUANTITY IS PER WRAPPER	
9	AV09383	1/4" LOOM CLAMP	1
10	KBW1031	BRACKET, ELECTRIC EYE	1
11	591370	KNOB	1
12	KBW10031-13	RAIL, ELECTRIC EYE	1
13	5/8-11 LN	LOCK NUT, NYLON INSERT	2
14	5/8-11 X 3-1/4 UNC	HEX BOLT, GRADE 5	2
15	FBEP1024	BENT PIN	1
16	FBP6	SPRING CLIP	1

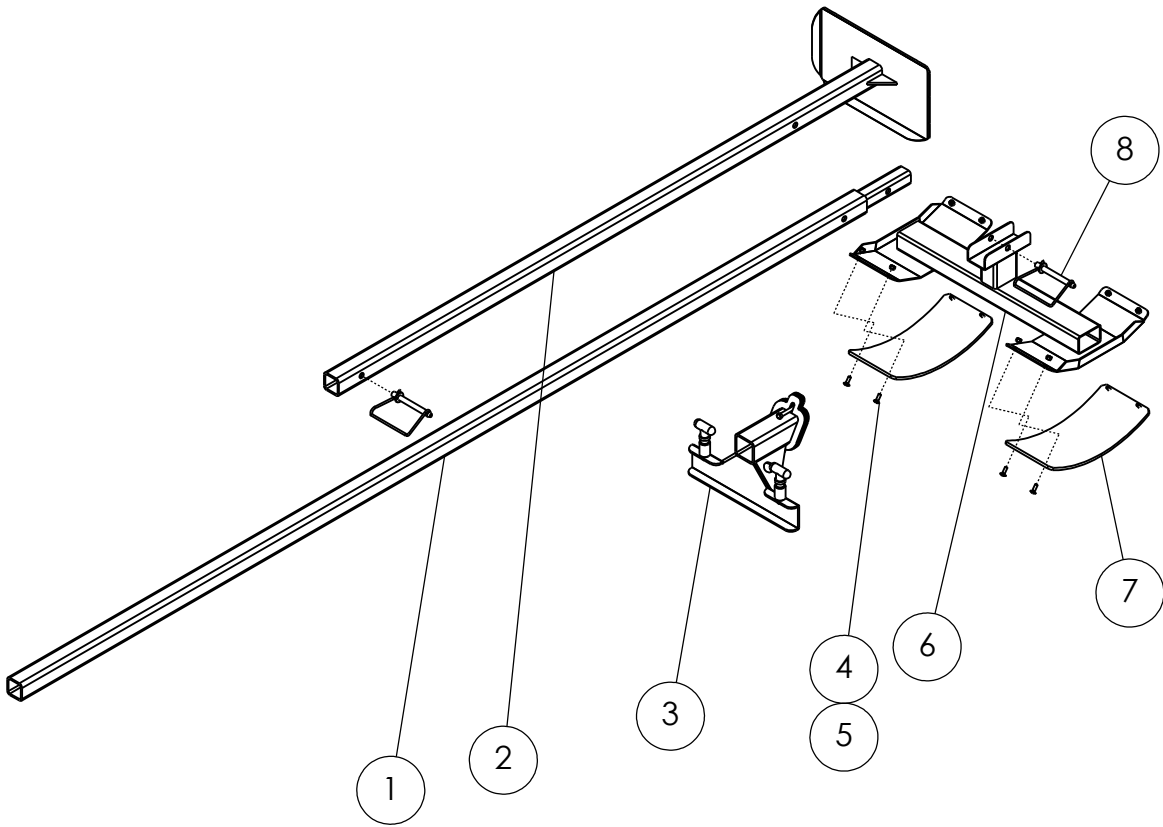


KBW045 BALE WEB ASSEMBLY

ITEM NO.	PART NUMBER	DESCRIPTION	QTY.
1	5/8-11 X 8 FULL	HEX BOLT, FULL-THREAD, GRADE 5	2
2	5/8-11 UNC	HEX NUT, GRADE 5	2
3	KBW034-RH	WEB TENSION PLATE	1
4	KBW05	WEB IDLER ROLLER	1
5	KBW034-LH	WEB TENSION PLATE	1
6	5/8-11 X 2-1/2 RHSN	CARRIAGE BOLT, GRADE 5	4
7	NAP 206-18	1-1/8" ID PILLOW BLOCK BEARING	2
8	5/8-11 LN	LOCK NUT, NYLON INSERT	4
9	KBW043	WEB CHAIN	1
	KBW10035	LINK, SLAT WELDMENT	21
	667XH	LINK, AG PINTLE CHAIN	170

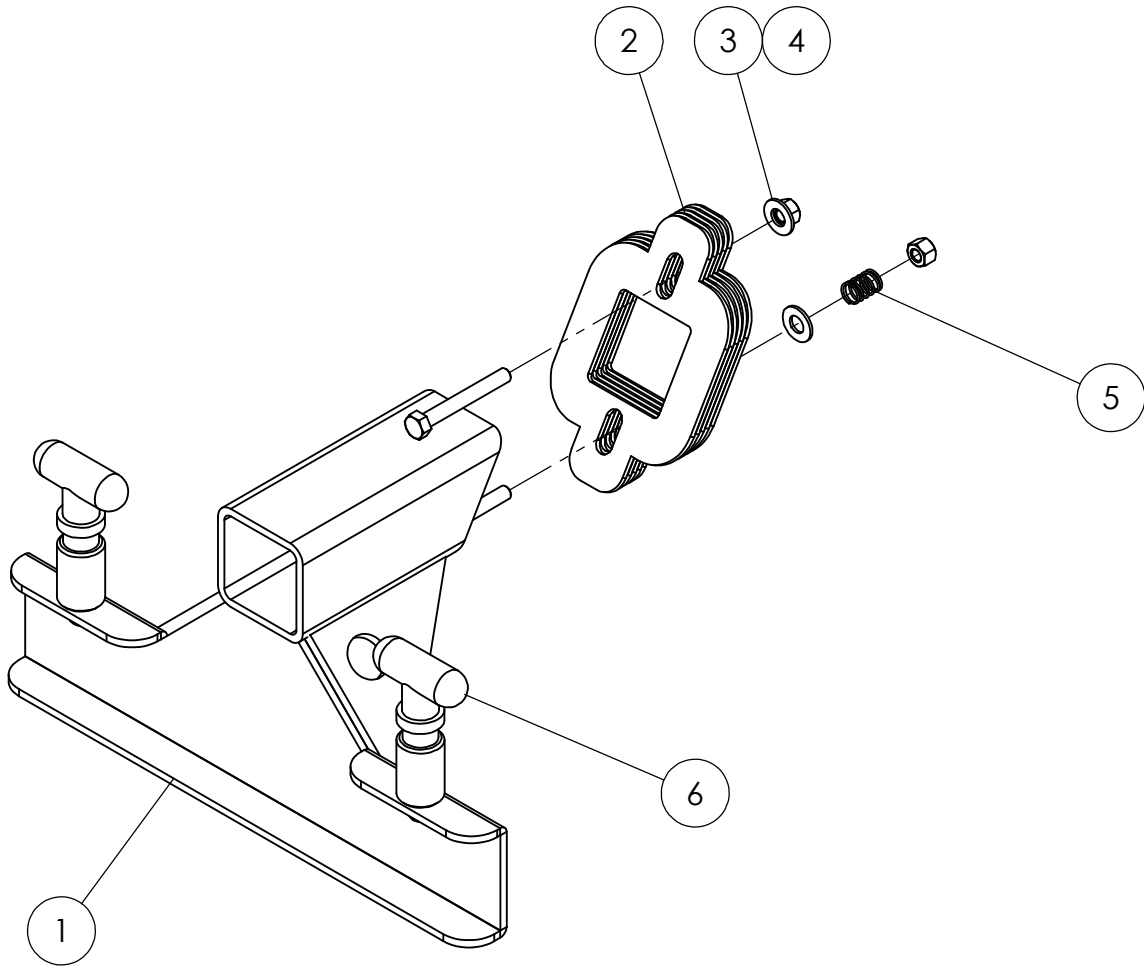


ITEM NO.	PART NUMBER	DESCRIPTION	QTY.
1	KBW063-R	WEB CARRIER RAIL, RH	1
2	KBW063-L	WEB CARRIER RAIL, LH	1
3	1/2-13 X 1-1/4 UNC	HEX BOLT, GRADE 5	4
4	1/2-13 LN	LOCK NUT, NYLON INSERT	4



KBW016 CLEAN OUT RAM

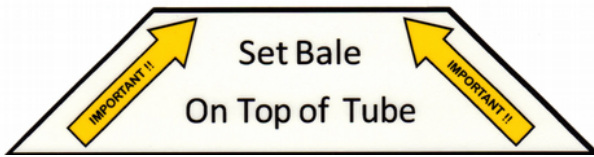
ITEM NO.	PART NUMBER	DESCRIPTION	QTY.
1	KBW10077	CLEAN OUT TUBE EXTENSION	1
2	KBW10020	CLEAN OUT TUBE	1
3	KBW020	PUSH RAM BASE - SEE PAGE #77	1
4	1/4 X 3/4 RHSN	CARRIAGE BOLT, GRADE 5	8
5	1/4-20 LN	LOCK NUT, NYLON INSERT	8
6	KBW021	CLEANOUT STANDOFF	1
7	KBW1257	SKID PAD	2
8	FLPU828	SAFETY PIN, 1/2 X 3-1/2	2



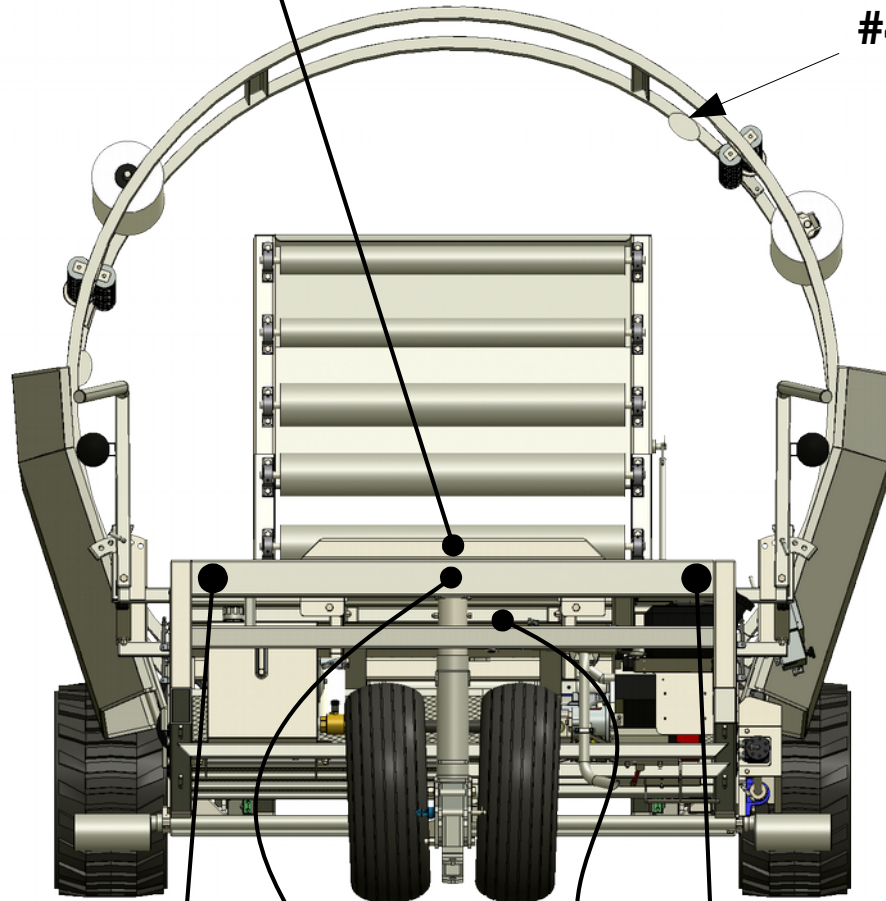
KBW020 CLEANOUT RAM BASE

ITEM NO.	PART NUMBER	DESCRIPTION	QTY.
1	KBW1012	HOOKUP, CLEAN OUT CHAIN	1
2	KBW1015	CLAMP, CLEAN OUT TUBE	5
3	3/8 FW	FLAT WASHER	2
4	5/16-18 LN	LOCK NUT, NYLON INSERT	2
5	06812028	COMPRESSION SPRING	1
6	09300088	QUICK RELEASE PIN	2

#5



#4



#1

WARNING
THIS MACHINE
STOPS AND STARTS
AUTOMATICALLY.
KEEP HANDS, FEET
AND CLOTHS AWAY
AT ALL TIMES. BE SURE
POWER IS TURNED OFF
BEFORE ADJUSTING OR
SERVICING AND KEEP
ALL SHIELDS IN PLACE
AT ALL TIMES.

#1

WARNING
THIS MACHINE
STOPS AND STARTS
AUTOMATICALLY.
KEEP HANDS, FEET
AND CLOTHS AWAY
AT ALL TIMES. BE SURE
POWER IS TURNED OFF
BEFORE ADJUSTING OR
SERVICING AND KEEP
ALL SHIELDS IN PLACE
AT ALL TIMES.

#2

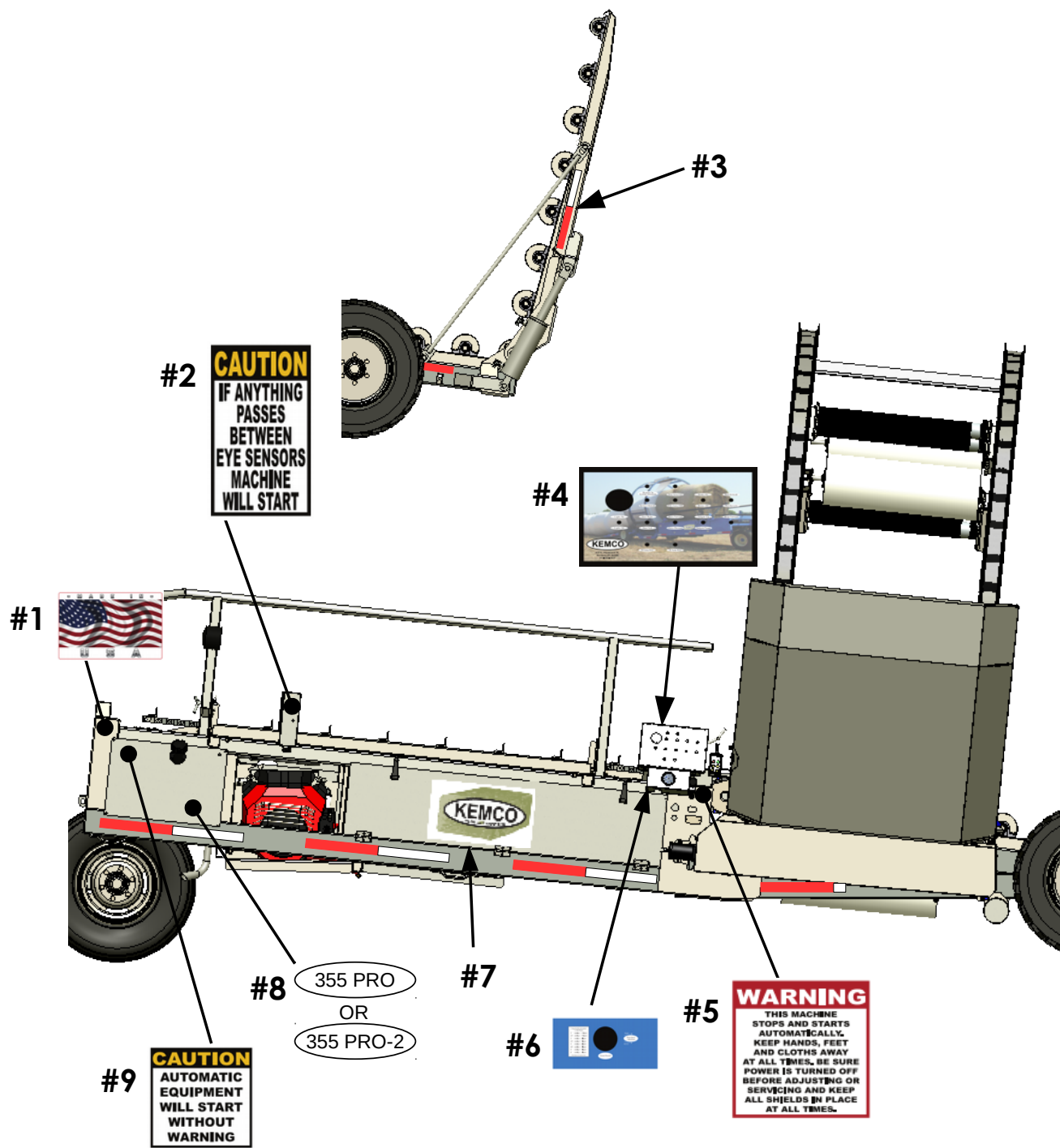
WARNING
CONVEYOR
STARTS
AUTOMATICALLY

#3

Attention !
Disconnect Drive
Motor Before
Towing

KEMCO MODEL 355
DECALS, MACHINE FRONT

ITEM NO.	PART NUMBER	DESCRIPTION	QTY.
1	20009-001	WARNING – KEEP AWAY KEEP SHIELDS IN PLACE	2
2	20007-001	WARNING – CONVEYOR STARTS AUTOMATICALLY	1
3	22233-001	ATTENTION - DISCONNECT DRIVE MOTOR	1
4	20211-001	WRAP FILM FEEDING DIAGRAM	3
5	21921-01	SET BALE ON TOP OF TUBE	1



#2 CAUTION
 IF ANYTHING
 PASSES
 BETWEEN
 EYE SENSORS
 MACHINE
 WILL START



#5 WARNING
 THIS MACHINE
 STOPS AND STARTS
 AUTOMATICALLY.
 KEEP HANDS, FEET
 AND CLOTHS AWAY
 AT ALL TIMES. BE SURE
 POWER IS TURNED OFF
 BEFORE ADJUSTING OR
 SERVICING AND KEEP
 ALL SHIELDS IN PLACE
 AT ALL TIMES.

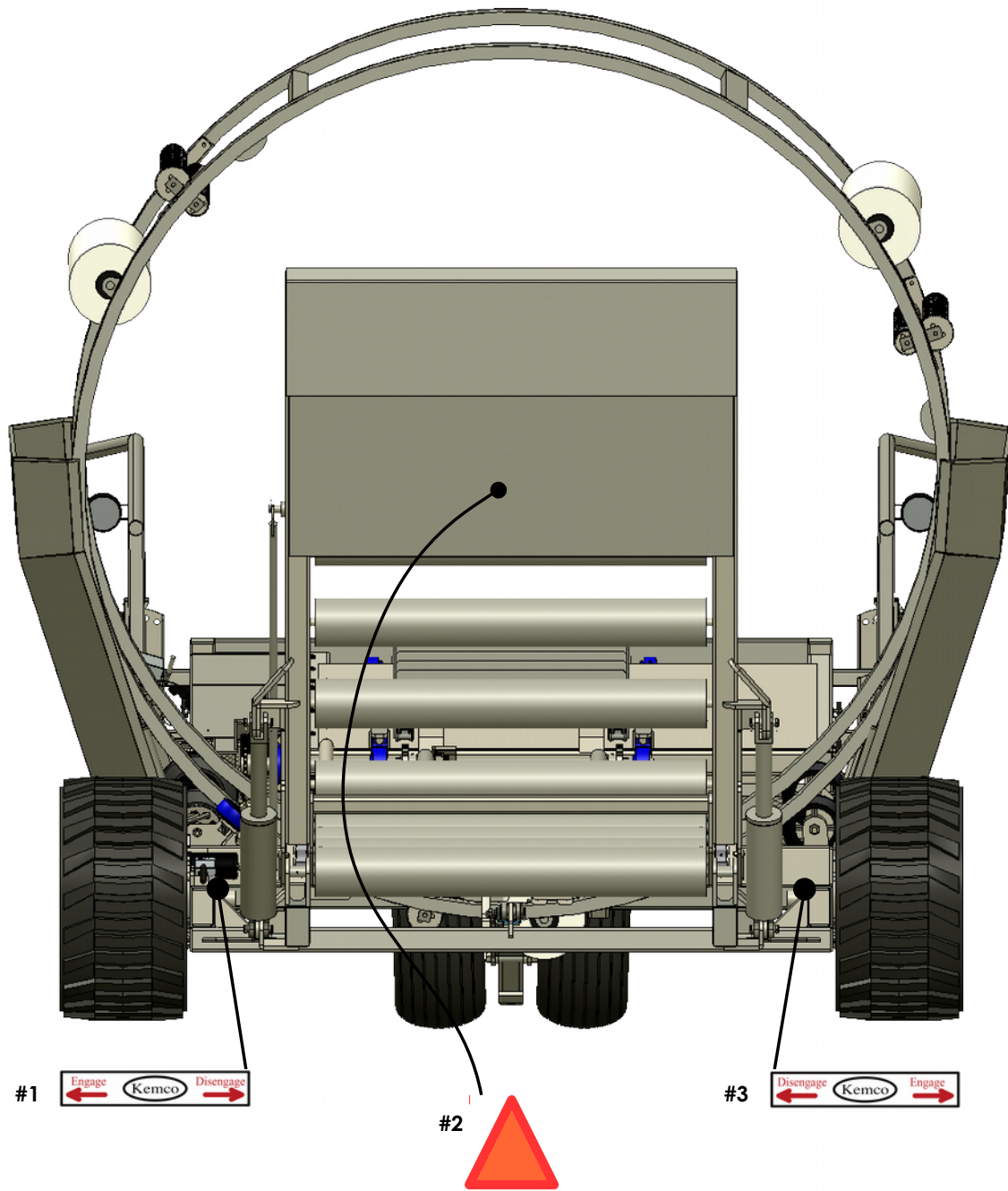
#8 355 PRO
 OR
 355 PRO-2



#9 CAUTION
 AUTOMATIC
 EQUIPMENT
 WILL START
 WITHOUT
 WARNING

KEMCO MODEL 355
 DECALS, MACHINE SIDES

ITEM NO.	PART NUMBER	DESCRIPTION	QTY.
1	20015-001	MADE IN USA	2
2	20006-001	CAUTION – EYE SENSORS	2
3		DOT REFLECTOR TAPE	12
4	20012-001	CONTROL BOX LABEL	1
5	20009-001	WARNING – KEEP AWAY KEEP SHIELDS IN PLACE	6
6	20023-001	TENSION VALVE LABEL	1
7	20018-001	LOGO ON SQUARE BALE	2
8	22192-001	MODEL NAME (355 PRO)	2
	22189-001	MODEL NAME (355 PRO-2)	2
9	20005-001	CAUTION – AUTOMATIC EQUIPMENT	2



KEMCO MODEL 355
DECALS, MACHINE REAR

ITEM NO.	PART NUMBER	DESCRIPTION	QTY
1	20022-001	DRIVE HANDLE ENGAGE	1
2	SM V1	SLOW-MOVING VEHICLE EMBLEM	1
3	20024-001	DUAL DRIVE HANDLE ENGAGE (355 PRO-2)	1

Printed in U.S.A.
Version 02/2017