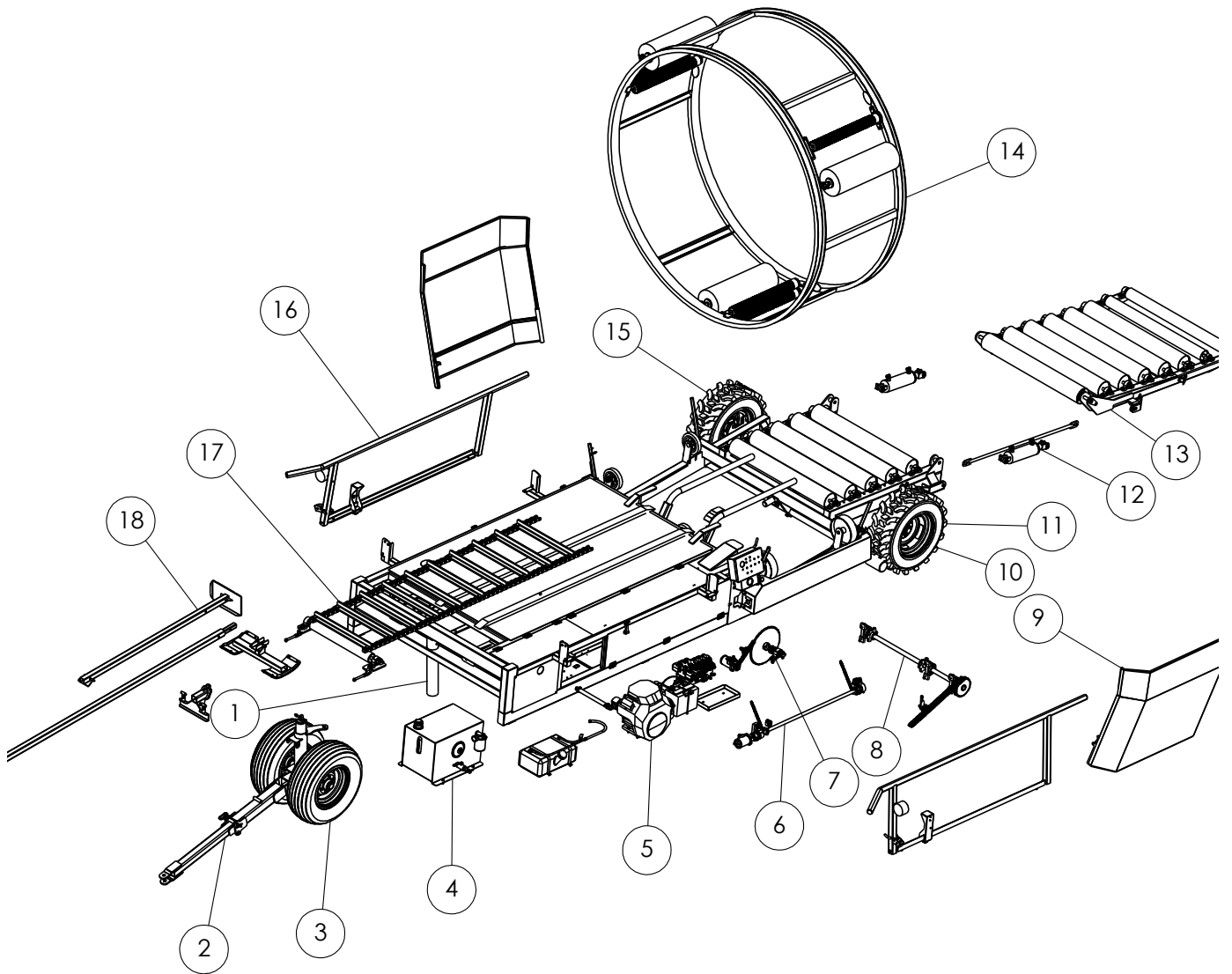


Kemco
Model 260 Bale Wrapper

Parts Manual



MODEL 260 BALE WRAPPER

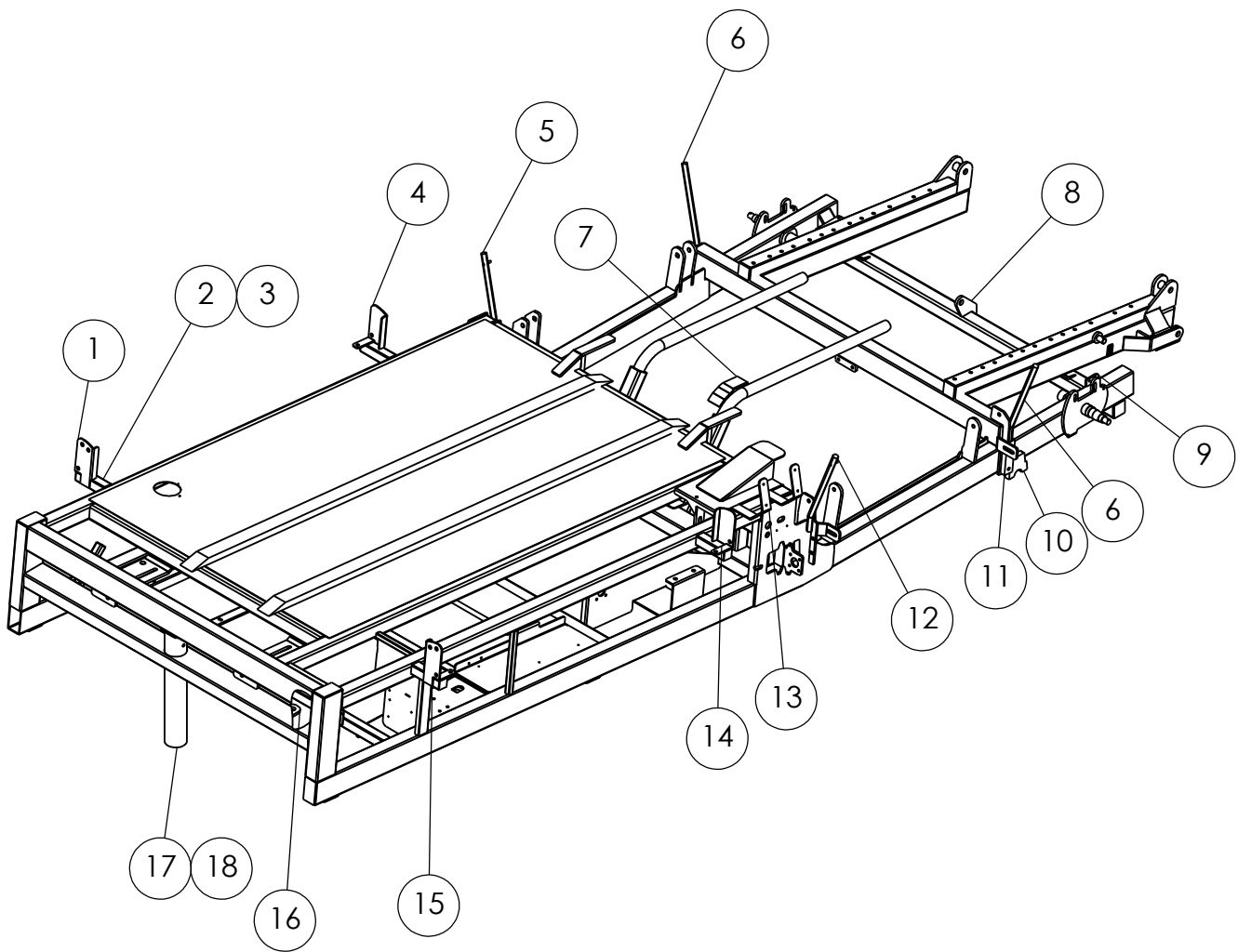
Kemco Manufacturing, LLC

617 E. Plymouth Street

Bremen IN 46506

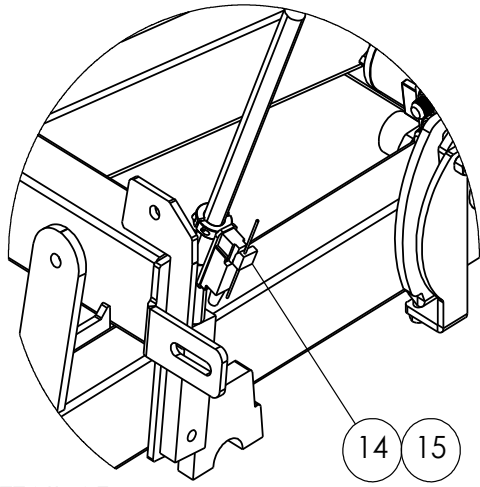
Table of Contents

	Page #
1 Frame Assemblies	3
2 Tongue Assembly	7
3 Front Wheels	9
4 Hydraulic & Gas Tanks	13
5 Engine Package & Hydraulic Controls	17
6 Hoop Drive Shaft	31
7 Jackshaft	33
8 Web Drive Shaft	35
9 Shields	37
10 Drive Assembly	41
11 Left Rear Wheel & Brake	47
12 Cylinders (In frame assembly)	5
13 Ramp & Tailgate	51
14 Hoop	55
15 Right Rear Wheel	63
16 Bale Guides	67
17 Web Chain	69
18 Push-off Ram	73
19 Decals	77

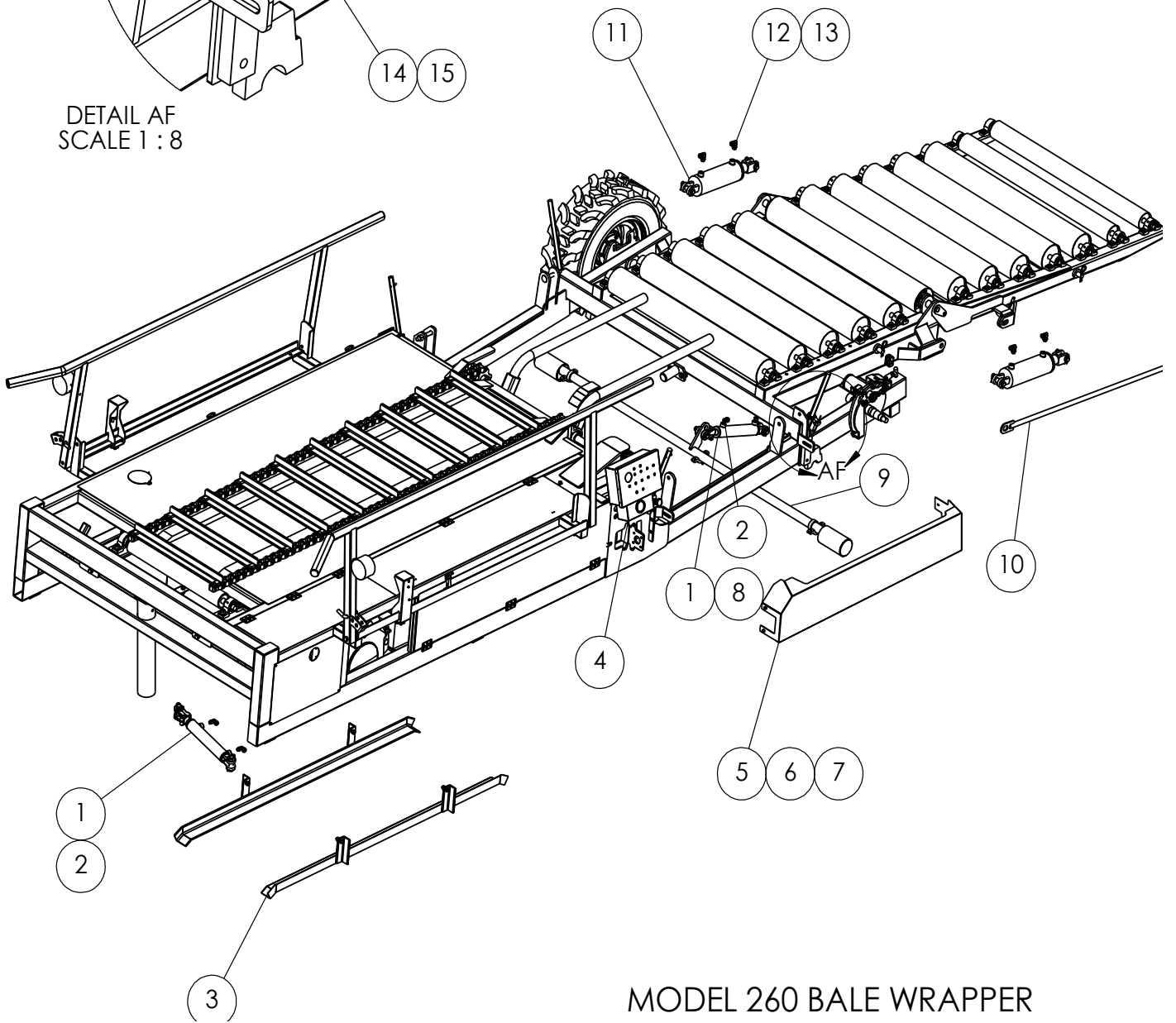


KBW MODEL 260
CHASSIS WELD PARTS

ITEM NO.	PART NUMBER	DESCRIPTION	QTY.
1	KBW 1230-RH	BALE GUIDE ADJUSTMENT BRACKET	1
2	KBW 10025	SUPPORT TUBES	4
3	KBW 10074	END CAP	4
4	KBW 1231-RH	BALE GUIDE ARM BRACKET	1
5	KBW 1259-RH	HOOP SHIELD LATCH ROD, RH	1
6	KBW 1296	HOOP SHIELD MOUNT, REAR	2
7	KBW 1095	FILM SENSOR SWITCH GUARD	1
8	KBW 1140	BRAKE RAM STA. MOUNT	1
9	KBW 1125	LATCH PLATE TAB	1 (2 ON PRO-2)
10	KBW 1226	BRAKE MOUNT	2
11	KBW 1216-A	MOUNT, BEARING	1
12	KBW 1259-LH	HOOP SHIELD LATCH ROD, LH	1
13	KBW 1096	MOUNT, CONTROL BOX	2
14	KBW 1231-LH	BALE GUIDE ARM BRACKET	1
15	KBW 1230-LH	BALE GUIDE ADJUSTMENT BRACKET	1
16	KBW 1038	BRACKET, STEERING RAM	1
17	KBW 1194	TUBE, DOLLIE WHEEL FRAME	1
18	KBW 1056	CAP, FRONT SPINDLE TOP	1

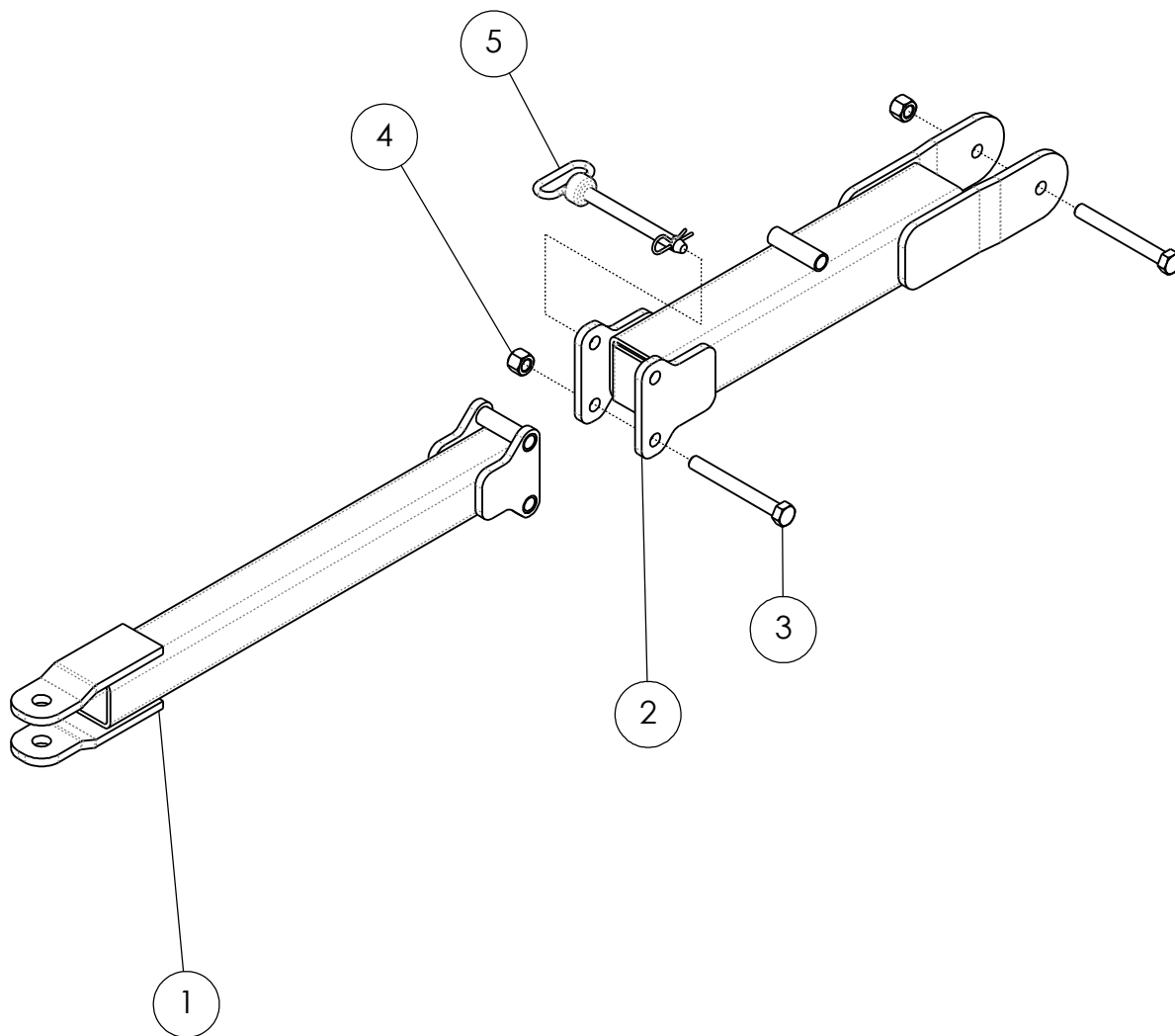


DETAIL AF
SCALE 1 : 8



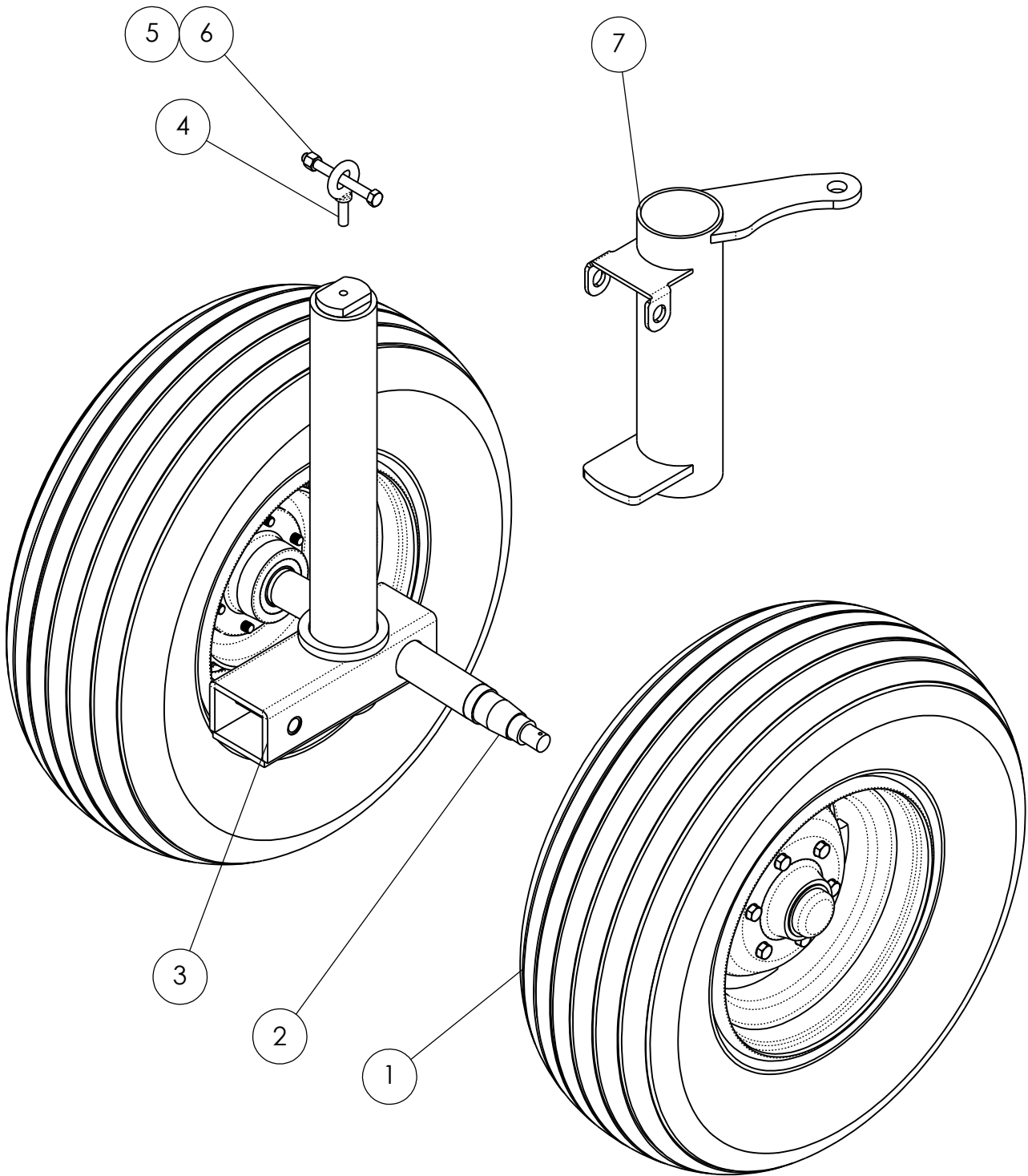
MODEL 260 BALE WRAPPER

ITEM NO.	PART NUMBER	DESCRIPTION	QTY.
1	DBH-2008-A	2" ROD X 8" STROKE HYDRAULIC CYLINDER	2
2	Y-6901-F-NWO-6-6	ADAPTER, 90°, 9/16" M O-RING - 3/8" FPT SWIVEL	3
3	FEED WEB CARRIER	SEE PAGE #71	1
4	KBW062	CONTROL CONSOLE - SEE PAGE #25	1
5	KBW1289	CHAIN GUARD	1
6	5/16-18 X 3/4 UNC	HEX BOLT, GRADE 5	3
7	5/16 LW	SPRING LOCK WASHER	3
8	Y-6900-O-6-6	ADAPTER, 9/16" M O-RING - 3/8" FPT SWIVEL	1
9	KBW06R2013	BRAKE ASSEMBLY - SEE PAGE #49	1
10	KBW1154 TAILGATE LATCH	WELDED ROD ASSEMBLY	1
11	4X24_CYL	HYDRAULIC CYLINDER	2
12	Y-6901-F-NWO-8-6	ADAPTER, 90°, 3/4" M O-RING - 3/8" FPT SWIVEL	4
13	4000-906	SEAL, O-RING BOSS	4
14	RCM-402	MINI LIMIT SWITCH	1
15	KBW1097-A	PLATE, DOOR AJAR SWITCH	1
16	KBW1082	SERIAL TAB (NOT SHOWN)	1



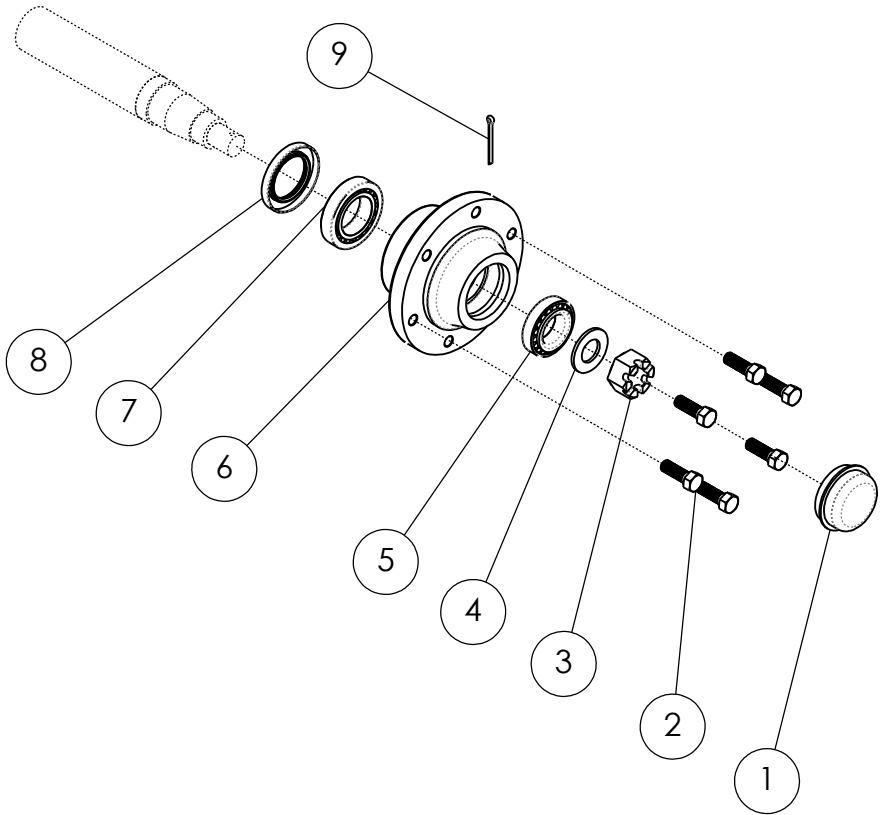
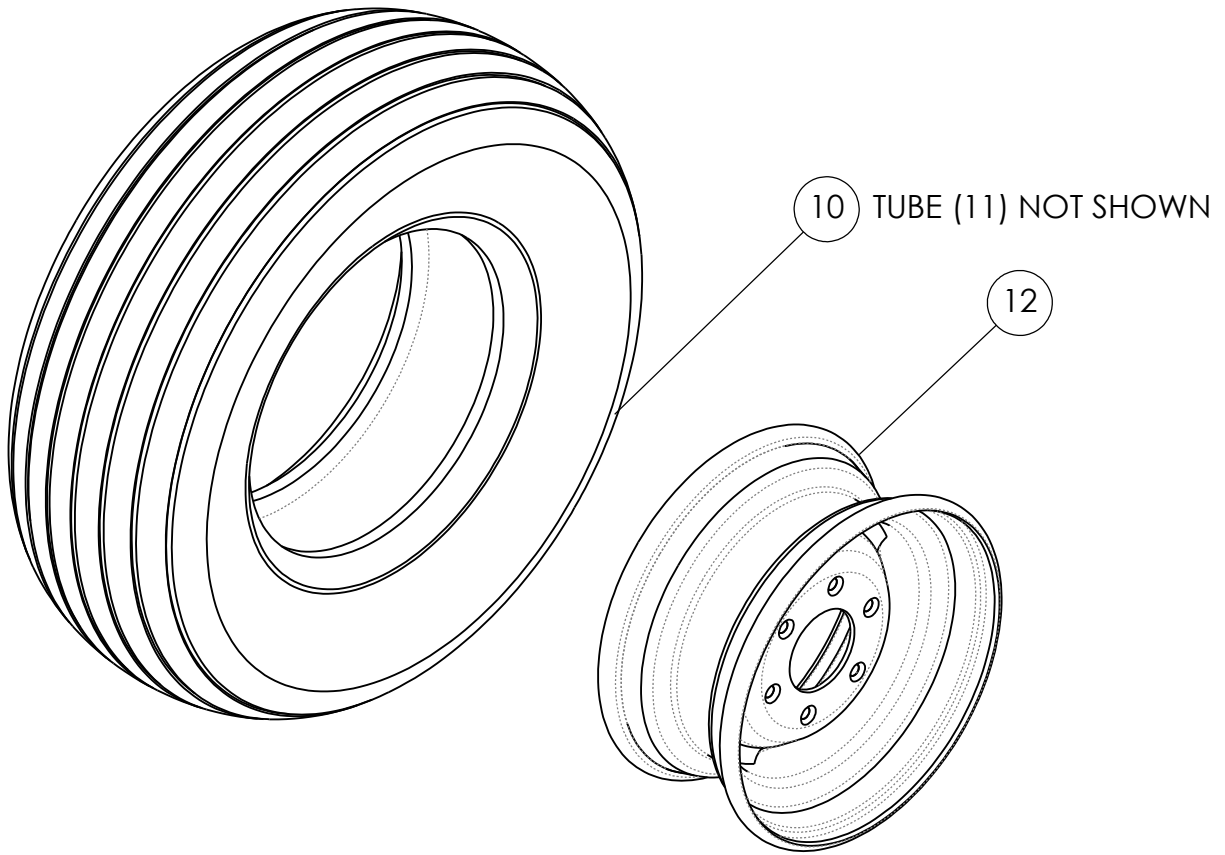
KBW03 TONGUE

ITEM NO.	PART NUMBER	DESCRIPTION	QTY.
1	KBW02	TONGUE FRONT HALF	1
2	KBW01	TONGUE REAR HALF	1
3	3/4 X 6-1/2 UNC	HEX BOLT, GRADE 5	2
4	3/4-10 LN	NYLON LOCK NUT	2
5	90022	PIN, 3/4"	1



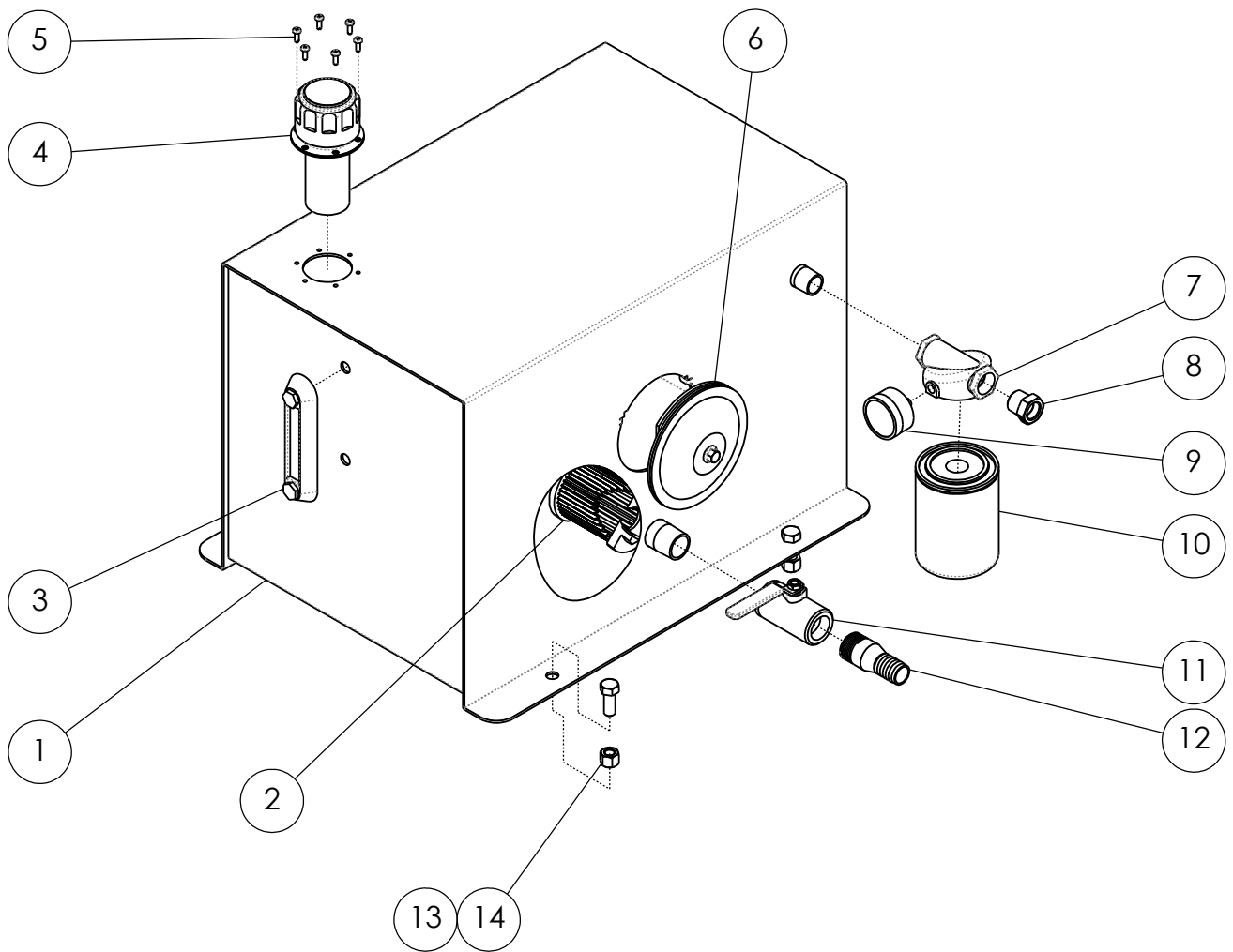
KBW07 STEER DOLLIE ASSEMBLY

ITEM NO.	PART NUMBER	DESCRIPTION	QTY.
1	KBW023	ASSEMBLY, STEER WHEEL AND HUB	2
2	EM5000S	2" X 12" SPINDLE	2
3	KBW071	STEER DOLLIE COMPLETE W/SPINDLES	1
4	MSC73154874	EYEBOLT	1
5	1/2 X 5 UNC	HEX BOLT, GRADE 5	1
6	1/2-13 LN	LOCK NUT, NYLON INSERT	1
7	KBWA07	STEERING TUBE	1



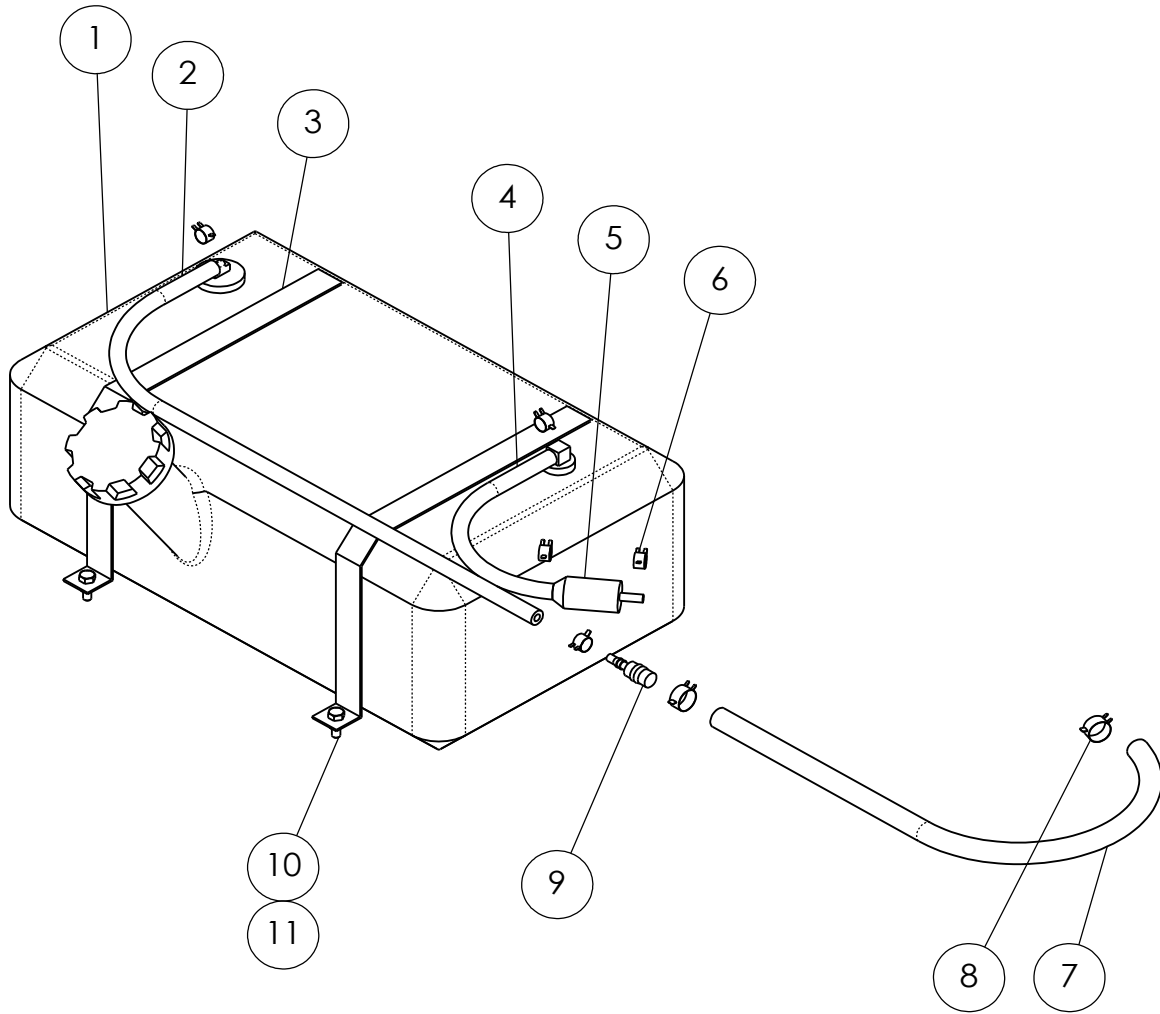
KBW023 WHEEL AND HUB ASSEMBLY

ITEM NO.	PART NUMBER	DESCRIPTION	QTY.
1	CAP 2.6	GREASE CAP, 2.56" OD	1
2	LB 0.5-20	1/2-20 X 1-1/4 LUG BOLT	6
3	1-12 SLOT	HEX SLOTTED NUT	1
4	1 FW	FLAT WASHER, 1.062 X 2 X 0.134	1
5	LM48548-LM48510	TAPERED ROLLER BEARING SET, 1.375 ID X 2.563 OD	1
6	EM5000-6	6 BOLT HUB	1
7	LM603049-LM603011	TAPERED ROLLER BEARING SET, 1.781 ID X 3.063 OD	1
8	203063	GREASE SEAL, 2" ID X 3.066 OD	1
9	CP-188X2000	3/16 X 2 COTTER PIN	1
10	FC1D6	11L-15SL TIRE	1
11	TU552208	15" TUBE	1
12	6 x 15	AG WHEEL 15 X 6 X 6	1
13	CL0108-098	LUBRIPLATE 3000, HI-TACK MOLYBDENUM GREASE	1



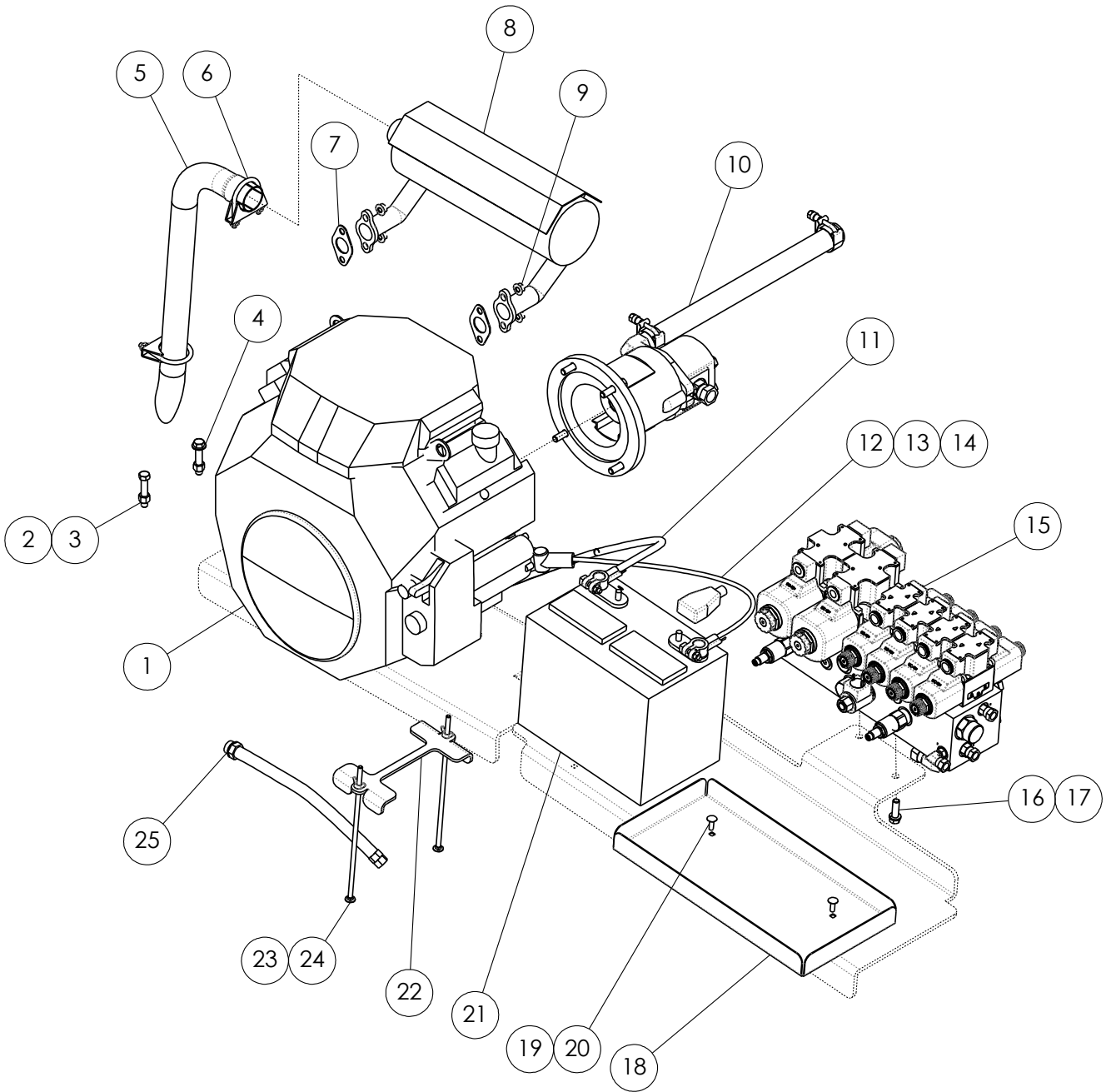
KBW040 HYDRAULIC SUPPLY

ITEM NO.	PART NUMBER	DESCRIPTION	QTY.
1	KBW1118	HYDRAULIC TANK	1
2	SS.100.00	SUCTION STRAINER	1
3	SG-05	SIGHT GLASS	1
4	FB10-04-1-00-0	FILL CAP STRAINER	1
5	10-32 X 3/8 CHST	PHILLIPS SCREW , SELF-TAPPING	6
6	FRC-06-UP-BN	ACCESS COVER ASSEMBLY	1
7	ZAF07-25-1+3	FILTER HEAD	1
8	Y-5406-12-8	STRAIGHT BUSHING, 3/4" MPT - 1/2" FPT	1
9	CI-20	FILTER GAUGE	1
10	AE-10	HYDRAULIC FILTER, 10 MICRON	1
11	KTC-100	BALL VALVE, 1" NPT	1
12	HCN-100	HOSE BARB	1
13	1/2-13 X 1-1/4 UNC	HEX BOLT, GRADE 5	4
14	1/2-13 LN	NYLON LOCK NUT	4



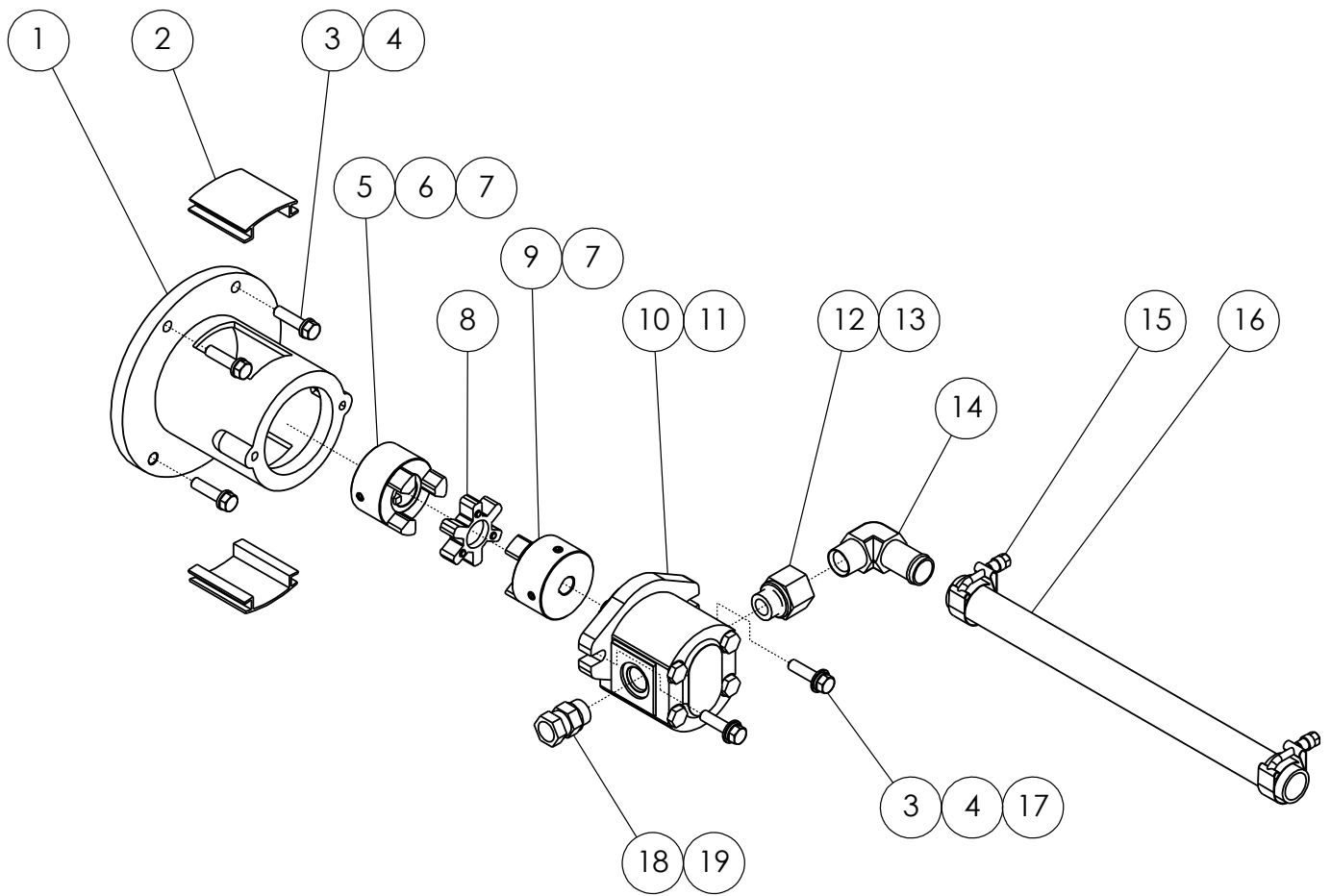
KBW049 FUEL SUPPLY

ITEM NO.	PART NUMBER	DESCRIPTION	QTY.
1	EPA-FLM-BA1 071286AE	FUEL TANK FUEL TANK ASSEMBLY INCLUDES ITEMS EXCEPT #s 5,10, 11	1
2	CUT FROM 468851A	FUEL LINE HOSE, 1/4"	1
3	468998A	MOUNTING STRAP	2
4	CUT FROM 468851A	FUEL LINE HOSE, 1/4"	1
5	FF1	IN-LINE FUEL FILTER	1
6	468850A	SPRING HOSE CLAMP	5
7	468894A	FUEL LINE HOSE, 7/16"	1
8	468898A	SPRING HOSE CLAMP	2
9	462125A	HOSE BARB ADAPTER	1
10	1/4-20 X 3/4 UNC	HEX BOLT, GRADE 5	4
11	1/4-20 LN	LOCK NUT, NYLON INSERT	4



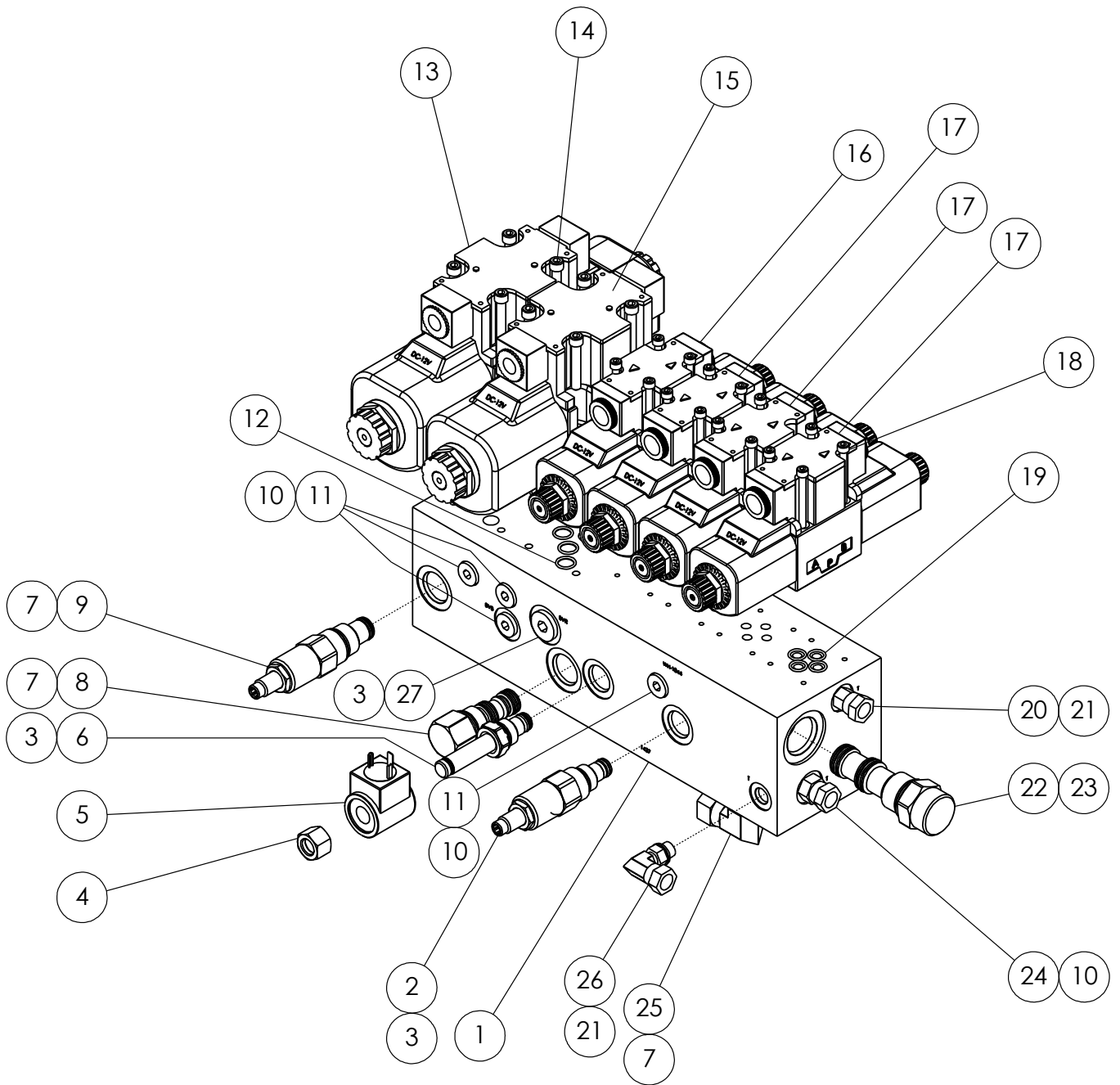
KBW057 POWER PACKAGE

ITEM NO.	PART NUMBER	DESCRIPTION	QTY.
1	GX630	GASOLINE ENGINE, 20HP, HONDA	1
2	3/8-16 X 2 UNC	HEX BOLT, GRADE 5	4
3	3/8-16 LN	LOCK NUT, NYLON INSERT	4
4	3/8 FW	FLAT WASHER	2
5	KBW 1306	EXHAUST EXTENSION	1
6	7335324	EXHAUST TUBE CLAMP	2
7	EXGSK1	EXHAUST MANIFOLD GASKET	2
8	MUF0492	MUFFLER	1
9	M8 X 1.25	HEX FLANGE NUT	4
10	KBW069	HYDRAULIC PUMP COMPONENTS - SEE PAGE #19	1
11	781103	BATTERY CABLE, NEGATIVE, CLAMP TYPE	1
12	781131	BATTERY CABLE, POSITIVE, CLAMP TYPE	1
13	73127813	BATTERY TERMINAL COVER	1
14	73127995	SOLENOID TERMINAL COVER	1
15	KBW060	HYDRAULIC CONTROL MANIFOLD - SEE PAGE #21	1
16	3/8-16 X 1-1/4 UNC	HEX BOLT, GRADE 5	2
17	3/8 LW	SPRING LOCK WASHER	2
18	KBW 1115	TOOLBOX CRADLE	1
19	1/4-20 LN	LOCK NUT, NYLON INSERT	2
20	CB 1/4-20 X 3/4	CARRIAGE BOLT, GRADE 5	2
21	8240	12 VOLT BATTERY	1
22	KBW 1024	CLAMP, BATTERY	1
23	FWN04	WING NUT, SS, 1/4-20	2
24	FC20480	BATTERY BOLT	2
25	HON1420	OIL DRAIN	1



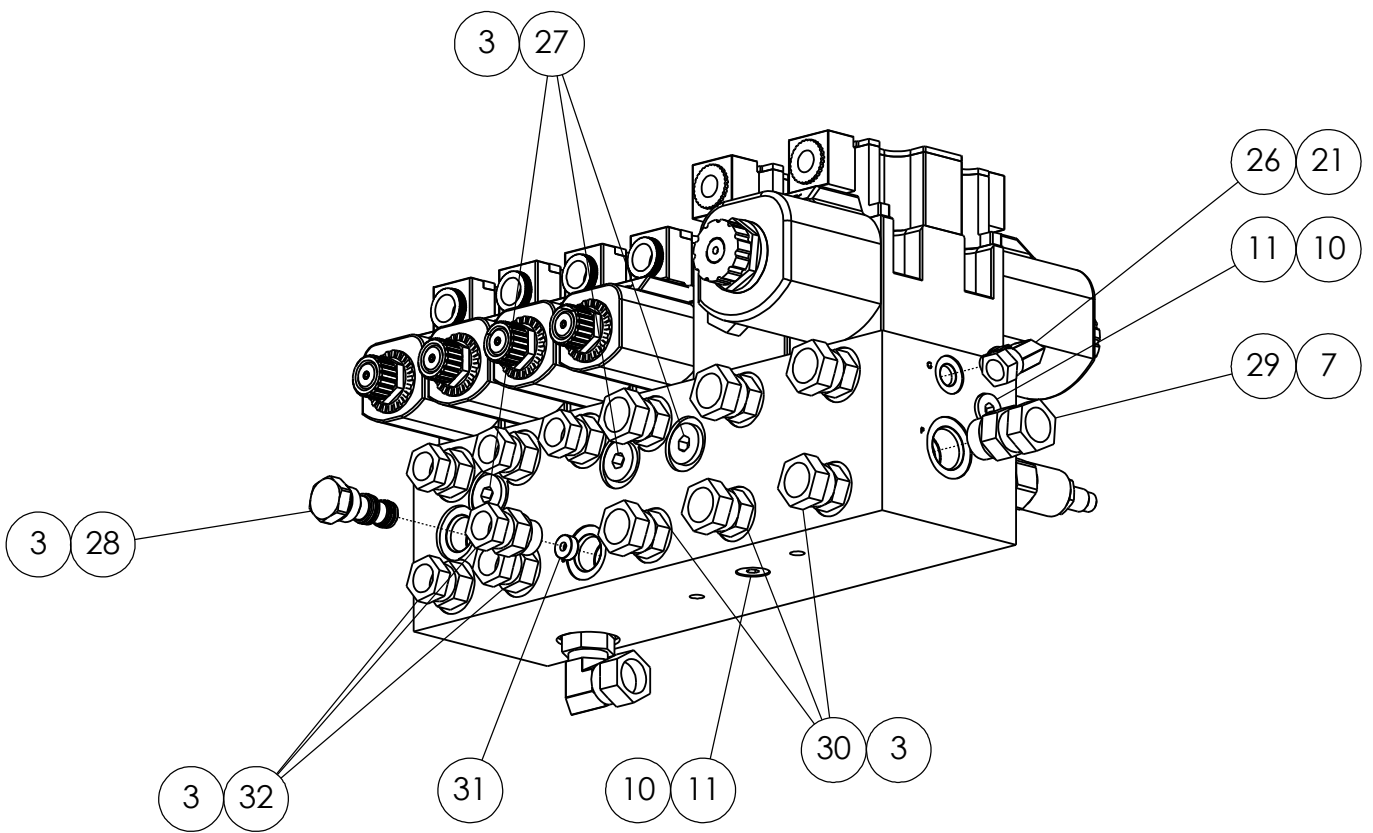
KBW069 HYDRAULIC PUMP COMPONENTS

ITEM NO.	PART NUMBER	DESCRIPTION	QTY.
1	G300-402-5.125	PUMP MOUNT	1
2	AC300	MOUNT COVER	2
3	3/8-16 X 1-1/2 UNC	HEX BOLT, GRADE 5	6
4	3/8 LW	SPRING LOCK WASHER	6
5	L100-N-1KW	COUPLING HUB, 1" ID	1
6	K 1/4 X 1-1/2	SQUARE KEY	1
7	5/16-18 X 3/8 SS	SET SCREW	4
8	L100N	COUPLING SPIDER	1
9	L100-N-5_8KW	COUPLING HUB, 5/8" ID	1
10	2GG1U08R	HYDRAULIC GEAR PUMP	1
11	5/32 X 3/4 WK	WOODRUFF KEY, FULL RADIUS	1
12	Y-6405-O-12-12	ADAPTER, 3/4" FPT - 1-1/16" M O-RING	1
13	4000-912	SEAL, O-RING BOSS	1
14	Y-4501	BEADED HOSE ADAPTER, 1" TUBE - 3/4" MPT	1
15	HC100	T-BOLT HOSE CLAMP, Ø1-1/2" NOMINAL	2
16	S1	SUCTION HOSE	1
17	3/8 FW	FLAT WASHER	2
18	Y-6900-O-10-8	ADAPTER, 7/8" M O-RING - 1/2" FPT SWIVEL	1
19	4000-910	SEAL, O-RING BOSS	1



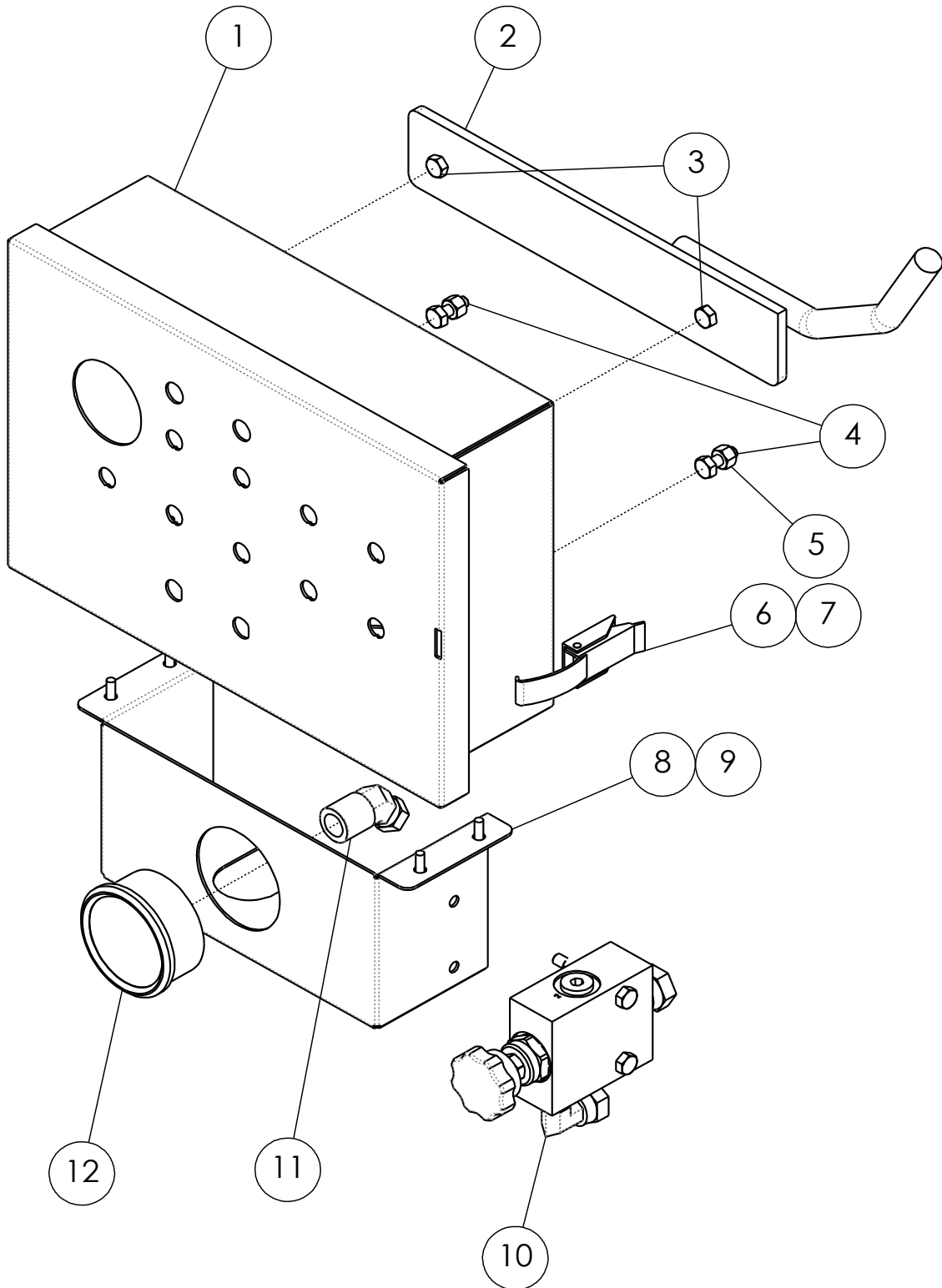
KBW060 HYDRAULIC CONTROL MANIFOLD - VALVES

ITEM NO.	PART NUMBER	DESCRIPTION	QTY.
1	WH-1044	MANIFOLD BLOCK	1
2	RV08-20A	RELIEF VALVE	1
3	4000-908	SEAL, O-RING BOSS	19
4	7004410	COIL NUT	1
5	6306012	COIL, 12V DC	1
6	SV08-21	SOLENOID VALVE	1
7	4000-910	SEAL, O-RING BOSS	4
8	EP10-S35	DUMP VALVE	1
9	RV10-26A-0-N-30	RELIEF VALVE	1
10	4000-906	SEAL, O-RING BOSS	7
11	Y-6408-HHP-O-6	PLUG	6
12	500	O-RING	10
13	HD-3C3-G03-LW-7-DC12	D05 SOLENOID VALVE	1
14	1/4-20 X 1-1/2 SHCS	SOCKET HEAD CAP SCREW	8
15	HD-2B3B-G03-LW-7-DC12	D05 SOLENOID VALVE	1
16	HD-3C3-G02-LW-F-12VDC	D03 SOLENOID VALVE	1
17	HD-3C6-G02-LW-F-12VDC	D03 SOLENOID VALVE	3
18	10-24 X 1-3/4 SHCS	SOCKET HEAD CAP SCREW	16
19	O-03750500	O-RING	16
20	Y-6900-O-4-4	ADAPTER, 7/16" M O-RING - 1/4" FPT SWIVEL	1
21	4000-904	SEAL, O-RING BOSS	3
22	FR12-30F	FLOW CONTROL VALVE, 2.0 GPM	1
23	4000-912	SEAL, O-RING BOSS	1
24	Y-6900-O-6-4	STRAIGHT ADAPTER	1
25	Y-6901-F-NWO-10-8	ADAPTER, 90°, 7/8" M O-RING - 1/2" FPT SWIVEL	1
26	Y-6901-F-NWO-4-4	ADAPTER, 90°, 7/16" M O-RING - 1/4" FPT SWIVEL	2
27	Y-6408-HHP-O-8	PLUG	4
28	PC08-30	CHECK VALVE	1
29	Y-6900-O-10-8	ADAPTER, 7/8" M O-RING - 1/2" FPT SWIVEL - SEE PAGE #23	*
30	Y-6900-O-8-8	ADAPTER, 3/4" M O-RING - 1/2" FPT SWIVEL - SEE PAGE #23	*
31	ORIFICE 764	SEE PAGE #23	*
32	Y-6900-O-8-6	ADAPTER, 3/4" M O-RING - 3/8" FPT SWIVEL - SEE PAGE #23	*



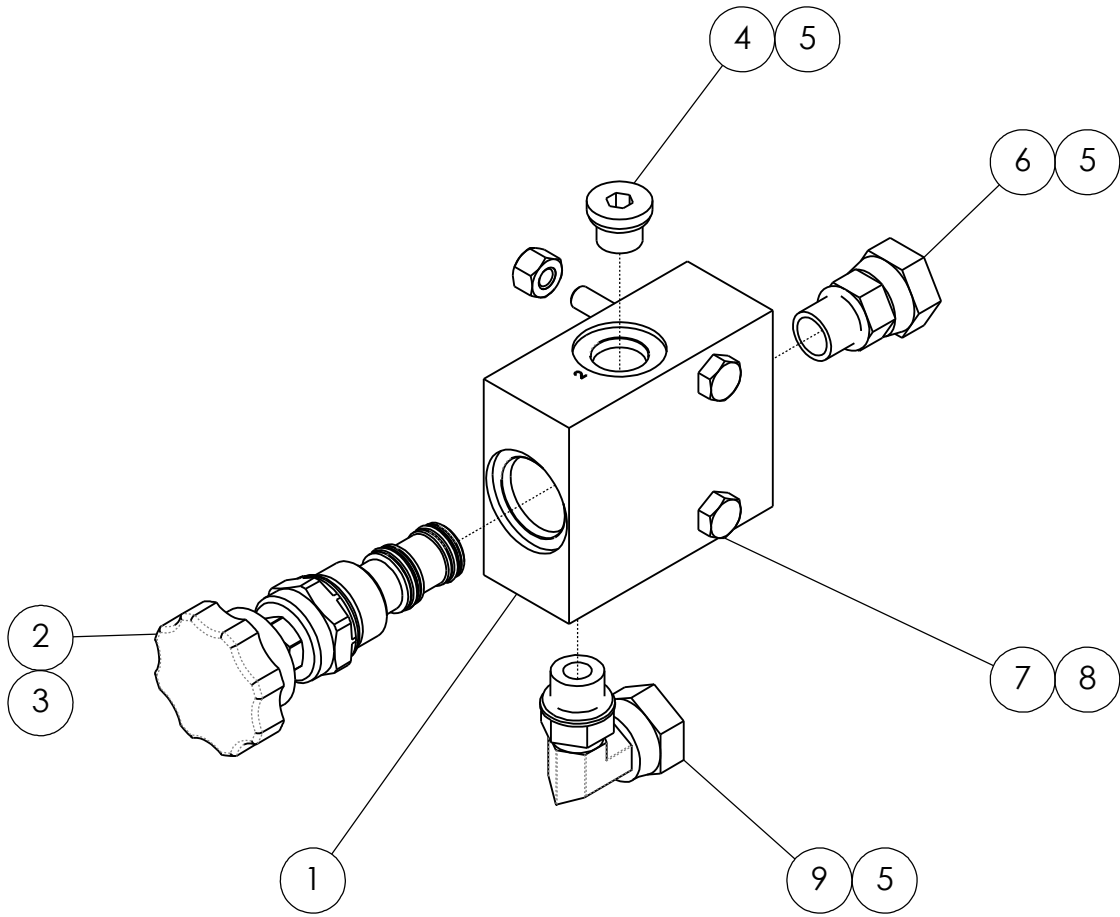
KBW060 HYDRAULIC CONTROL MANIFOLD - REAR

ITEM NO.	PART NUMBER	DESCRIPTION	QTY.
1	WH-1044	MANIFOLD BLOCK - SEE PAGE #21	*
2	RV08-20A	RELIEF VALVE - SEE PAGE #21	*
3	4000-908	SEAL, O-RING BOSS - SEE PAGE #21	*
4	7004410	COIL NUT - SEE PAGE #21	*
5	6306012	COIL, 12V DC - SEE PAGE #21	*
6	SV08-21	SOLENOID VALVE - SEE PAGE #21	*
7	4000-910	SEAL, O-RING BOSS - SEE PAGE #21	*
8	EP10-S35	DUMP VALVE - SEE PAGE #21	*
9	RV10-26A-0-N-30	RELIEF VALVE - SEE PAGE #21	*
10	4000-906	SEAL, O-RING BOSS - SEE PAGE #21	*
11	Y-6408-HHP-O-6	PLUG - SEE PAGE #21	*
12	500	O-RING - SEE PAGE #21	*
13	HD-3C3-G03-LW-7-DC12	D05 SOLENOID VALVE - SEE PAGE #21	*
14	1/4-20 X 1-1/2 SHCS	SOCKET HEAD CAP SCREW - SEE PAGE #21	*
15	HD-2B3B-G03-LW-7-DC12	D05 SOLENOID VALVE - SEE PAGE #21	*
16	HD-3C3-G02-LW-F-12VDC	D03 SOLENOID VALVE - SEE PAGE #21	*
17	HD-3C6-G02-LW-F-12VDC	D03 SOLENOID VALVE - SEE PAGE #21	*
18	10-24 X 1-3/4 SHCS	SOCKET HEAD CAP SCREW - SEE PAGE #21	*
19	O-03750500	O-RING - SEE PAGE #21	*
20	Y-6900-O-4-4	ADAPTER, 7/16" M O-RING - 1/4" FPT SWIVEL - SEE PAGE #21	*
21	4000-904	SEAL, O-RING BOSS - SEE PAGE #21	*
22	FR12-30F	FLOW CONTROL VALVE, 2.0 GPM - SEE PAGE #21	*
23	4000-912	SEAL, O-RING BOSS - SEE PAGE #21	*
24	Y-6900-O-6-4	STRAIGHT ADAPTER - SEE PAGE #21	*
25	Y-6901-F-NW O-10-8	ADAPTER, 90°, 7/8" M O-RING - 1/2" FPT SWIVEL - SEE PAGE #21	*
26	Y-6901-F-NW O-4-4	ADAPTER, 90°, 7/16" M O-RING - 1/4" FPT SWIVEL - SEE PAGE #21	*
27	Y-6408-HHP-O-8	PLUG - SEE PAGE #21	*
28	PC08-30	CHECK VALVE - SEE PAGE #21	*
29	Y-6900-O-10-8	ADAPTER, 7/8" M O-RING - 1/2" FPT SWIVEL	1
30	Y-6900-O-8-8	ADAPTER, 3/4" M O-RING - 1/2" FPT SWIVEL	6
31	ORIFICE 764		1
32	Y-6900-O-8-6	ADAPTER, 3/4" M O-RING - 3/8" FPT SWIVEL	6



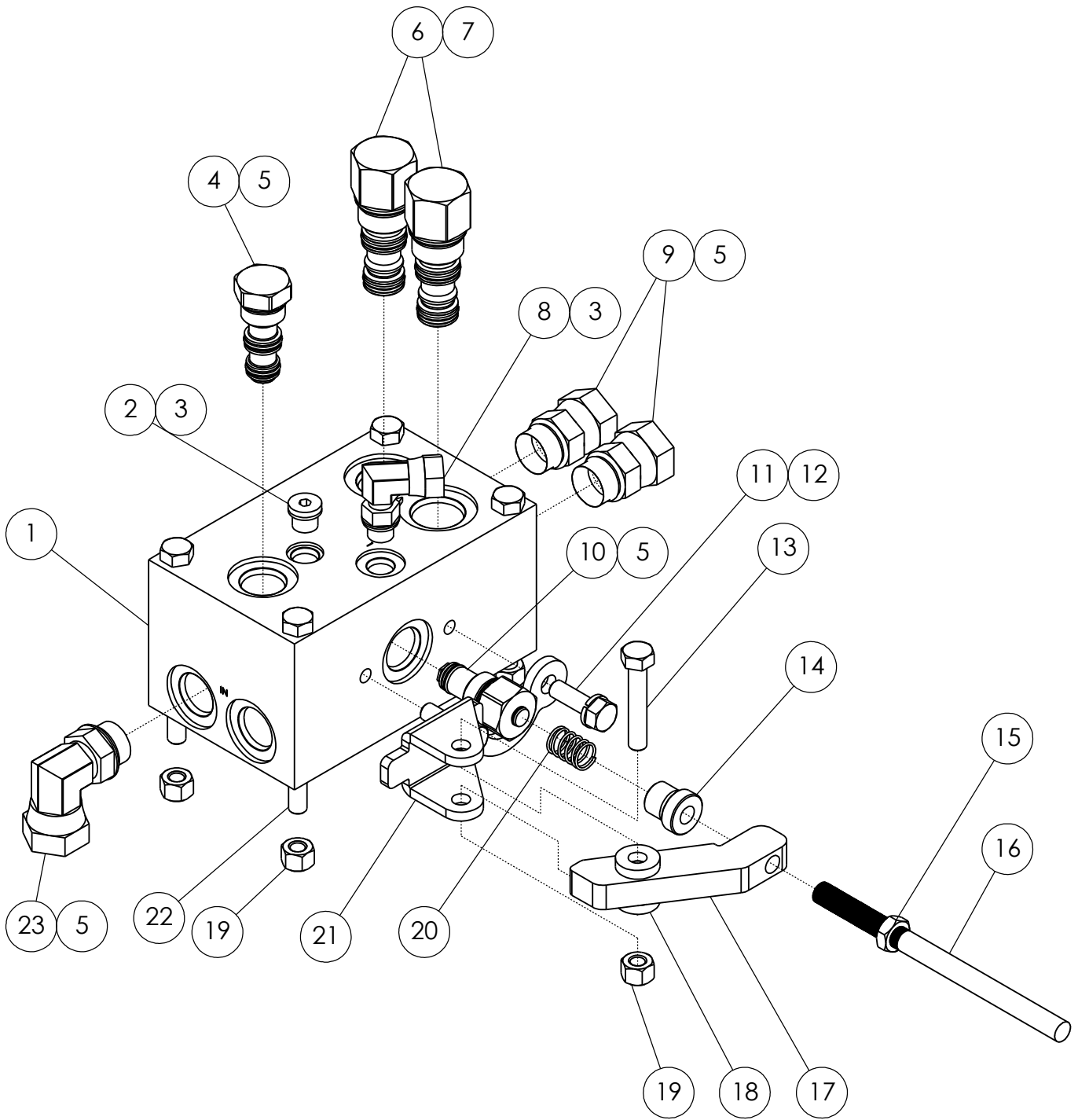
KBW062 CONTROL CONSOLE

ITEM NO.	PART NUMBER	DESCRIPTION	QTY.
1	KBW047	SWITCHBOX	1
2	KBW1267	WRAP STARTER HOOK	1
3	1/4-20 X 1 UNC	HEX BOLT, GRADE 5	2
4	1/4-20 X 3/4 UNC	HEX BOLT, GRADE 5	2
5	1/4-20 LN	LOCK NUT, NYLON INSERT	4
6	215-1102N	DRAW LATCH	1
7	R 18X18	POP RIVET, 1/8 X 1/8 (NOT SHOWN)	2
8	KBW1403-B	GAUGE BOX	1
9	R 316X12	POP RIVET, 3/16 X 1/2	4
10	KBW058	HOOP SPEED CONTROL VALVE - SEE PAGE #27	1
11	Y-1504-F-4-4	ADAPTER, 45°, 1/4" FPT - 1/4" FPT SWIVEL	1
12	CI-20	PRESSURE GAUGE	1



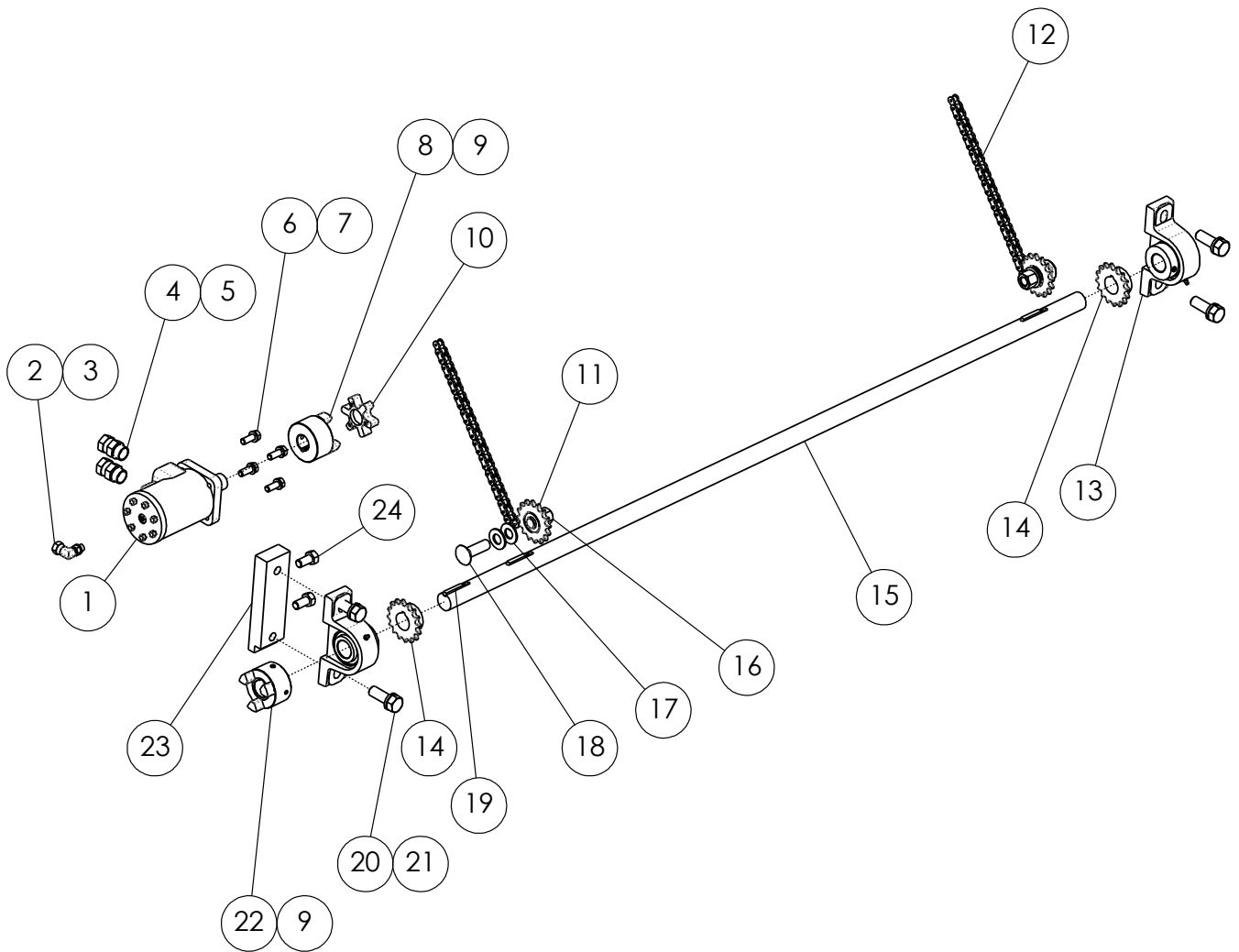
KBW058 HOOP SPEED CONTROL VALVE

ITEM NO.	PART NUMBER	DESCRIPTION	QTY.
1	WH1026	VALVE BLOCK	1
2	FR10-39E-0-N	FLOW CONTROL VALVE, VARIABLE	1
3	4000-910	SEAL, O-RING BOSS	1
4	Y-6408-HHP-O-6	PLUG	1
5	4000-906	SEAL, O-RING BOSS	3
6	Y-6900-O-6-6	ADAPTER, 9/16" M O-RING - 3/8" FPT SWIVEL	1
7	1/4-20 X 2 UNC	HEX BOLT, GRADE 5	2
8	1/4-20 LN	LOCK NUT, NYLON INSERT	2
9	Y-6901-F-NWO-6-6	ADAPTER, 90°, 9/16" M O-RING - 3/8" FPT SWIVEL	1



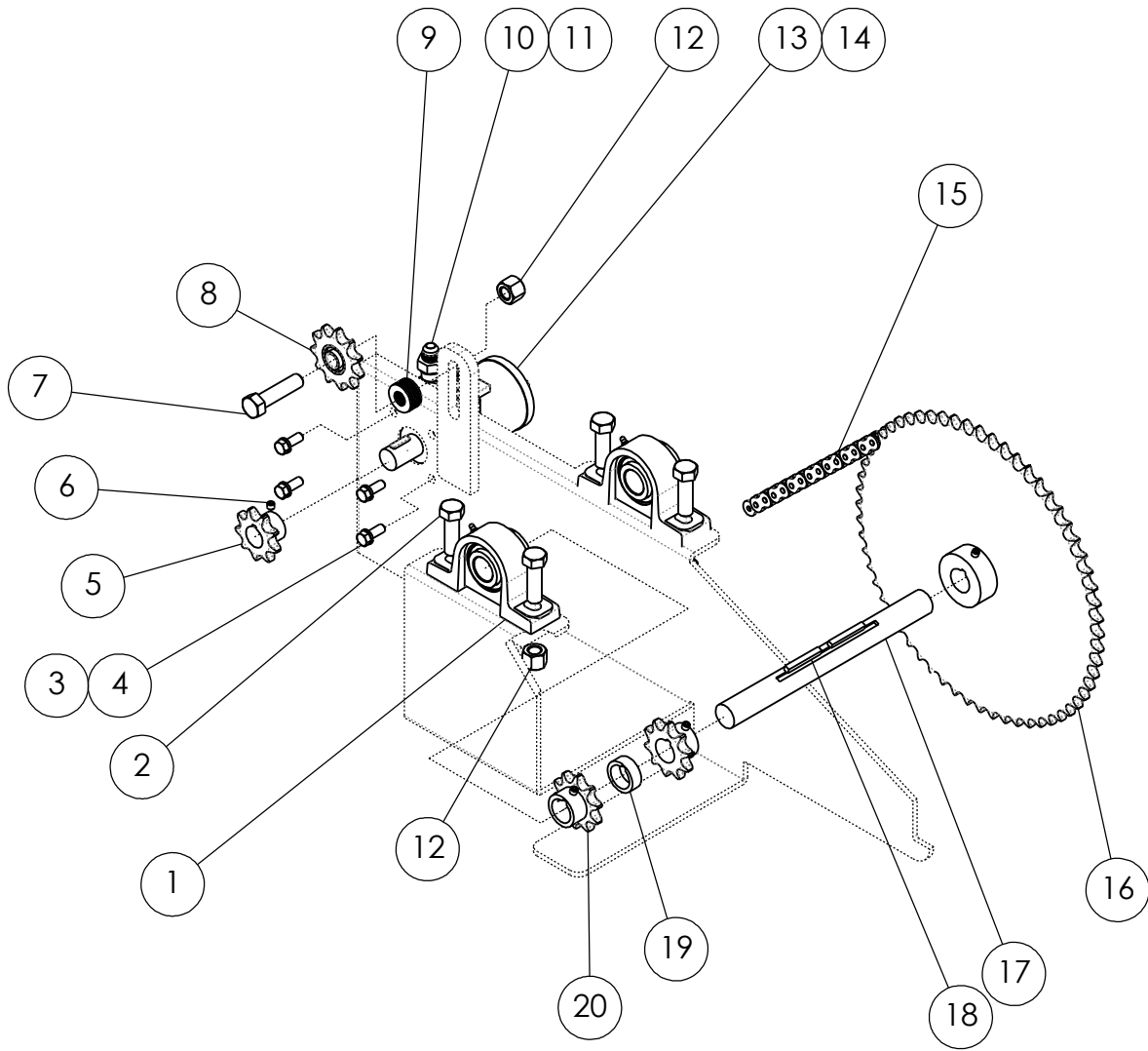
KBW064 DUAL DRIVE VALVE
PRO-2 ONLY

ITEM NO.	PART NUMBER	DESCRIPTION	QTY.
1	WH-1036	VALVE BLOCK	1
2	Y-6408-HHP-O-4	PLUG	1
3	4000-904	SEAL, O-RING BOSS	2
4	LS08-30	FLOW DIVIDER VALVE	1
5	4000-908	SEAL, O-RING BOSS	5
6	EP10-S38	DUMP VALVE	2
7	4000-910	SEAL, O-RING BOSS	2
8	Y-6901-F-NWO-4-4	ADAPTER, 90°, 7/16" M O-RING - 1/4" FPT SWIVEL	1
9	Y-6900-O-8-8	ADAPTER, 3/4" M O-RING - 1/2" FPT SWIVEL	2
10	MV08-22	POPPET VALVE	1
11	5/16-18 X 1 UNC	HEX BOLT, GRADE 5	2
12	5/16 LW	SPRING LOCK WASHER	2
13	5/16-18 X 1-3/4 UNC	HEX BOLT, GRADE 5	1
14	KBW 1287	PRO-2 VALVE BUTTON	1
15	3/8-24 JAM	HEX JAM NUT, GRADE 5	1
16	KBW 1308	DRIVE BLOCK ROD	1
17	KBW 1132R2	VALVE ENGAGE ARM	1
18	KBW 1134	SPACER	2
19	5/16-18 LN	LOCK NUT, NYLON INSERT	5
20	91	COMPRESSION SPRING	1
21	KBW 1131R2	PRO-2 BRACKET	1
22	5/16-18 X 3-3/4 UNC	HEX BOLT, GRADE 5	4
23	Y-6901-F-NWO-8-8	ADAPTER, 90°, 3/4" M O-RING - 1/2" FPT SWIVEL	1



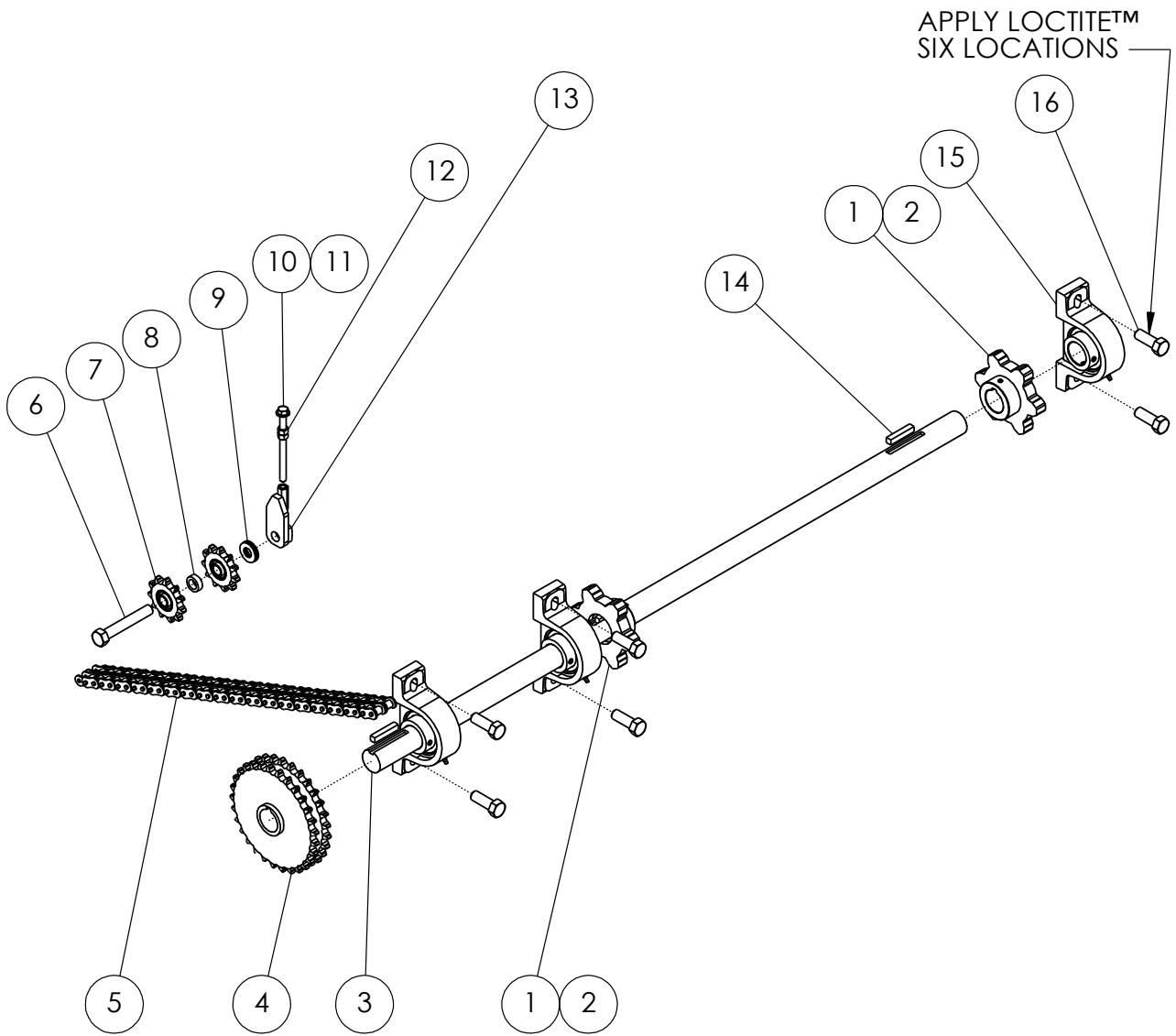
KBW052 HOOP DRIVE SHAFT

ITEM NO.	PART NUMBER	DESCRIPTION	QTY.
1	101-2090-009	HYDRAULIC MOTOR, 58 cc	1
2	Y-6901-F-NW O-4-4	ADAPTER, 90°, 7/16" M O-RING - 1/4" FPT SWIVEL	1
3	4000-904	SEAL, O-RING BOSS	1
4	Y-6900-O-10-8	ADAPTER, 7/8" M O-RING - 1/2" FPT SWIVEL	2
5	4000-910	SEAL, O-RING BOSS	2
6	3/8-16 X 1 UNC	HEX BOLT, GRADE 5	4
7	3/8 LW	SPRING LOCK WASHER	4
8	L100-N-1KW	COUPLING HUB, 1" ID	1
9	5/16-18 X 3/8 SS	SET SCREW	4
10	L100N	COUPLING SPIDER	1
11	4017E10	IDLER, #40 CHAIN, 5/8" ID, 17 TOOTH	2
12	#40-2	#40 ROLLER CHAIN, 65 LINKS	2
13	NAP 206-18	1-1/8" ID PILLOW BLOCK BEARING	2
14	40B16 X 1-1/8	ROLLER CHAIN SPROCKET W/HUB	2
15	KBW 1290	SHAFT, HOOP DRIVE, 55" LONG	1
16	5/8-11 LN	LOCK NUT, NYLON INSERT	2
17	5/8 FW	FLAT WASHER	6 AS REQUIRED
18	5/8-11 X 2 RHSN	CARRIAGE BOLT, GRADE 5	2
19	K 1/4 X 1-1/2	SQUARE KEY	3
20	5/8-11 X 1-3/4 UNC	HEX BOLT, GRADE 5	4
21	5/8 LW	SPRING LOCK WASHER	4
22	L100-N-9_8KW	COUPLING HUB, 1-1/8" ID	1
23	KBW 1216-B	BEARING MOUNT	1
24	1/2-13 X 1 UNC	HEX BOLT, GRADE 5	2



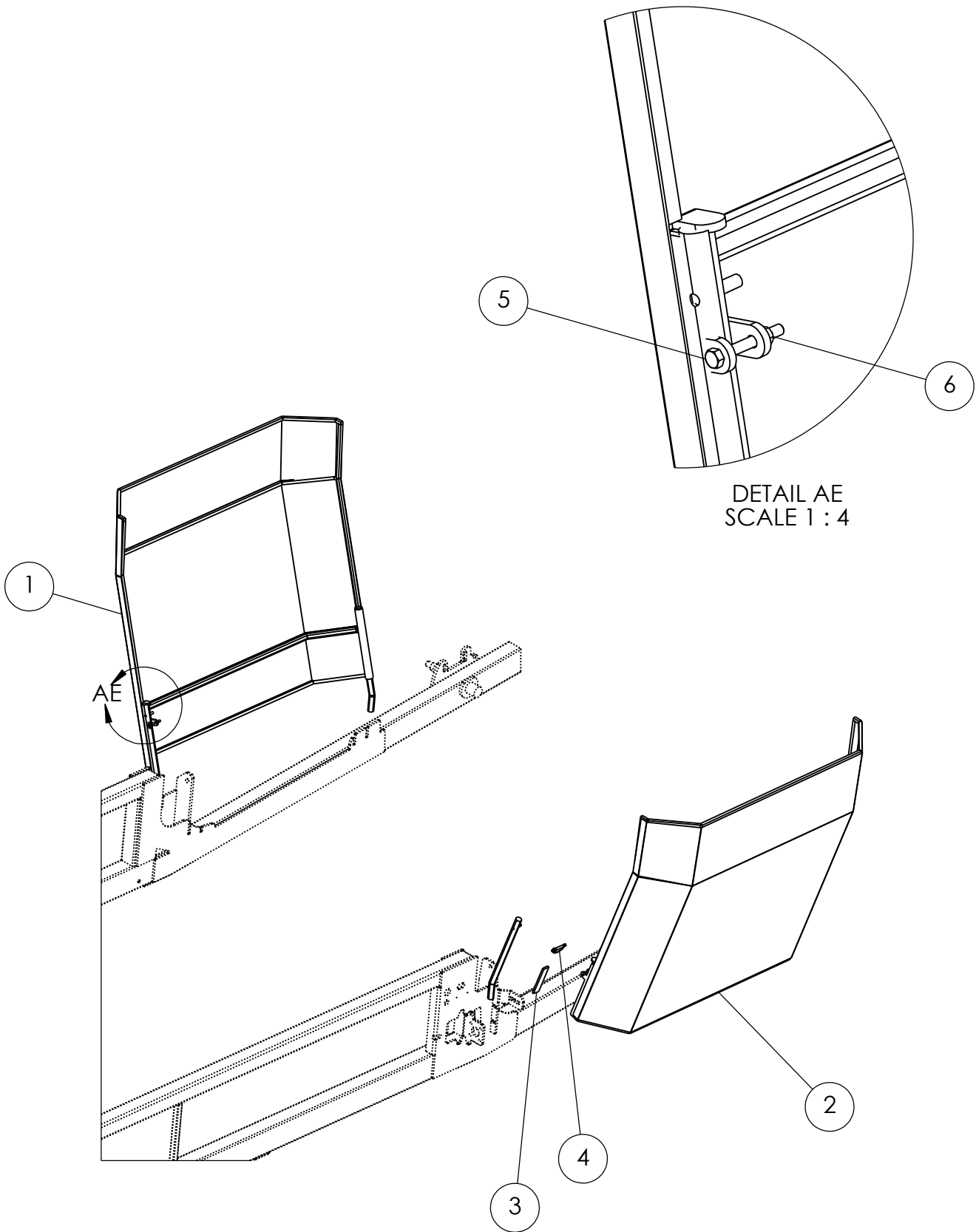
KBW054 WEB DRIVE JACKSHAFT

ITEM NO.	PART NUMBER	DESCRIPTION	QTY.
1	NAP 206-18	1-1/8" ID PILLOW BLOCK BEARING	2
2	5/8-11 X 2 UNC	HEX BOLT, GRADE 5	4
3	3/8 LW	SPRING LOCK WASHER	4
4	3/8-16 X 1 UNC	HEX BOLT, GRADE 5	4
5	60B9 X 1	ROLLER CHAIN SPROCKET W/HUB	1
6	5/16-18 X 5/16 SHSS	SOCKET HEAD SET SCREW, CUP POINT	8
7	5/8-11 X 2-1/2 UNC	HEX BOLT, GRADE 5	1
8	6011E10	IDLER, #60 CHAIN, 5/8" ID, 11 TOOTH	1
9	5/8 FW	FLAT WASHER	7
10	Y-6400-O-8-10	ADAPTER, 3/4" 37° JIC - 7/8" M O-RING	2
11	4000-910	SEAL, O-RING BOSS	2
12	5/8-11 LN	LOCK NUT, NYLON INSERT	5
13	101-1501-009	HYDRAULIC MOTOR, 159 cc	1
14	1/4 X 1 WK	WOODRUFF KEY, FULL RADIUS	1
15	#60-1	#60 ROLLER CHAIN, 73 LINKS	1
16	60B60 X 1-1/8	ROLLER CHAIN SPROCKET W/HUB	1
17	KBW1168	JACK SHAFT	1
18	K 1/4 X 2	SQUARE KEY	2
19	KBW1112	SPROCKET SPACER	1
20	60BS10 X 1-1/8	ROLLER CHAIN SPROCKET W/HUB	2



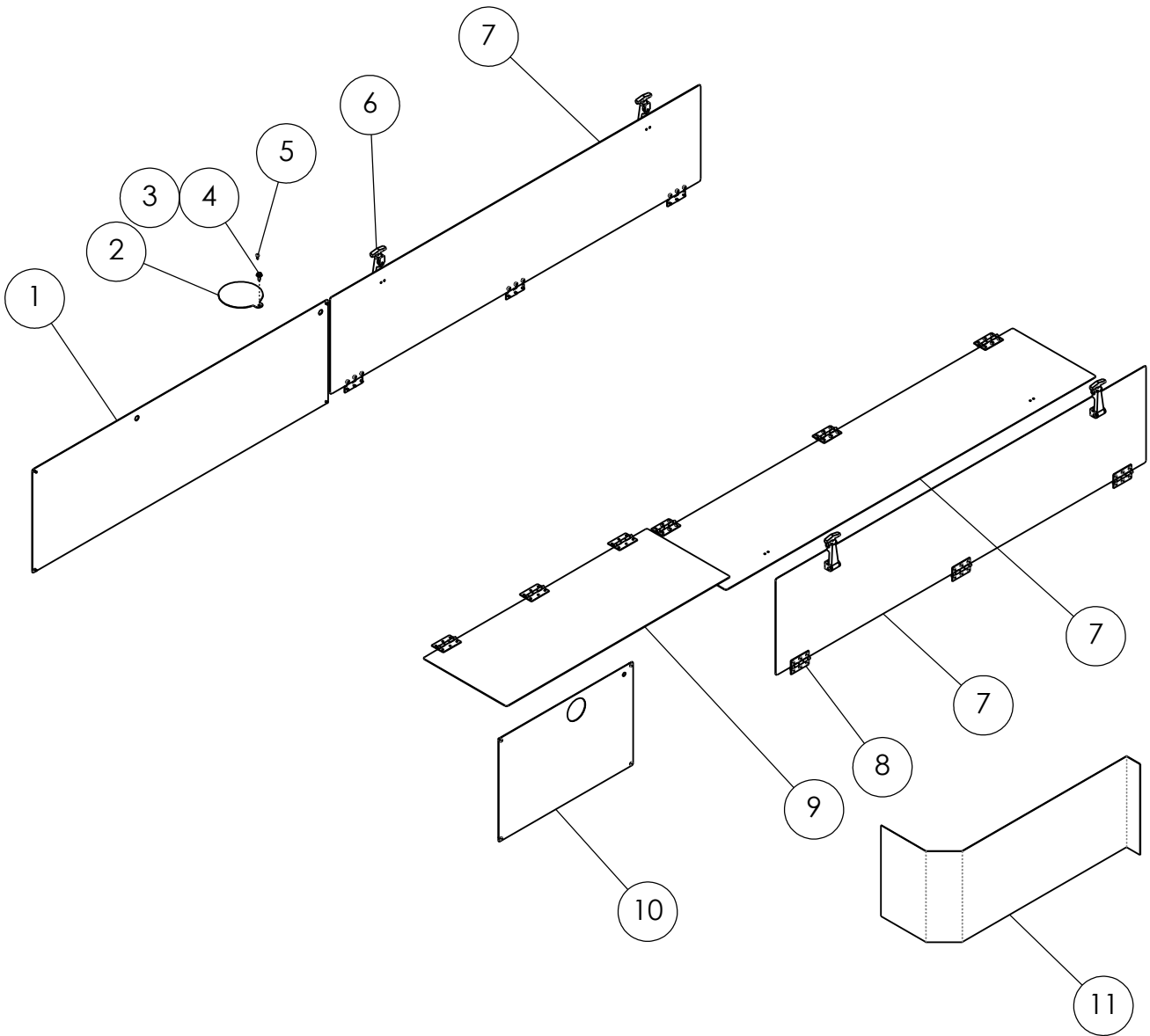
KBW053 WEB DRIVE ASSEMBLY

ITEM NO.	PART NUMBER	DESCRIPTION	QTY.
1	KBW1030	SPROCKET, WEB	2
2	1/4-20 X 5/8 SHSS	SOCKET HEAD SET SCREW, CUP POINT	2
3	KBW1166	SHAFT, WEB DRIVE	1
4	KBW1192	WEB DRIVE DOUBLE GEAR	1
5	#60-2	#60 DOUBLE ROLLER CHAIN, 89 LINKS	1
6	5/8-11 X 4 UNC	HEX BOLT, GRADE 5	1
7	6011E10	IDLER, #60 CHAIN, 5/8" ID, 11 TOOTH	2
8	KBW1108	BUSHING, WEB IDLER	1
9	5/8 FW	FLAT WASHER	3
10	3/8-16 X 5 UNC	HEX BOLT, GRADE 5	1
11	3/8 FW	FLAT WASHER	1
12	3/8-16 UNC	HEX NUT, GRADE 5	2
13	KBW1258	WEB DRIVE TENSIONER	1



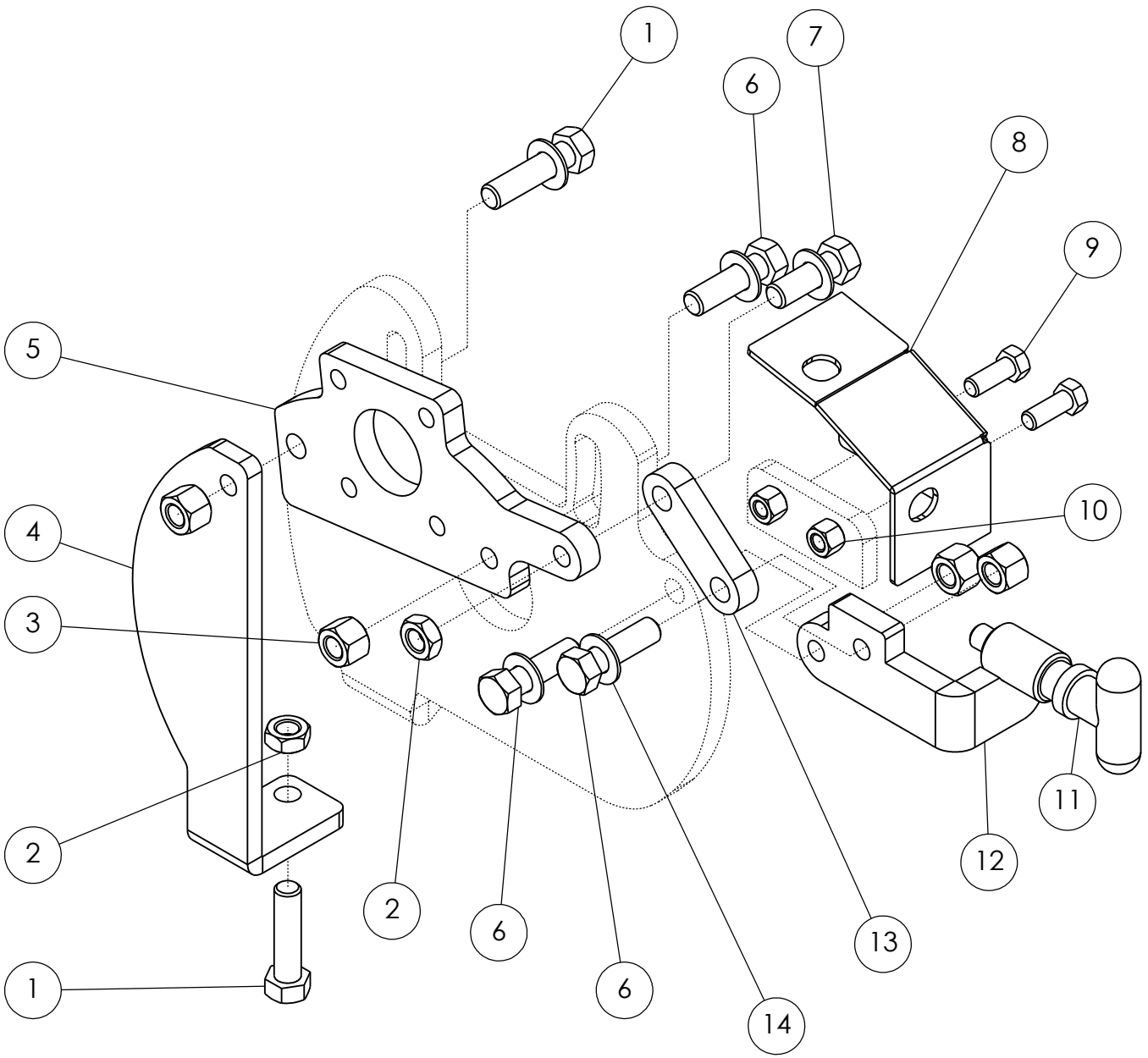
KBW MODEL 260 HOOP SHIELDS

ITEM NO.	PART NUMBER	DESCRIPTION	QTY.
1	KBW018-14-RH	RH HOOP SHIELD	1
2	KBW018-14-LH	LH HOOP SHIELD	1
3	CS-4712ST-100	BUMPER PAD	2
4	FLPSW5	SAFETY PIN	1
5	5/16-18 X 2-1/2 UNC	HEX BOLT, GRADE 5	1
6	5/16-18 LN	LOCK NUT, NYLON INSERT	1



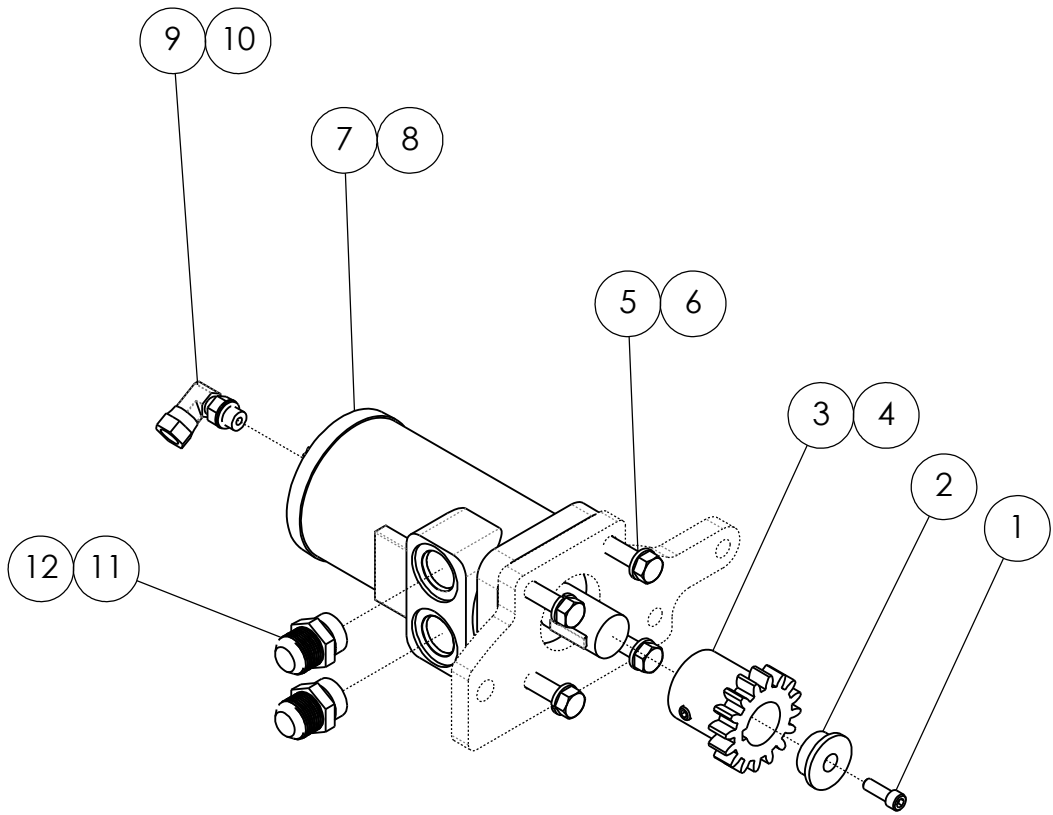
KBW046 ENGINE COMPARTMENT COVERS

ITEM NO.	PART NUMBER	DESCRIPTION	QTY.
1	KBW 1078	PANEL, TANK SIDE COVER	1
2	KBW 1008	COVER, HYDRAULIC FILL	1
3	1/4-20 LN	LOCK NUT, NYLON INSERT	1
4	1/4-20 X 3/4 UNC	HEX BOLT, GRADE 5	1
5	10-24 X 1/2	PAN HEAD SCREW	1
6	32818528	RUBBER HOOD LATCH	4
7	KBW 1079	PANEL, LARGE DOOR	3
8	32834533	LEAF HINGE	12
9	KBW 1080	PANEL, SMALL DOOR (ENGINE)	1
10	KBW 1081	PANEL, SMALL SIDE (TRANSMITTER)	1
11	KBW 1341	SCREEN, CHAIN SHIELD	1
12	10-24 X 3/8	PAN HEAD SCREW (NOT SHOWN)	80
13	1024 KEPS	10-24 KEPS NUT (NOT SHOWN)	36



KBW022R13 DRIVE LINKAGE

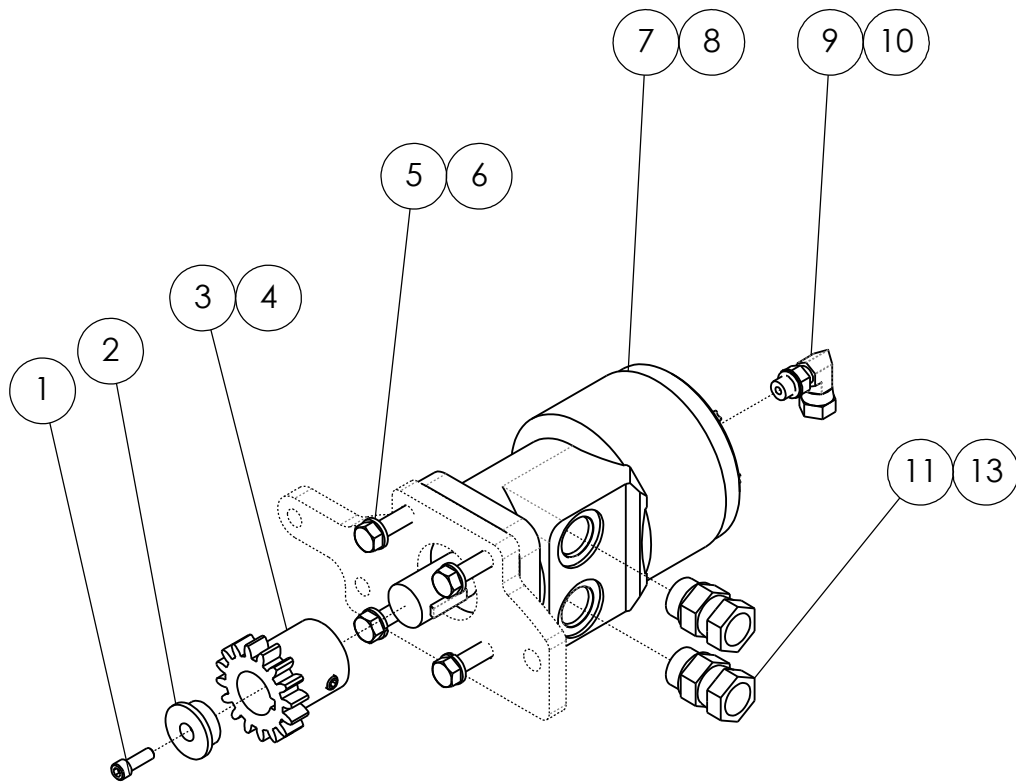
ITEM NO.	PART NUMBER	DESCRIPTION	QTY.
1	1/2-13 X 2 UNC	HEX BOLT, GRADE 5	2
2	1/2-13 JAM	HEX JAM NUT, GRADE 5	2
3	1/2-13 LN	LOCK NUT, NYLON INSERT	4
4	KBW 1071-LH	PLATE, DRIVE SPRING, PRO	1
	KBW 1071-RH	PLATE, DRIVE SPRING, PRO-2 DUAL DRIVE	
5	KBW 1070	MOUNT, DRIVE MOTOR	1
6	1/2-13 X 1-3/4 UNC	HEX BOLT, GRADE 5	3
7	1/2-13 X 1-1/2 UNC	HEX BOLT, GRADE 5	1
8	KBW 1225-LH	DRIVE LATCH PLATE, PRO	1
	KBW 1225-RH	DRIVE LATCH PLATE, PRO-2 DUAL DRIVE	
9	3/8-16 X 1 UNC	HEX BOLT, GRADE 5	2
10	3/8-16 LN	LOCK NUT, NYLON INSERT	2
11	09300088	QUICK RELEASE PIN	1
12	KBW 030-LH	DRIVE HANDLE, PRO	1
	KBW 030-RH	DRIVE HANDLE, PRO-2 DUAL DRIVE	
13	KBW 1245	LINK, DRIVE	1
14	FW 1/2	FLAT WASHER	5



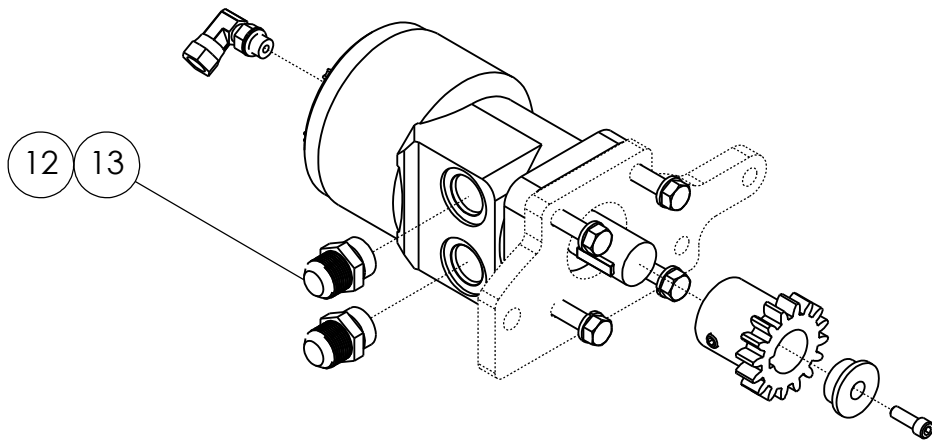
KBW042 LH DRIVE MOTOR ASSEMBLY

PRO SINGLE WHEEL DRIVE MOTOR

ITEM NO.	PART NUMBER	DESCRIPTION	QTY.
1	1/4-20 X 3/4 SH	SOCKET HEAD CAP SCREW	1
2	KBW1107	RETAINER, GEAR	1
3	8FS16	SPUR GEAR	1
4	5/16-18 X 5/16 SHSS	SOCKET HEAD SET SCREW , CUP POINT	1
5	3/8 LW	SPRING LOCK WASHER	4
6	3/8-16 X 1-1/4 UNC	HEX BOLT, GRADE 5	4
7	101-2435-009	HYDRAULIC MOTOR, 294 cc	1
8	1/4 X 1 WK	WOODRUFF KEY, FULL RADIUS	1
9	Y-6901-F-NWO-4-4	ADAPTER, 90°, 7/16" M O-RING - 1/4" FPT SWIVEL	1
10	4000-904	SEAL, O-RING BOSS	1
11	Y-6400-O-8-10	ADAPTER, STRAIGHT, 3/4" 37° JIC - 7/8" M O-RING	2
12	4000-910	SEAL, O-RING BOSS	2



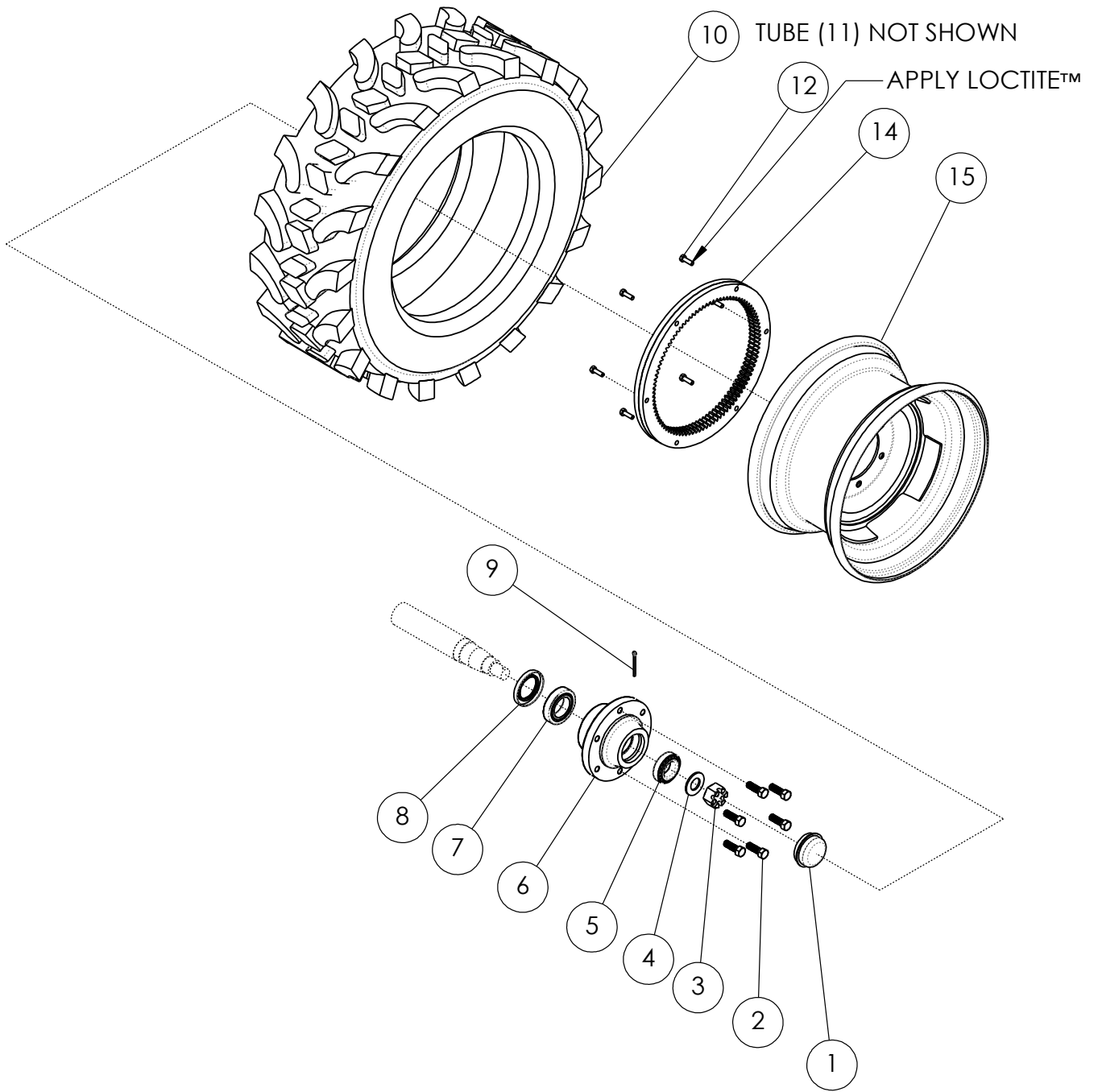
KBW061 RH DRIVE MOTOR ASSEMBLY



KBW042 LH DRIVE MOTOR ASSEMBLY

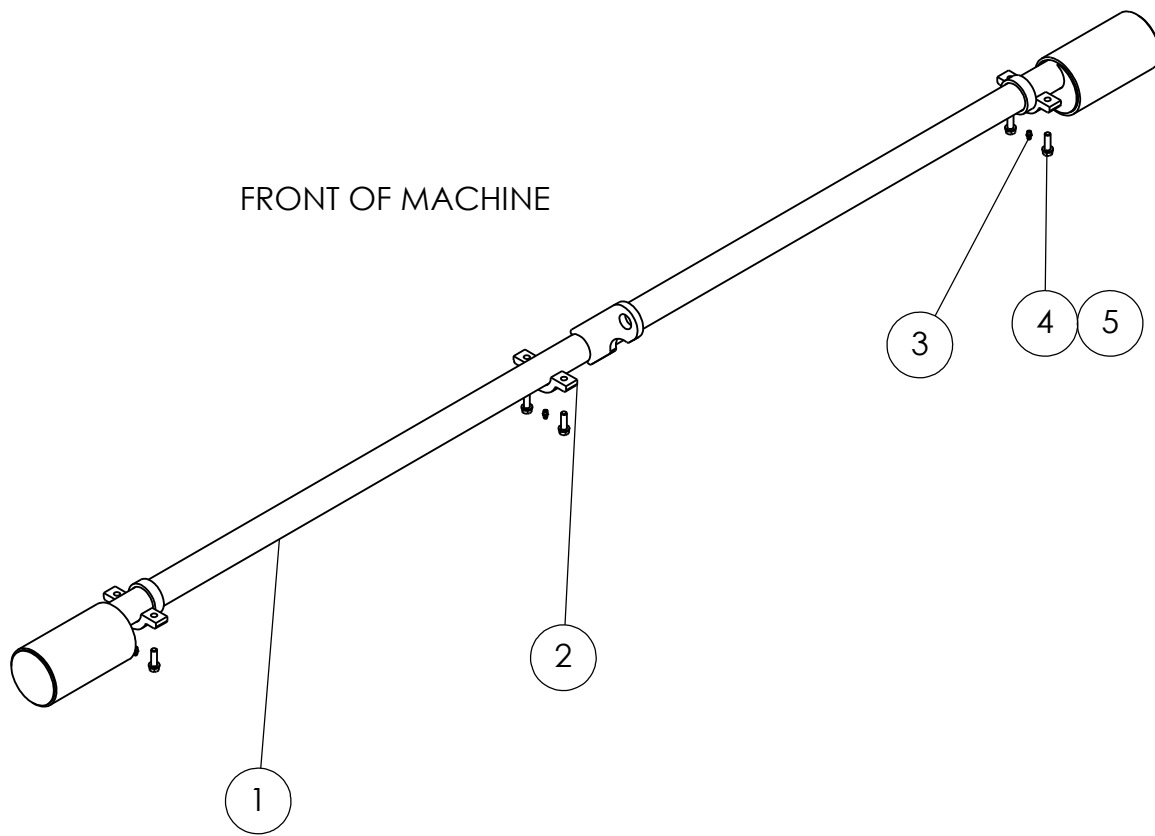
PRO-2 DOUBLE WHEEL DRIVE MOTORS

ITEM NO.	PART NUMBER	DESCRIPTION	QTY. EACH
1	1/4-20 X 3/4 SH	SOCKET HEAD CAP SCREW	1
2	KBW1107	RETAINER, GEAR	1
3	8FS16	SPUR GEAR	1
4	5/16-18 X 5/16 SHSS	SOCKET HEAD SET SCREW , CUP POINT	1
5	3/8 LW	SPRING LOCK WASHER	4
6	3/8-16 X 1-1/4 UNC	HEX BOLT, GRADE 5	4
7	103-2014-012	HYDRAULIC MOTOR, 243 cc	1
8	1/4 X 1 WK	WOODRUFF KEY, FULL RADIUS	1
9	Y-6901-F-NWO-4-4	ADAPTER, 90°, 7/16" M O-RING - 1/4" FPT SWIVEL	1
10	4000-904	SEAL, O-RING BOSS	1
11	Y-6900-O-10-8	ADAPTER, 7/8" M O-RING - 1/2" FPT SWIVEL RH MOTOR ONLY	2
12	Y-6400-O-8-10	ADAPTER, 3/4" 37° JIC - 7/8" M O-RING LH MOTOR ONLY	2
13	4000-910	SEAL, O-RING BOSS	2



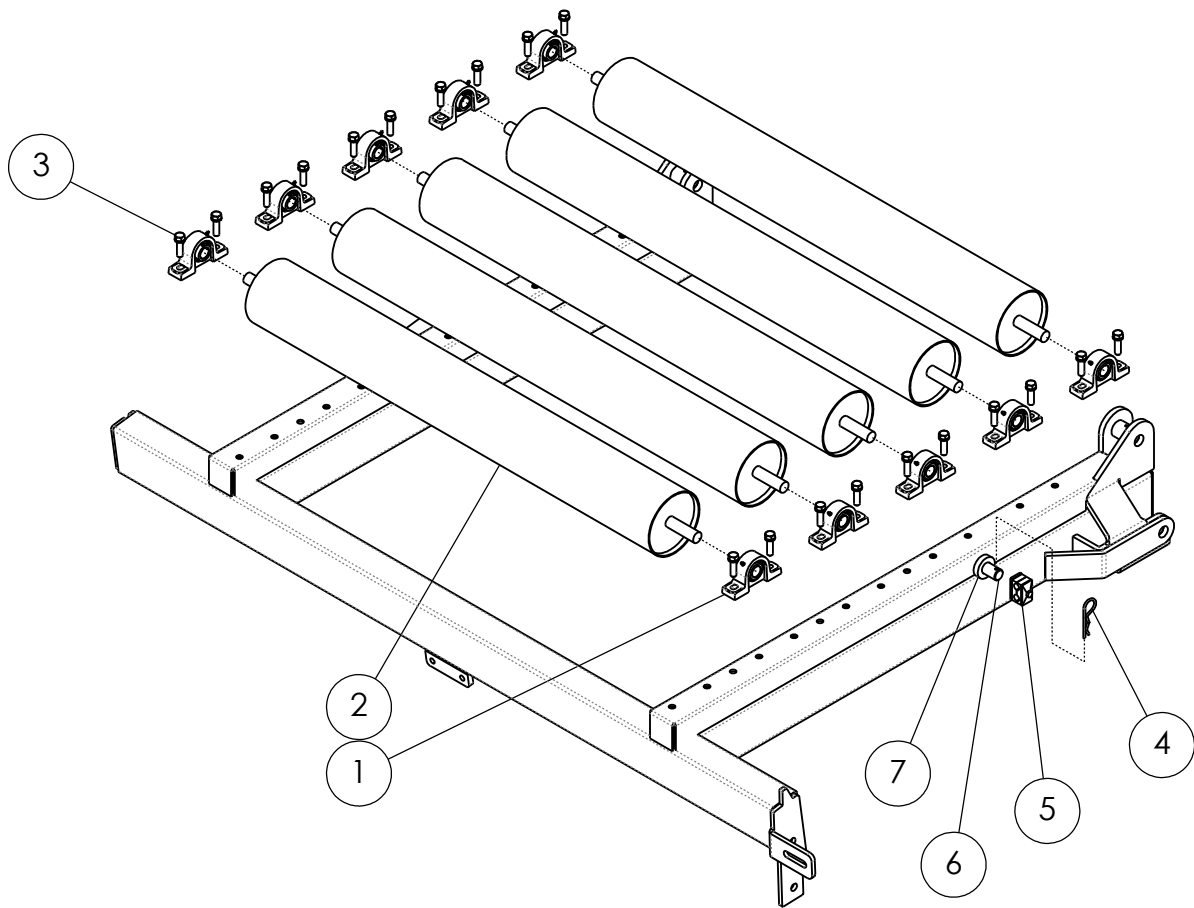
KBW013-LH DRIVE WHEEL ASSEMBLY

ITEM NO.	PART NUMBER	DESCRIPTION	QTY.
1	CAP 2.6	GREASE CAP, 2.56" OD	1
2	LB 0.5-20	1/2-20 X 1-1/4 LUG BOLT	6
3	1-12 SLOT	HEX SLOTTED NUT	1
4	1 FW	FLAT WASHER, 1.062 X 2 X 0.134	1
5	LM48548-LM48510	TAPERED ROLLER BEARING SET, 1.375 ID X 2.563 OD	1
6	EM5000-6	6 BOLT HUB	1
7	LM603049-LM603011	TAPERED ROLLER BEARING SET, 1.781 ID X 3.063 OD	1
8	203063	GREASE SEAL, 2" ID X 3.066 OD	1
9	CP-188X2000	3/16 X 2 COTTER PIN	1
10	10X111461	10-16.5 EXTRA WALL SKIDSTEER TIRE	1
11	TU552399	16.5" TUBE	1
12	5/16-18 X 1 UNC	HEX BOLT, GRADE 5	6
13	LOCTITE™ 242	MEDIUM-STRENGTH THREADLOCKER	1
14	KBW 1075	DRIVE GEAR	2
15	KBW 1077 DRIVE WHEEL	8.25 X 16.5 RIM AND GEAR PLATE WELDMENT	1
16	CL0108-098	LUBRIPLATE 3000, HI-TACK MOLYBDENUM GREASE	1



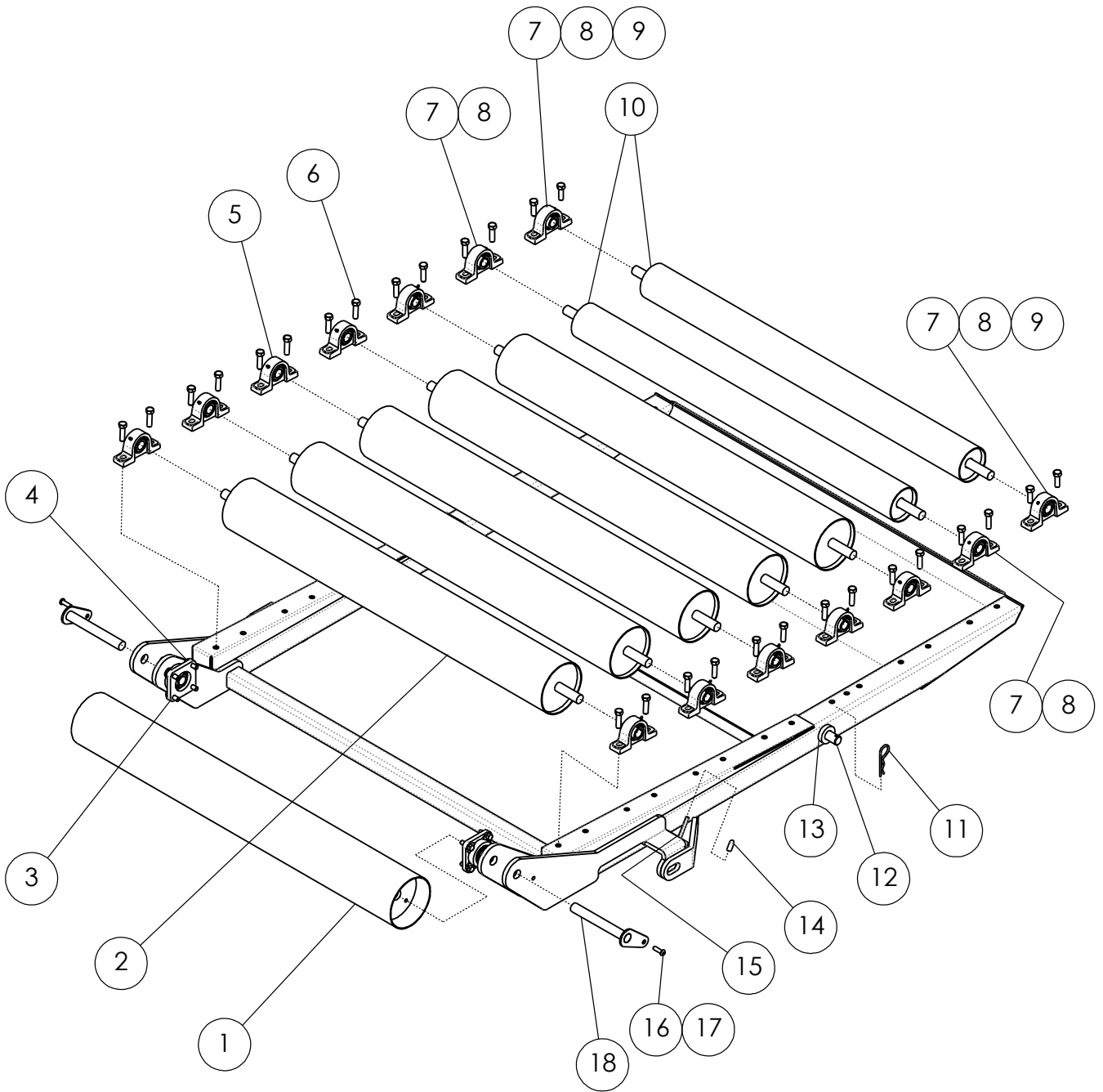
KBW06R2013 BRAKE ASSEMBLY

ITEM NO.	PART NUMBER	DESCRIPTION	QTY.
1	KBW 1186	SHAFT, BRAKE CROSS	1
2	KBW 1227	BRAKE MOUNT CAP	3
3	ZERK	ZERK FITTING - STRAIGHT (1/4"-28 UNF)	3
4	3/8-16 X 1-1/4 UNC	HEX BOLT, GRADE 5	6
5	3/8 LW	SPRING LOCK WASHER	6



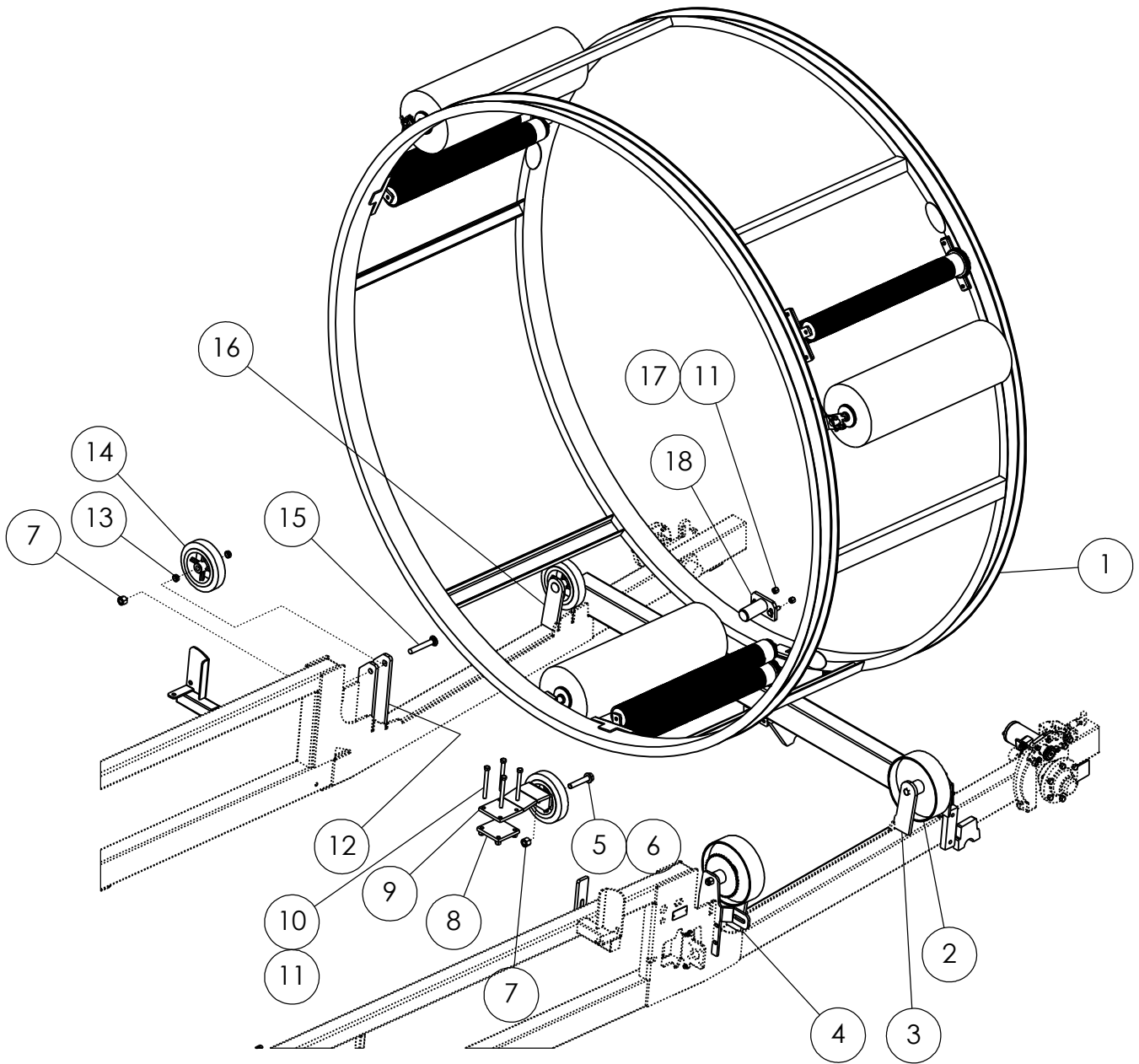
KBW RAMP 260 RAMP ROLLERS

ITEM NO.	PART NUMBER	DESCRIPTION	QTY.
1	UCP 205-16	1" ID PILLOW BLOCK BEARING	10
2	KBW011	6" ROLLER WELDMENT	5
3	1/2-13 X 1-3/4 UNC	HEX BOLT, GRADE 5	20
4	FBP6	SPRING CLIP	1
5	T-2010S	HOSE CLAMP, DOUBLE 3/8"	2
6	KBW1157	GATE LATCH POST (WELD ON)	1
7	KBW1085	SPACER WASHER (WELD ON)	1



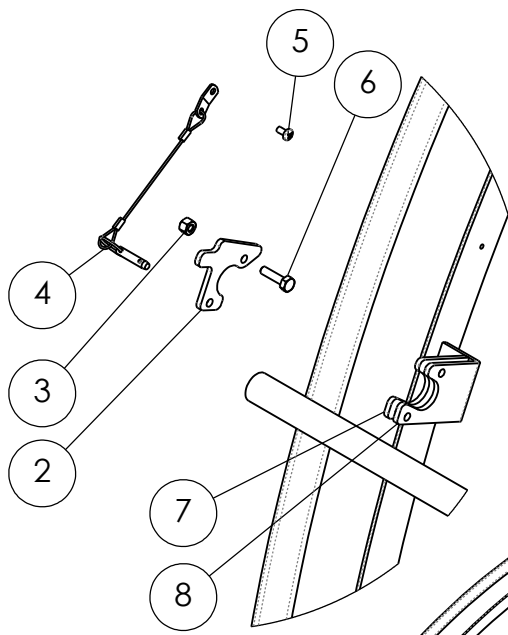
KBW059 TAILGATE COMPLETE

ITEM NO.	PART NUMBER	DESCRIPTION	QTY.
1	KBW111	PIVOT ROLLER, 6"	1
2	KBW011	6" ROLLER WELDMENT	5
3	NANF 205-16	1" ID 4-BOLT FLANGE BEARING	2
4	7/16-14 X 1-1/4 UNC	HEX BOLT, GRADE 5	8
5	UCP 205-16	1" ID PILLOW BLOCK BEARING	10
6	1/2-13 X 1-3/4 UNC	HEX BOLT, GRADE 5	24
7	UCP 205-16	1" ID PILLOW BLOCK BEARING, REPLACE ZERK W/PLUG	4
8	M6 X 6 SHSS	SOCKET HEAD SET SCREW, CUP POINT, FOR #7	4
9	1/2-13 X 1-1/2 UNC	HEX BOLT, GRADE 5	4
10	KBW010	4" ROLLER WELDMENT	2
11	FBP6	SPRING CLIP	1
12	KBW1157	GATE LATCH POST (WELD ON)	1
13	KBW1085	SPACER WASHER (WELD ON)	1
14	31992217	PLASTIC CAP	1
15	KBW1164	HOLDER, GATE LATCH (WELD ON)	1
16	3/8-16 X 1-1/4 SBHS	BUTTON HEAD SCREW, INTERNAL HEX, GRADE 5	2
17	3/8-16 LN	LOCK NUT, NYLON INSERT	2
18	KBW1169	TAILGATE PIVOT PIN	2

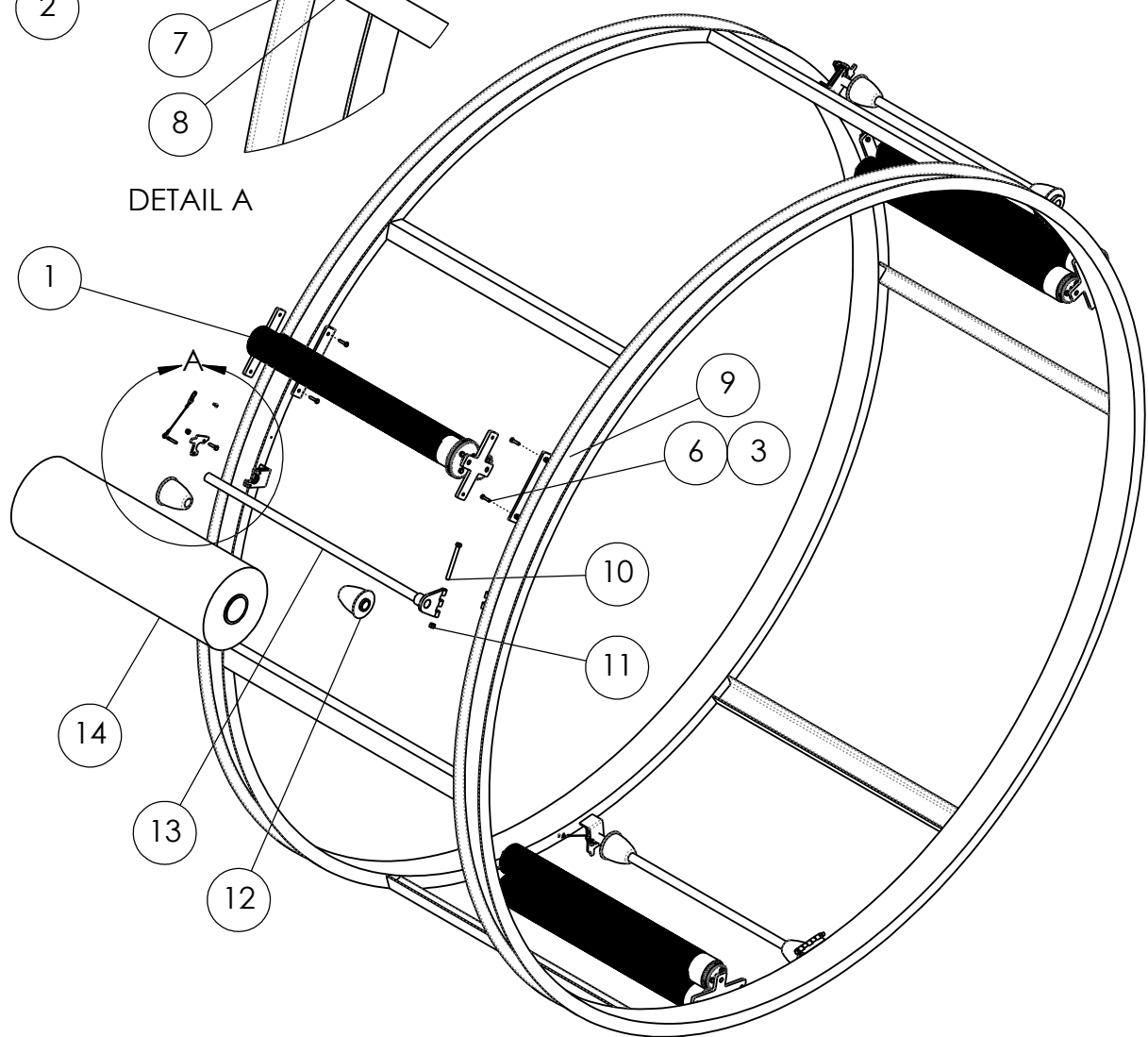


KBW MODEL 260 WRAP HOOP
AND ROLLERS

ITEM NO.	PART NUMBER	DESCRIPTION	QTY.
1	KBW014	WRAP HOOP	1
2	KBW1170	HOOP DRIVE WHEEL ASSEMBLY - SEE PAGE #61	2
3	KBW1278	HOOP DRIVE BRKT SHORT	1
4	KBW1279	HOOP DRIVE BRACKET	1
5	3/4-10 X 4 UNC	HEX BOLT, GRADE 5	1
6	3/4 FW	FLAT WASHER	1
7	3/4-10 LN	LOCK NUT, NYLON INSERT	3
8	KBW1297-2	CLAMP PLATE	1
9	KBW1297-1	KEEPER WHEEL BRACKET	1
10	1/2-13 X 5 UNC	HEX BOLT, GRADE 5	4
11	1/2-13 LN	LOCK NUT, NYLON INSERT	6
12	KBW1283	HOOP IDLER TAB	1
13	KBW1292-2	IDLER WHEEL BEARING SPACER	6
14	8x2	RUBBER TIRE CASTER WHEEL	3
15	3/4-10 X 5 RHSN	CARRIAGE BOLT, GRADE 5	2
16	KBW1281	HOOP IDLER BRACKET LONG	1
17	1/2-13 X 1-3/4 UNC	HEX BOLT, GRADE 5	2
18	KBW056	HOOP HOLD-DOWN, REAR	1

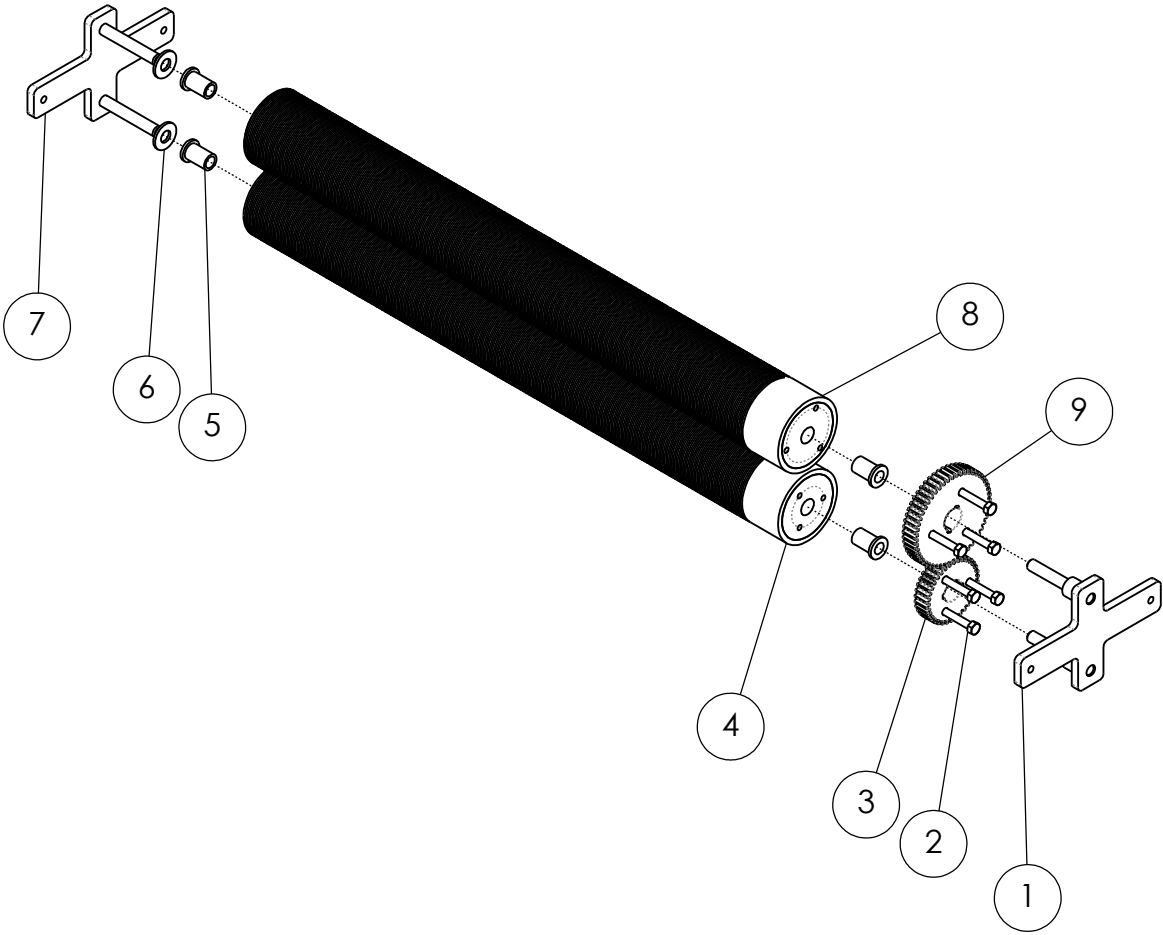


DETAIL A



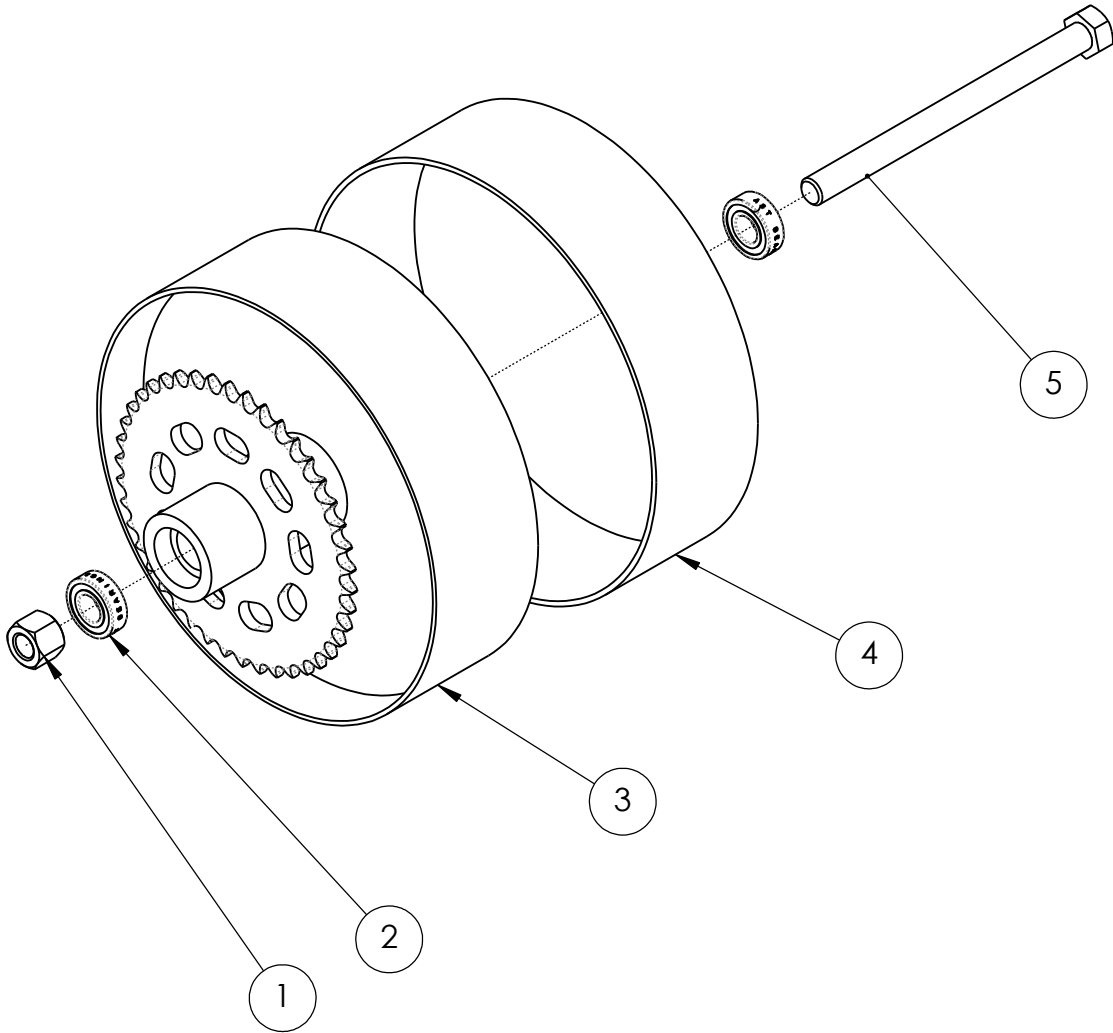
KBW014-14 HOOP

ITEM NO.	PART NUMBER	DESCRIPTION	QTY.
1	KBW051	WRAP FEED ASSEMBLY - SEE PAGE #59	3
2	KBW1036	CATCH, SLAM LATCH	3
3	1/4-20 LN	LOCK NUT, NYLON INSERT	15
4	94975148	PIN AND LANYARD	3
5	10-24 X 3/8	PAN HEAD SCREW	3
6	1/4-20 X 1 UNC	HEX BOLT, GRADE 5	15
7	KBW1035	LATCH SUPPORT (WELD ON)	3
8	KBW1034	SLAM LATCH (WELD ON)	3
9	BELTING	*	2
10	3/8-16 X 4 UNC	HEX BOLT, GRADE 5	3
11	3/8-16 UNC	HEX NUT, GRADE 5	3
12	KBW1020	WRAP CONE	6
13	KBW1155	WRAP ROLL AXLE	3
14	FLAVOR SEAL	STRETCH WRAP	3
15	GORILLA GLUE™	*	1



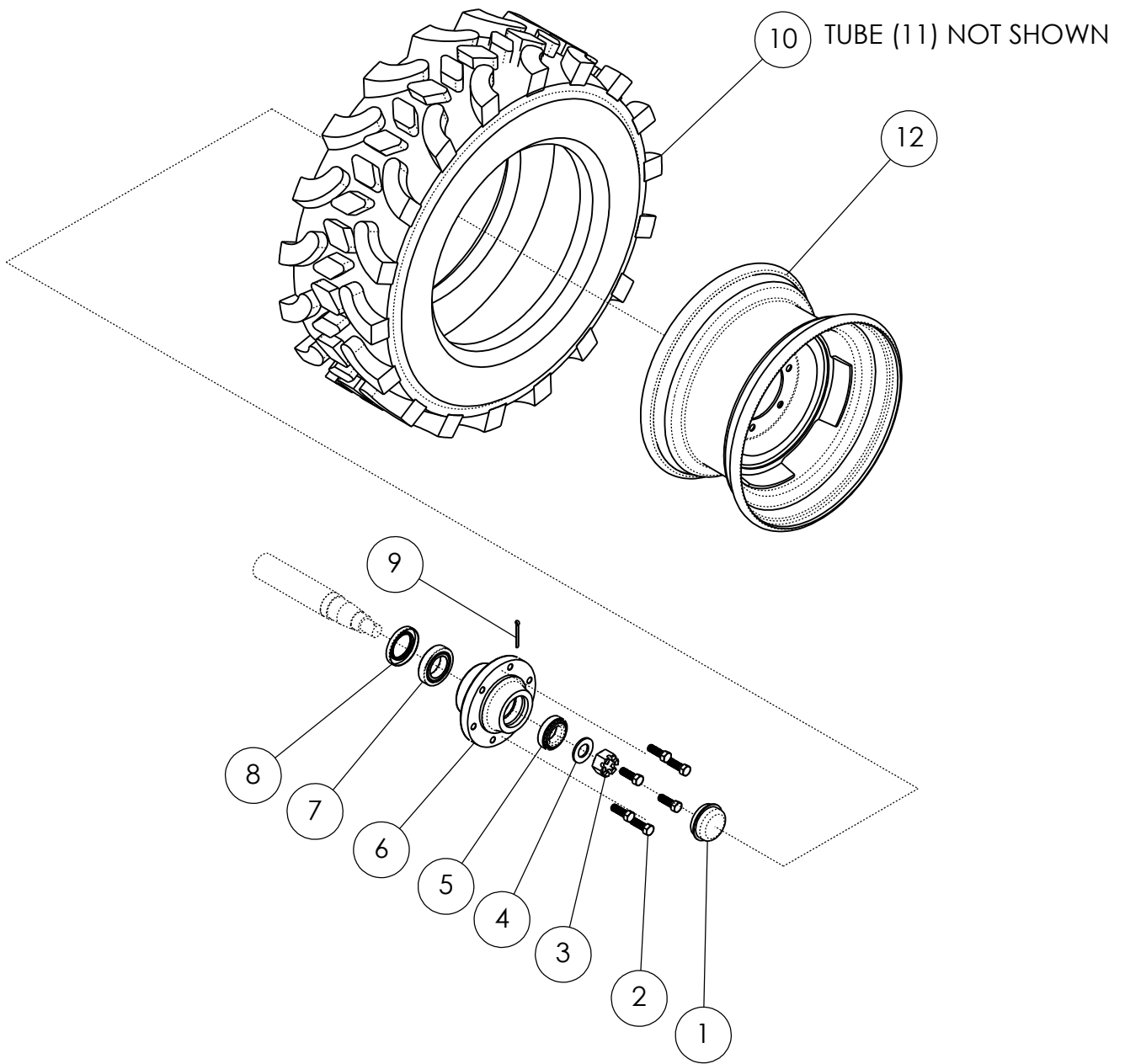
KBW051 WRAP FEED ASSEMBLY

ITEM NO.	PART NUMBER	DESCRIPTION	QTY.
1	KBW 1285-RH	DISPENSER YOKE, RIGHT	1
2	5/16 X 2 LAG	LAG SCREW (S/N -20214)	6
	5/16-18 X 1-1/2 UNC	HEX BOLT, GRADE 5 (S/N 20215-)	6
3	GD-35	DISPENSER GEAR, 35 TOOTH	1
4	KBW 1129	ROLLER B, 3-1/2"	1
5	EF081220	FLANGED BRONZE BEARING, 0.5 X 0.75 X 1.25	4
6	1/2 FW	FLAT WASHER	2
7	KBW 1285-LH	DISPENSER YOKE, LEFT	1



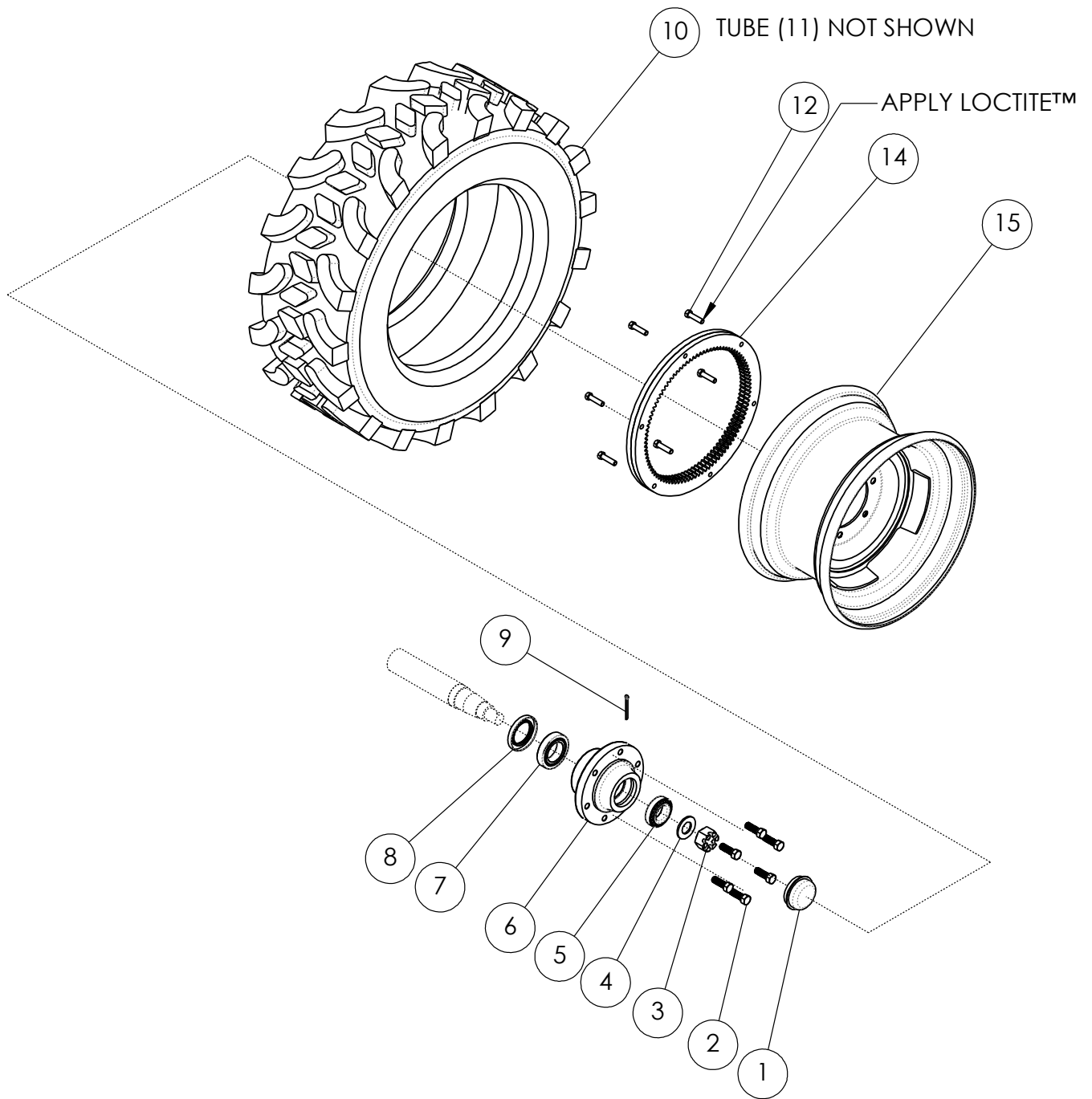
KBW1170 HOOP DRIVE WHEEL ASSEMBLY

ITEM NO.	PART NUMBER	DESCRIPTION	QTY.
1	5/8-11 LN	LOCK NUT, NYLON INSERT	1
2	1623-2RS	ROLLER BEARING	2
3	KBW1170	HOOP DRIVE WHEEL WELDMENT	1
4	BELTING	*	1
5	5/8-11 X 8 UNC	HEX BOLT, GRADE 5	1
6	GORILLA GLUE™		1



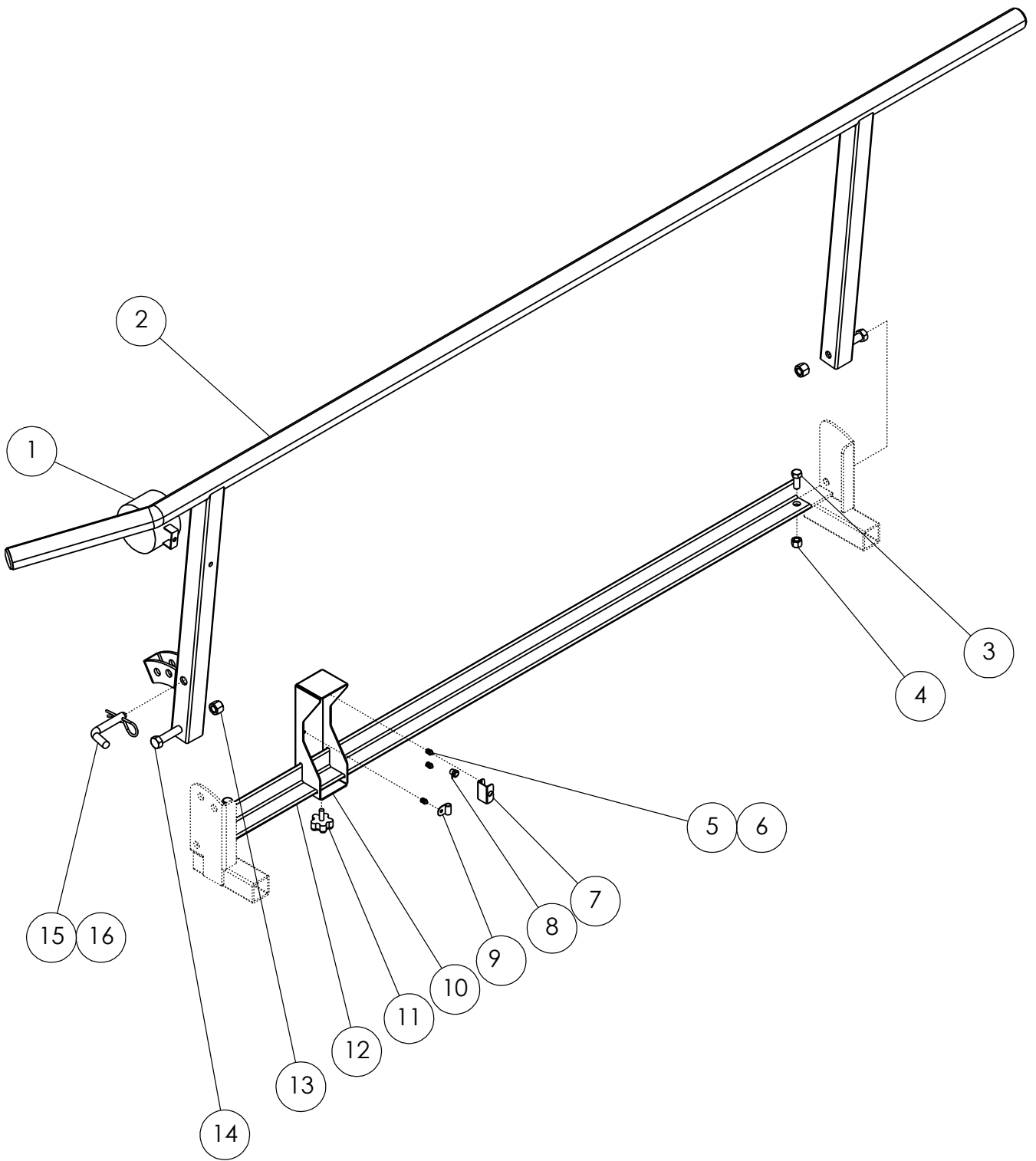
KBW013-RH REAR WHEEL ASSEMBLY

ITEM NO.	PART NUMBER	DESCRIPTION	QTY.
1	CAP 2.6	GREASE CAP, 2.56" OD	1
2	LB 0.5-20	1/2-20 X 1-1/4 LUG BOLT	6
3	1-12 SLOT	HEX SLOTTED NUT	1
4	1 FW	FLAT WASHER, 1.062 X 2 X 0.134	1
5	LM48548-LM48510	TAPERED ROLLER BEARING SET, 1.375 ID X 2.563 OD	1
6	EM5000-6	6 BOLT HUB	1
7	LM603049-LM603011	TAPERED ROLLER BEARING SET, 1.781 ID X 3.063 OD	1
8	203063	GREASE SEAL, 2" ID X 3.066 OD	1
9	CP-188X2000	3/16 X 2 COTTER PIN	1
10	10X111461	10-16.5 EXTRA WALL SKIDSTEER TIRE	1
11	TU552399	16.5" TUBE	1
12	KBW1077 DRIVE WHEEL	8.25 X 16.5 RIM AND GEAR PLATE WELDMENT	1
13	CL0108-098	LUBRIPLATE 3000, HI-TACK MOLYBDENUM GREASE	1



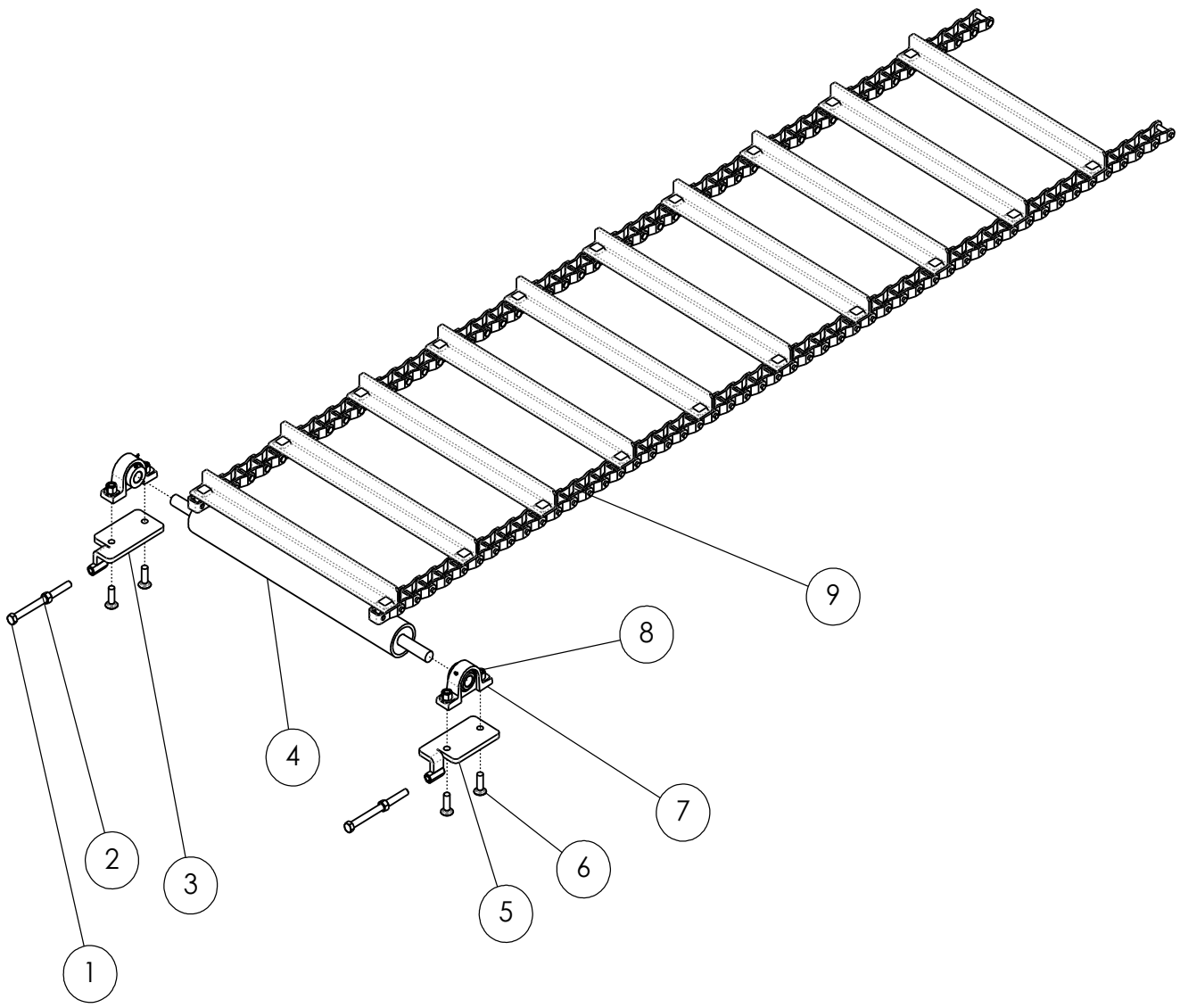
KBW013-RH-PRO2 REAR WHEEL ASSEMBLY, RH DRIVE

ITEM NO.	PART NUMBER	DESCRIPTION	QTY.
1	CAP 2.6	GREASE CAP, 2.56" OD	1
2	LB 0.5-20	1/2-20 X 1-1/4 LUG BOLT	6
3	1-12 SLOT	HEX SLOTTED NUT	1
4	1 FW	FLAT WASHER, 1.062 X 2 X 0.134	1
5	LM48548-LM48510	TAPERED ROLLER BEARING SET, 1.375 ID X 2.563 OD	1
6	EM5000-6	6 BOLT HUB	1
7	LM603049-LM603011	TAPERED ROLLER BEARING SET, 1.781 ID X 3.063 OD	1
8	203063	GREASE SEAL, 2" ID X 3.066 OD	1
9	CP-188X2000	3/16 X 2 COTTER PIN	1
10	10X111461	10-16.5 EXTRA WALL SKIDSTEER TIRE	1
11	TU552399	16.5" TUBE	1
12	3/8-16 X 1-1/2 UNC	HEX BOLT, GRADE 5	6
13	LOCTITE™ 242	MEDIUM-STRENGTH THREADLOCKER	1
14	KBW 1075	DRIVE GEAR	2
15	KBW 1077 DRIVE WHEEL	8.25 X 16.5 RIM AND GEAR PLATE WELDMENT	1
16	CL0108-098	LUBRIPLATE 3000, HI-TACK MOLYBDENUM GREASE	1



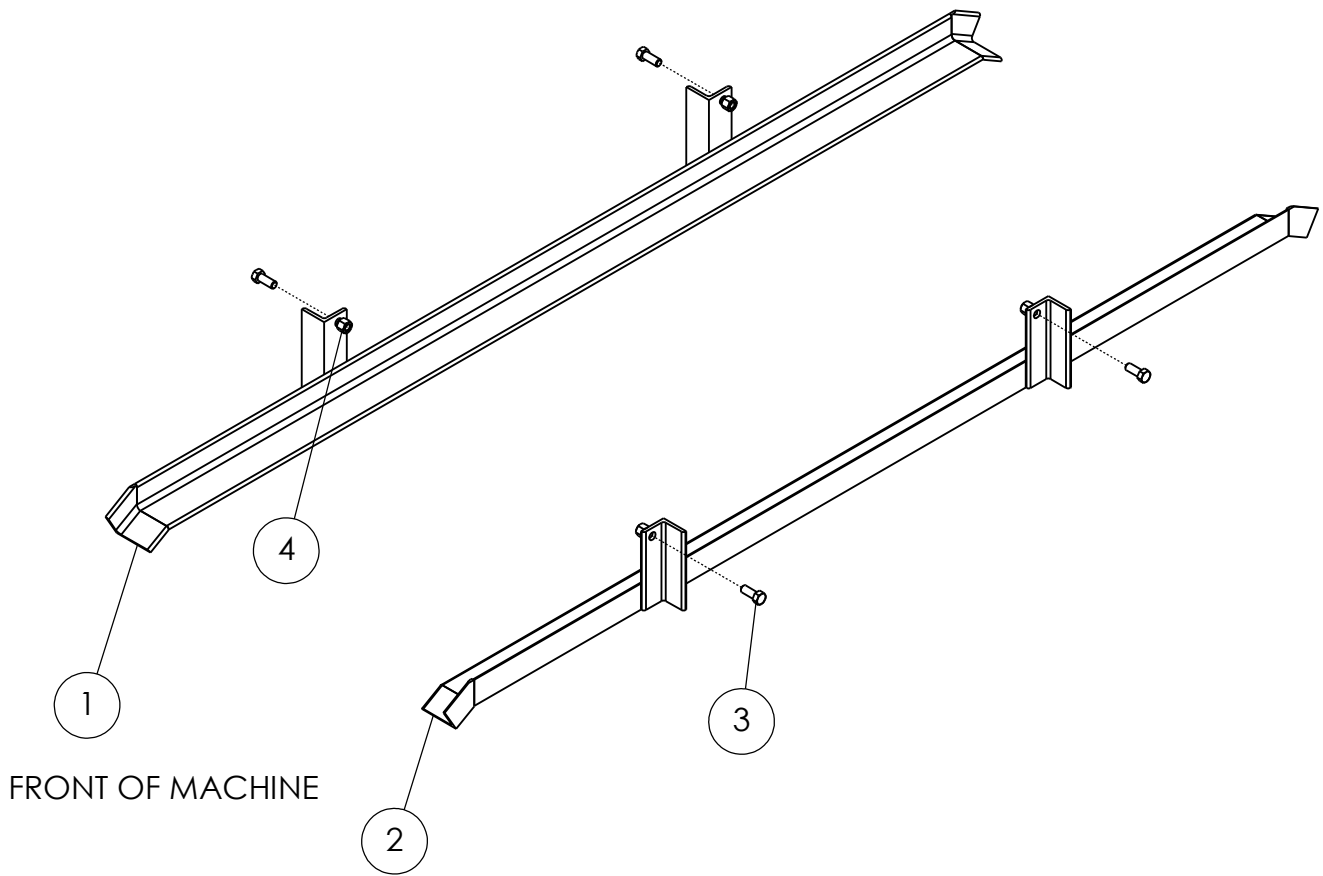
KBW037-RH BALE GUIDE ARM

ITEM NO.	PART NUMBER	DESCRIPTION	QTY.
1	81260	WORKLIGHT, LED	1
2	KBW035-RH	BALE GUIDE RAIL, RH	1
	KBW035-LH	BALE GUIDE RAIL, LH	1
3	1/2-13 X 1-1/4 UNC	HEX BOLT, GRADE 5	2
4	1/2-13 LN	LOCK NUT, NYLON INSERT	2
5	10-24 X 3/8	PAN HEAD SCREW	3
6	FKN010	10-24 KEPS NUT	3
7	KBW1032	TAB, ELECTRIC EYE	1
8	PB-10NS	PHOTOELECTRIC BEAM SENSOR	1
		QUANTITY IS PER WRAPPER	
9	AV09383	1/4" LOOM CLAMP	1
10	KBW1031	BRACKET, ELECTRIC EYE	1
11	591370	KNOB	1
12	KBW10031-13	RAIL, ELECTRIC EYE	1
13	5/8-11 LN	LOCK NUT, NYLON INSERT	2
14	5/8-11 X 3-1/4 UNC	HEX BOLT, GRADE 5	2
15	FBEP1024	BENT PIN	1
16	FBP6	SPRING CLIP	1



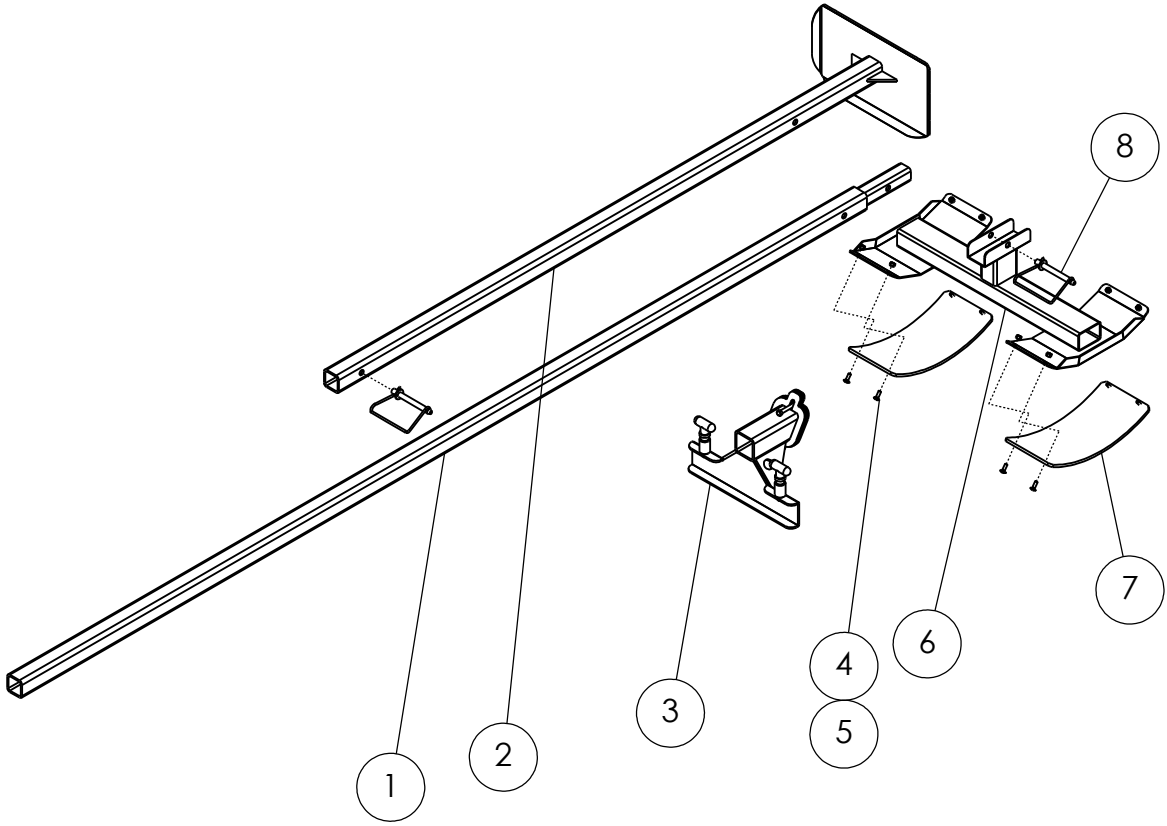
KBW045 BALE WEB ASSEMBLY

ITEM NO.	PART NUMBER	DESCRIPTION	QTY.
1	5/8-11 X 8 FULL	HEX BOLT, FULL-THREAD, GRADE 5	2
2	5/8-11 UNC	HEX NUT, GRADE 5	2
3	KBW034-RH	WEB TENSION PLATE	1
4	KBW05	WEB IDLER ROLLER	1
5	KBW034-LH	WEB TENSION PLATE	1
6	5/8-11 X 2 RHSN	CARRIAGE BOLT, GRADE 5	4
7	NAP 206-18	1-1/8" ID PILLOW BLOCK BEARING	2
8	5/8-11 LN	LOCK NUT, NYLON INSERT	4
9	KBW043	WEB CHAIN	1



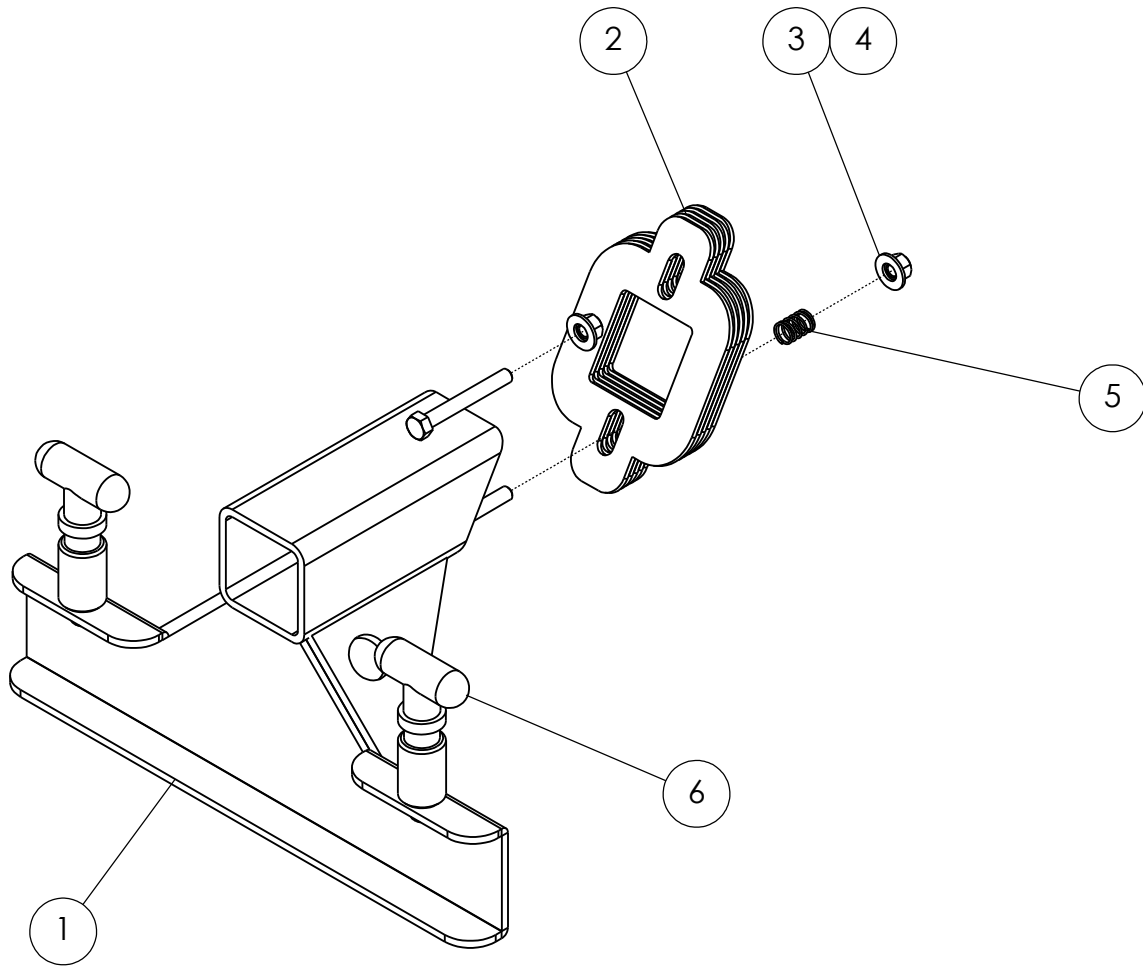
FEED WEB CARRIER

ITEM NO.	PART NUMBER	DESCRIPTION	QTY.
1	KBW063-R	WEB CARRIER RAIL, RH	1
2	KBW063-L	WEB CARRIER RAIL, LH	1
3	1/2-13 X 1-1/4 UNC	HEX BOLT, GRADE 5	4
4	1/2-13 LN	LOCK NUT, NYLON INSERT	4



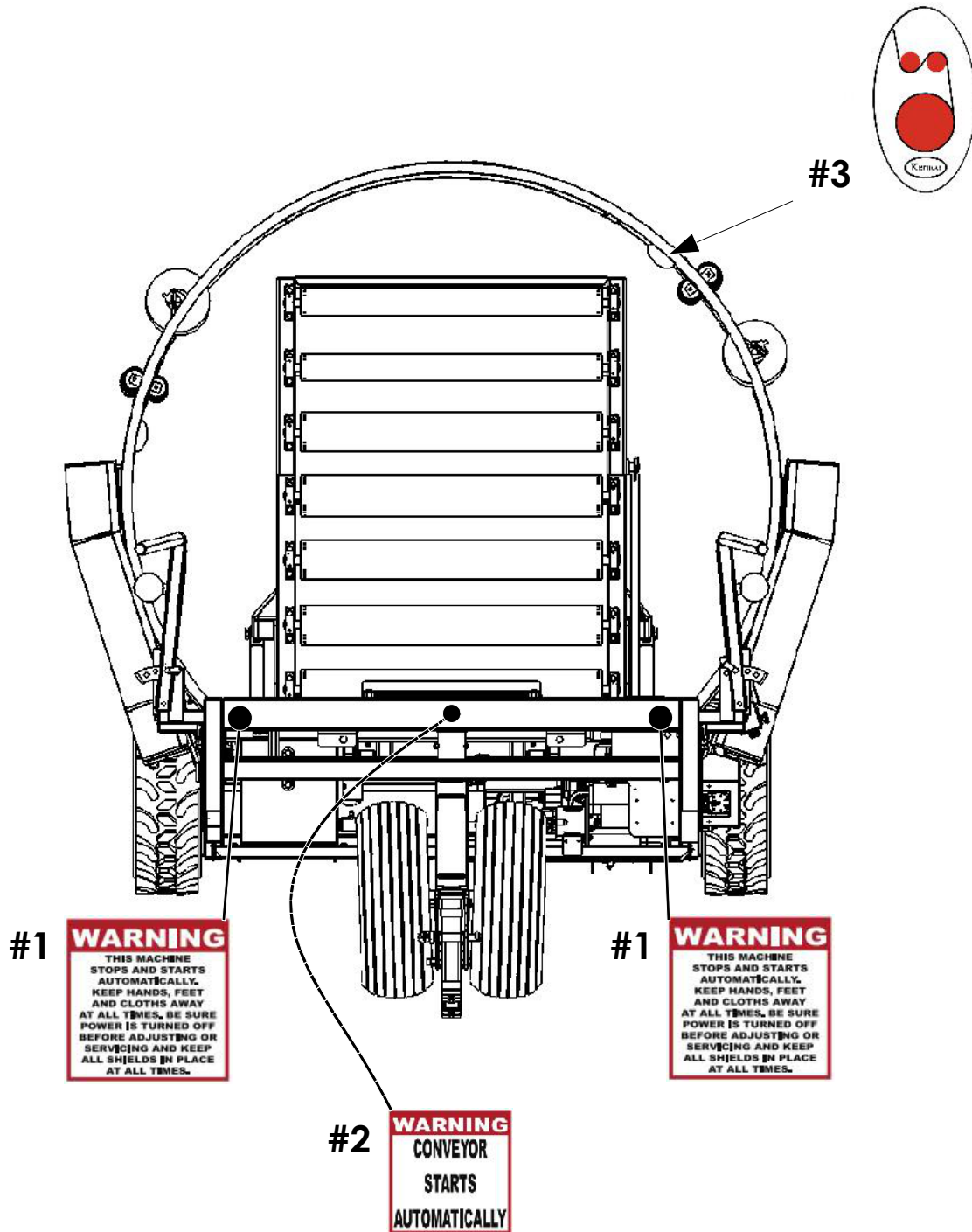
KBW016 CLEAN OUT RAM

ITEM NO.	PART NUMBER	DESCRIPTION	QTY.
1	KBW 10077	CLEAN OUT TUBE EXTENSION	1
2	KBW 10020	CLEAN OUT TUBE	1
3	KBW020	PUSH RAM BASE - SEE PAGE #75	1
4	1/4 X 3/4 RHSN	CARRIAGE BOLT, GRADE 5	8
5	1/4-20 LN	LOCK NUT, NYLON INSERT	8
6	KBW021	CLEANOUT STANDOFF	1
7	KBW 1257	SKID PAD	2
8	FLP828	SAFETY PIN, 1/2 X 3-1/2	2



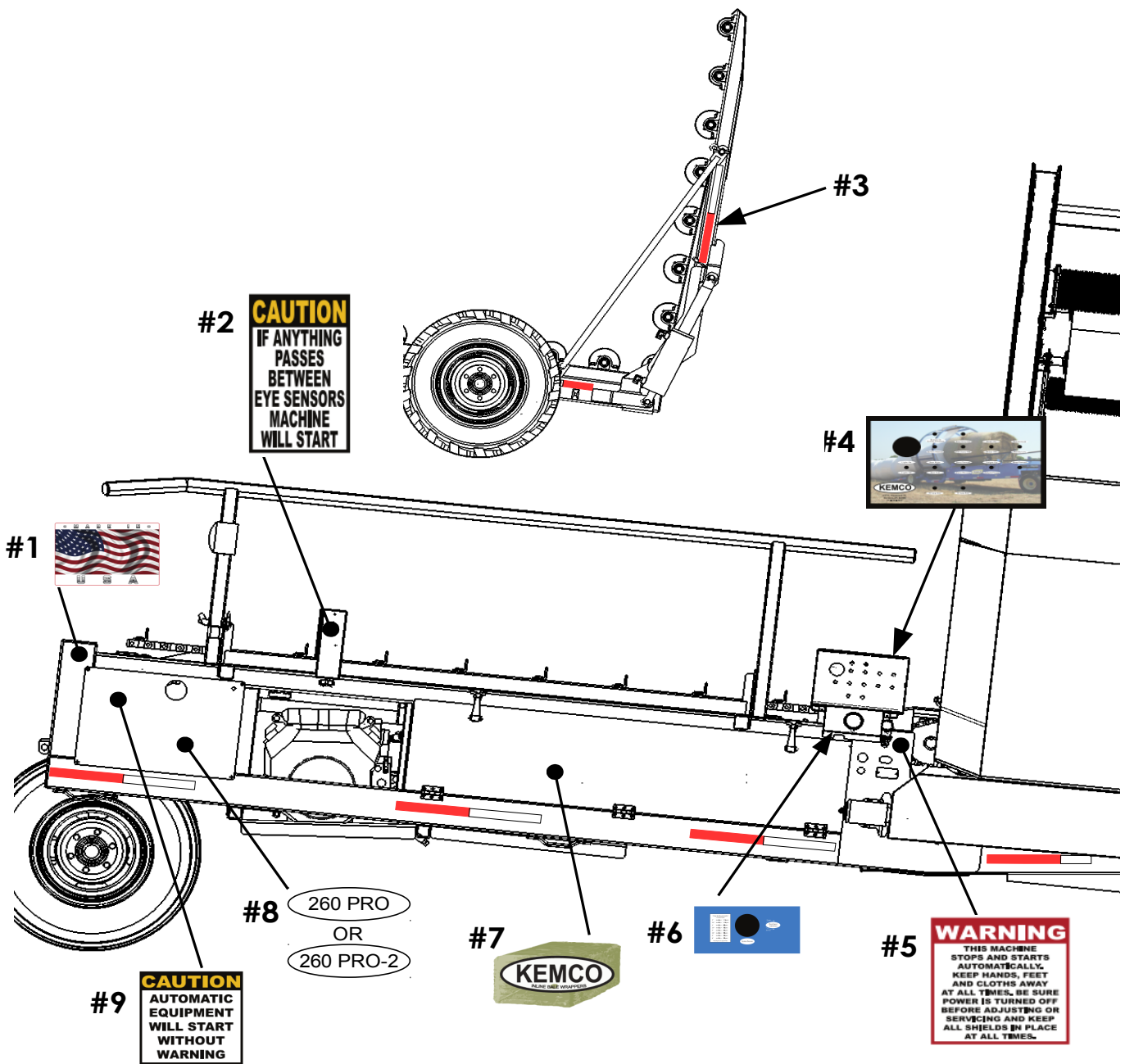
KBW020 CLEANOUT RAM BASE

ITEM NO.	PART NUMBER	DESCRIPTION	QTY.
1	KBW 1012	HOOKUP, CLEAN OUT CHAIN	1
2	KBW 1015	CLAMP, CLEAN OUT TUBE	5
3	3/8 FW	FLAT WASHER	2
4	5/16-18 LN	LOCK NUT, NYLON INSERT	2
5	06812028	COMPRESSION SPRING	1
6	09300088	QUICK RELEASE PIN	2



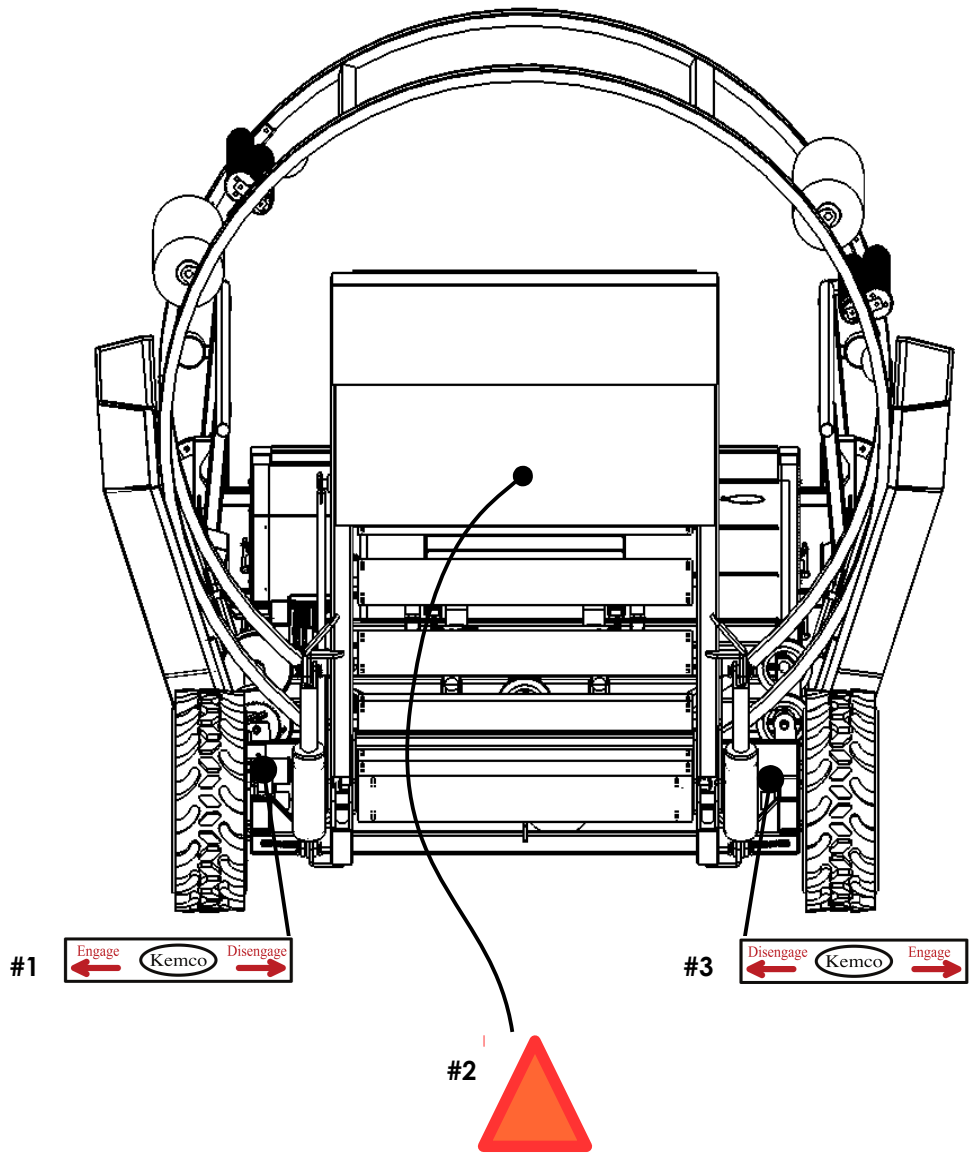
KEMCO MODEL 260
 DECALS, FRONT VIEW

ITEM NO.	PART NUMBER	DESCRIPTION	QTY
1	20009-001	W ARNING – KEEP AW AY KEEP SHIELDS IN PLACE	2
2	20007-001	W ARNING – CONVEYOR	1
3	20211-001	WRAP FILM FEEDING DIAGRAM	3



KEMCO MODEL 260
DECALS, SIDE VIEW

ITEM NO.	PART NUMBER	DESCRIPTION	QTY
1	20015-001	MADE IN USA	2
2	20006-001	CAUTION – EYE SENSORS	2
3		DOT REFLECTOR TAPE	12
4	20012-001	CONTROL BOX LABEL	1
5	20009-001	WARNING – KEEP AWAY KEEP SHIELDS IN PLACE	6
6	20023-001	TENSION VALVE LABEL	1
7	20018-001	LOGO ON SQUARE BALE	2
8		MODEL NAME (260 PRO)	2
	20250-001	MODEL NAME (260 PRO-2)	2
9	20005-001	CAUTION – AUTOMATIC EQUIPMENT	2



KEMCO MODEL 260
DECALS, REAR VIEW

ITEM NO.	PART NUMBER	DESCRIPTION	QTY
1	20022-001	DRIVE HANDLE ENGAGE	1
2	SMV1	SLOW-MOVING VEHICLE	1
3	20024-001	DUAL DRIVE HANDLE ENGAGE (260 PRO-2)	1

Printed in U.S.A.
Version 01/2015